

PLEASE CHECK WWW.MOLEX.COM FOR LATEST PART INFORMATION

Part Number: [0912360002](#)
Status: **Active**
Description: 2.54mm (.100") Pitch SIM Card Holder, With Slanted Face, 6 Circuits, With Ejector, Use With 91228

Documents:

[3D Model](#) [Product Specification PS-99020-0071 \(PDF\)](#)
[Drawing \(PDF\)](#) [RoHS Certificate of Compliance \(PDF\)](#)

Agency Certification

UL E29179

General

Product Family	Memory Card Sockets
Series	91236
Button Type	Push-Push
Comments	Angled Face
Component Type	Card Holder (Host)
Product Name	ChipSIM, SIM
Type	N/A

Physical

Card Detection Switch	N/A
Circuits (Loaded)	6
Color - Resin	Black
Durability (mating cycles max)	5,000
Ejector Button Side	Left
Entry Angle	Vertical (Top Entry)
Flammability	94V-0
Keying to Mating Part	Yes
Material - Metal	Phosphor Bronze
Material - Plating Mating	Gold
Material - Plating Termination	Nickel
Material - Resin	Polyester
PCB Mounting Side	N/A
PCB Retention	None
Packaging Type	Bag
Pitch - Mating Interface (in)	0.100 In
Pitch - Mating Interface (mm)	2.54 mm
Plating min: Mating (µin)	4
Plating min: Mating (µm)	0.1
Plating min: Termination (µin)	50.8
Plating min: Termination (µm)	1.27
Ports	1
Temperature Range - Operating	-25°C to +85°C
Termination Interface: Style	Surface Mount

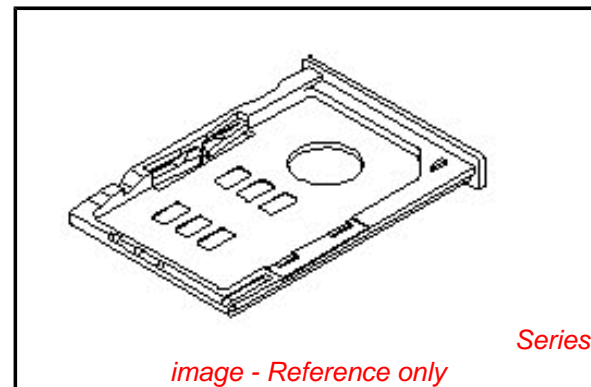
Electrical

Current - Maximum per Contact	1A
Shielded	No
Voltage - Maximum	50V

Material Info

Reference - Drawing Numbers

Product Specification	PS-99020-0071
Sales Drawing	SDA-91236



EU RoHS

**ELV and RoHS
Compliant**
**REACH SVHC
Contains SVHC: No**
**Halogen-Free
Status**

China RoHS



**Need more information on product
environmental compliance?**

Email productcompliance@molex.com
 For a multiple part number RoHS Certificate of Compliance, [click here](#)

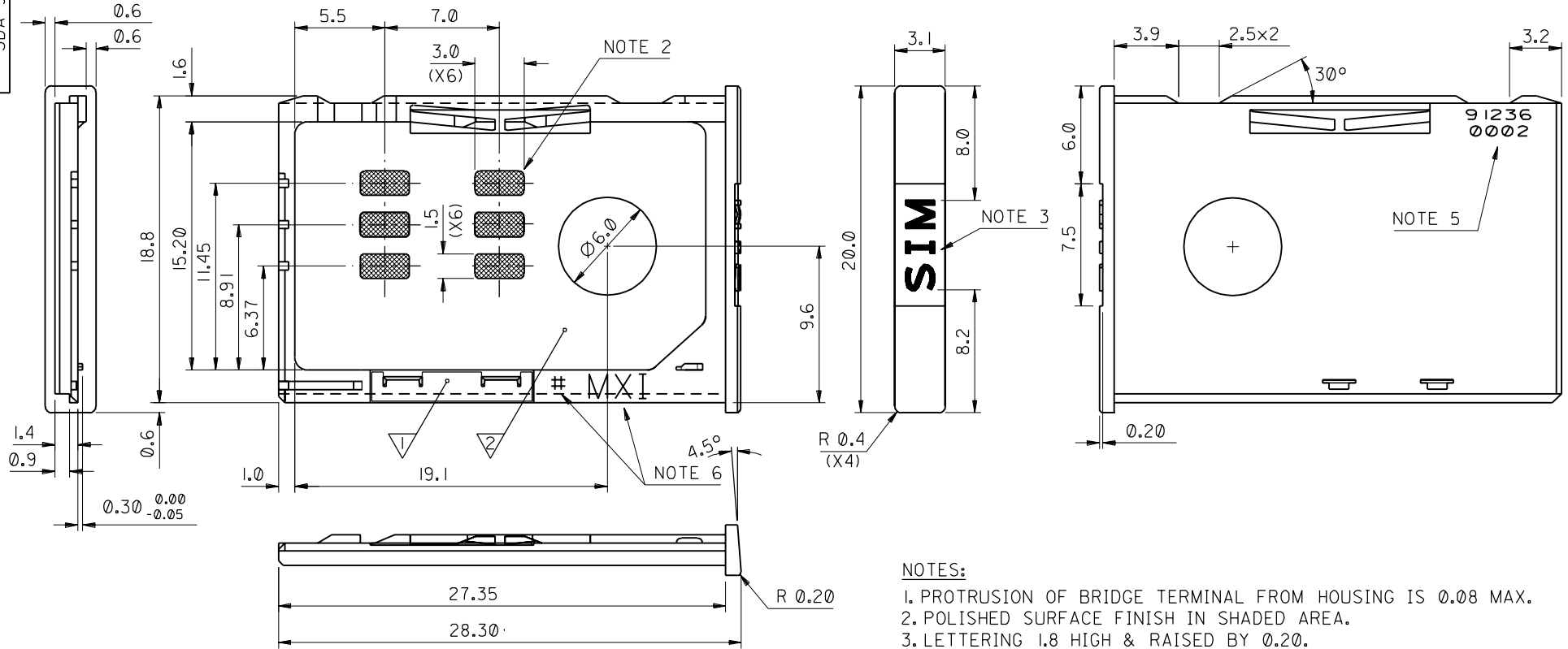
Please visit the [Contact Us](#) section for any non-product compliance questions.

Search Parts in this Series
[91236Series](#)

This document was generated on 04/13/2010

PLEASE CHECK WWW.MOLEX.COM FOR LATEST PART INFORMATION

PART NO. 91236-0002
 DWG. NO. SDA-91236



- NOTES:**
1. PROTRUSION OF BRIDGE TERMINAL FROM HOUSING IS 0.08 MAX.
 2. POLISHED SURFACE FINISH IN SHADED AREA.
 3. LETTERING 1.8 HIGH & RAISED BY 0.20.
 4. SEE PRODUCT SPECIFICATION PS-99020-0071.
 5. PART I.D. TO BE 0.8 HIGH & RELIEVED 0.1 BELOW SURFACE.
 6. MOLEX LOGO 'MXI' & CAVITY NUMBER '#' TO BE 1.0 HIGH & RAISED 0.1max ABOVE SURFACE

ITEM	COMPONENT	QTY	MATERIAL
1	TERMINAL	1	0.15 PHOSPHOR BRONZE 0.1um MIN Au OVER Pd/Ni IN CONTACT AREA
2	HOUSING	1	GF PBT, BLACK

FOR PREVIOUS DRAWING ISSUES SEE MRI.

SEE SHEET 1.
 EC NO.
 DRAWN: FDUCCAN 01/12/10
 CHK:
 APPR:

REV
 DESCRIPTION
 MAJOR
 CRITICAL

QUALITY SYMBOLS
 GENERAL TOLERANCES: (UNLESS SPECIFIED)
 SCALE 4:1
 DESIGN UNITS [X]mm []INCH
 THIRD ANGLE PROJECTION
 DRAWN BY & DATE FINDORAK 00/08/28
 CHECKED BY & DATE D.HANNON 00/08/28
 APPROVED BY & DATE M.WILHITE 00/08/28
 CAD FILENAME S91236X2.DGN
 MATERIAL NO. 91236-0002
 DRAWING NO. SDA-91236
 SHEET NO. 2 OF

DIMENSIONS: <input type="checkbox"/> mm <input type="checkbox"/> INCH <input type="checkbox"/> INCH <input type="checkbox"/> mm <input checked="" type="checkbox"/> mm ONLY		SHT REV
TITLE: CARD HOLDER		REVISE ON CAD ONLY
MATERIAL NO. 91236-0002		DRAWING NO. SDA-91236
DRAWN BY & DATE FINDORAK 00/08/28		SHEET NO. 2 OF
CHECKED BY & DATE D.HANNON 00/08/28		
APPROVED BY & DATE M.WILHITE 00/08/28		
CAD FILENAME S91236X2.DGN		
DRAFT WHERE APPLICABLE MUST REMAIN WITHIN DIMENSIONS		
THIS DRAWING CONTAINS INFORMATION THAT IS PROPRIETARY TO MOLEX INCORPORATED AND SHOULD NOT BE USED WITHOUT WRITTEN PERMISSION.		SIZE B