

10/100 BASE-T SINGLE PORT SMT TRANSFORMER

P/N: 24ST8515A-2 DATA SHEET

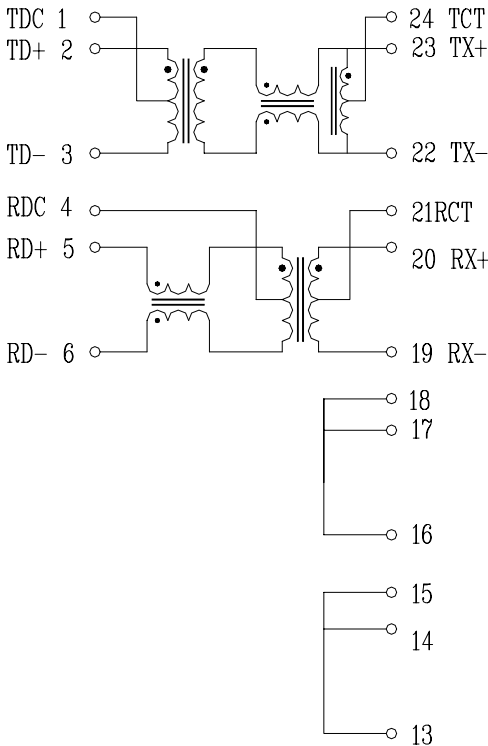
Feature



- For Fast Ethernet to Gigabit Ethernet Interchangeable Designs.
- Meets IEEE802.3 and ANSI X3.263 standards.
- Withstands reflow soldering temperature up to 235°.
- Operating temperature range: 0°C to +70°C.
- Storage temperature range: -25°C to +125°C.

Electrical Specifications @ 25°C									
Part Number	Turns Ratio (±5%)		OCL (uH Min) @100KHz/0.1Vrms with 8mA/ DC Bias	L.L (uH Max)	C _{www} (pF Max)	Rise Time 10-90% (nS TYP)	Voltage Isolation (Vrms)		
	TX	RX							
24ST8515A-2	1CT:1	1CT:1CT	350	0.6	28	2.5	1500		
Continue									
Part Number	Insertion Loss (dB Max)	Return Loss (dB Min)			Cross talk (dB Min)		DCMR (dB Min) TX/RX		
		0.3-100MHz	30MHz	60MHz	80MHz	0.3-60MHz	60-80MHz	0.3-60MHz	60-100MHz
24ST8515A-2	-1.0	-16	-12	-12	-40	-30	-30/-35	-30/-35	

Schematic



Mechanical

