

**PLEASE CHECK WWW.MOLEX.COM FOR LATEST PART INFORMATION**

**Part Number:** [0345860001](#)  
**Status:** **Active**  
**Overview:** [mx123 sealed connection systems](#)  
**Description:** MX123™ 0.64mm (.025") Grommet Seal Plug

**Documents:**

[Drawing \(PDF\)](#) [RoHS Certificate of Compliance \(PDF\)](#)  
[Product Specification PS-34566-0000 \(PDF\)](#)

**General**

Product Family	Accessories
Series	<a href="#">34586</a>
Component Type	Voiding Key
Overview	<a href="#">mx123 sealed connection systems</a>
Product Name	MX123

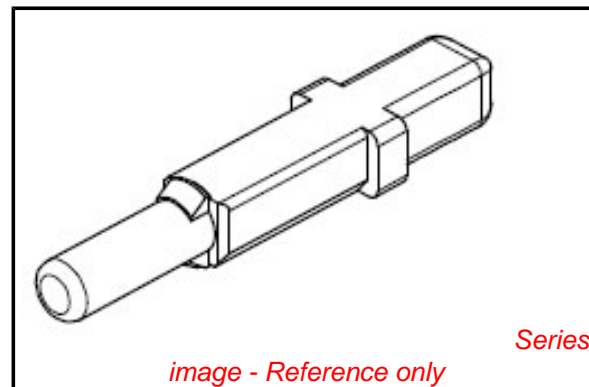
**Physical**

Circuits (Loaded)	0
Color - Resin	Gray
Lock to Mating Part	No
Material - Resin	Nylon Alloy
Packaging Type	Bag

**Material Info**

**Reference - Drawing Numbers**

Packaging Specification	PK-31300-348
Product Specification	PS-34566-0000
Sales Drawing	SD-34586-001



**EU RoHS**

**ELV and RoHS  
Compliant**  
**REACH SVHC  
Contains SVHC: No**  
**Halogen-Free  
Status**

**China RoHS**



**Need more information on product  
environmental compliance?**

Email [productcompliance@molex.com](mailto:productcompliance@molex.com)  
 For a multiple part number RoHS Certificate of Compliance, [click here](#)

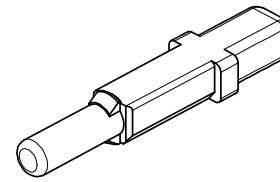
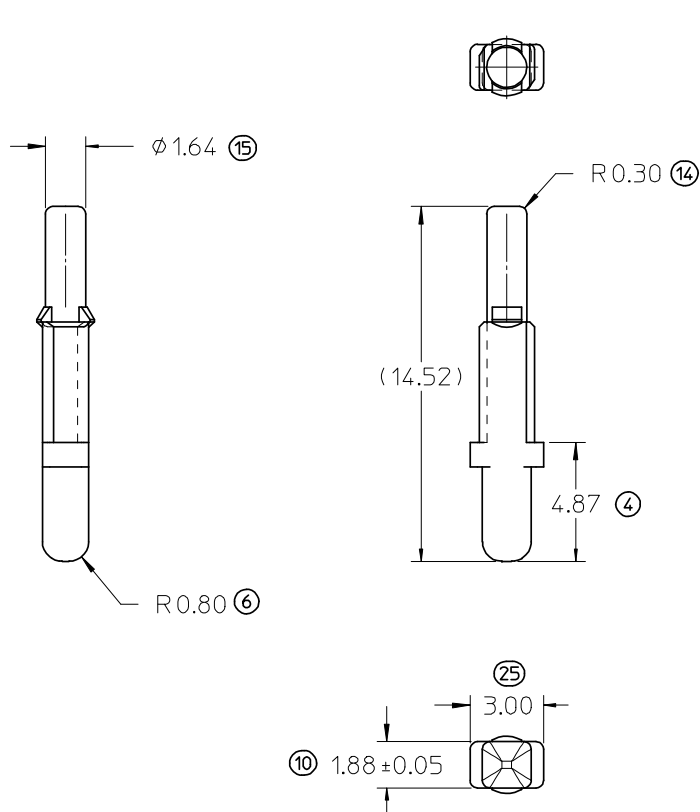
Please visit the [Contact Us](#) section for any non-product compliance questions.

**Search Parts in this Series**

[34586Series](#)

**Use With**

MX123 Female Receptacle Housing [34566](#) ,  
[34576](#)



NOTES: UNLESS OTHERWISE SPECIFIED

1. MATERIAL:

- A. RESIN:
  - 1. NYLON BLEND
  - 2. COLOR: STONE GREY

2. DESIGN - GENERAL:

- A. THIS IS A 100% CAD GENERATED PART. THE CAD MATHEMATICAL DATA IS THE MASTER FOR THIS PART. FOR DIMENSIONAL OR ANY SPECIAL TOOLING INFORMATION NOT SHOWN ON THIS DRAWING, ANALYZE THE CAD MODEL.
- B. TOLERANCES:
  - a. LINEAR
    - 0.X ± 0.30
    - 0.XX ± 0.10
    - 0.XXX ± 0.10
  - b. ANGULAR
    - X° ± 3°
  - c. 0.2 | AB

3. SYSTEM REQUIREMENTS:

- A. THIS GROMMET SEAL PLUG MATES TO ALL HRNS CONN ASSY PART NUMBERS IDENTIFIED IN MOLEX SD-34566-001 AND SD-34576-001
- B. WHEN TESTED TO SAE/USCAR-2 REV: 3, APRIL 2001, OR GMW #3191, AUGUST 22, 2000 (DRAFT).
  - 1. GMW #3191 AUGUST 22, 2000 (DRAFT); TEMPERATURE CLASS 3, SEALING CLASS 1, VIBRATION CLASS 2
  - 2. RESTRICTED AND REPORTABLE CHEMICALS PER GMW #3059, REV: D AUGUST 2002
  - 3. MX123 0.64 GROMMET SEAL PLUG USER FORCES
    - a. INSERTION FORCE INTO LOCK POSITION: <= 40N
    - b. REMOVAL FORCE FROM LOCK POSITION: >= 5N AND <= 40N

EC NO: UAU2008-0267 DRWN:DKRAWCZ 2008/01/22 CHKD: 2008/01/22 APPR:VKOSHY 2008/01/23	QUALITY SYMBOLS	GENERAL TOLERANCES (UNLESS SPECIFIED)	SCALE 5:1	DESIGN UNITS METRIC	THIRD ANGLE PROJECTION	REVISE ON CAD ONLY
	DESCRIPTION A3	4 PLACES ± --- INCH 3 PLACES ± --- INCH 2 PLACES ± --- INCH 1 PLACE ± --- INCH	DIMENSION STYLE MM ONLY		TITLE	
		ANGULAR ± --- ° DRAFT WHERE APPLICABLE MUST REMAIN WITHIN DIMENSIONS	DRAWN BY JSZYMKOW DATE 2004/01/23		MX123 0.64 GROMMET SEAL PLUG	
			CHECKED BY YLEPOTTI DATE 2004/01/23		MOLEX MOLEX INCORPORATED	
			APPROVED BY YLEPOTTI DATE 2004/01/23	MATERIAL NO. 34586-0001	DOCUMENT NO. SD-34586-001	SHEET NO. 1 OF 1
			THIS DRAWING CONTAINS INFORMATION THAT IS PROPRIETARY TO MOLEX INCORPORATED AND SHOULD NOT BE USED WITHOUT WRITTEN PERMISSION			