

PLEASE CHECK WWW.MOLEX.COM FOR LATEST PART INFORMATION

Part Number: [0432751024](#)
Status: **Active**
Overview: [flat blade](#)
Description: Flat Blade Appliance Timer Crimp Housing, 24 Circuit, Natural (White Translucent) Color

Documents:

[3D Model](#) [RoHS Certificate of Compliance \(PDF\)](#)
[Drawing \(PDF\)](#)

Agency Certification

CSA	LR19980
TUV	J9551809
UL	E29179

General

Product Family	Crimp Housings
Series	43275
Overview	flat blade
Product Name	Flat Blade

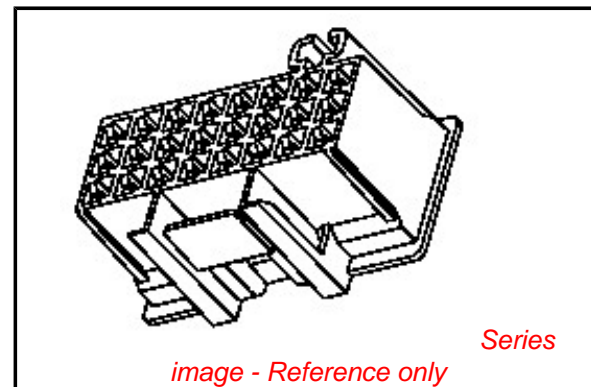
Physical

Circuits (maximum)	24
Color - Resin	Natural
Flammability	94V-2
Gender	Female
Glow-Wire Compliant	No
Material - Resin	Nylon
Number of Rows	3
Packaging Type	Bag
Panel Mount	No
Pitch - Mating Interface (in)	0.220 In
Pitch - Mating Interface (mm)	5.59 mm
Stackable	No
Temperature Range - Operating	-40°C to +75°C

Material Info

Reference - Drawing Numbers

Packaging Specification	PK-43275-002
Sales Drawing	SD-43275-1024



EU RoHS

ELV and RoHS Compliant
REACH SVHC
 Not Reviewed
Halogen-Free Status

Not Reviewed

China RoHS



Need more information on product environmental compliance?

Email productcompliance@molex.com
 For a multiple part number RoHS Certificate of Compliance, [click here](#)

Please visit the [Contact Us](#) section for any non-product compliance questions.

Search Parts in this Series

[43275Series](#)

Mates With

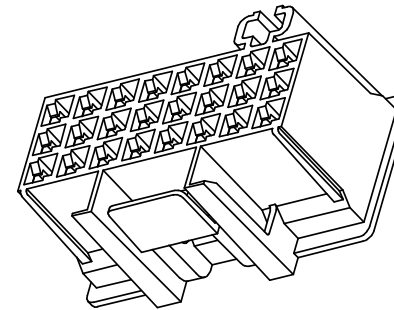
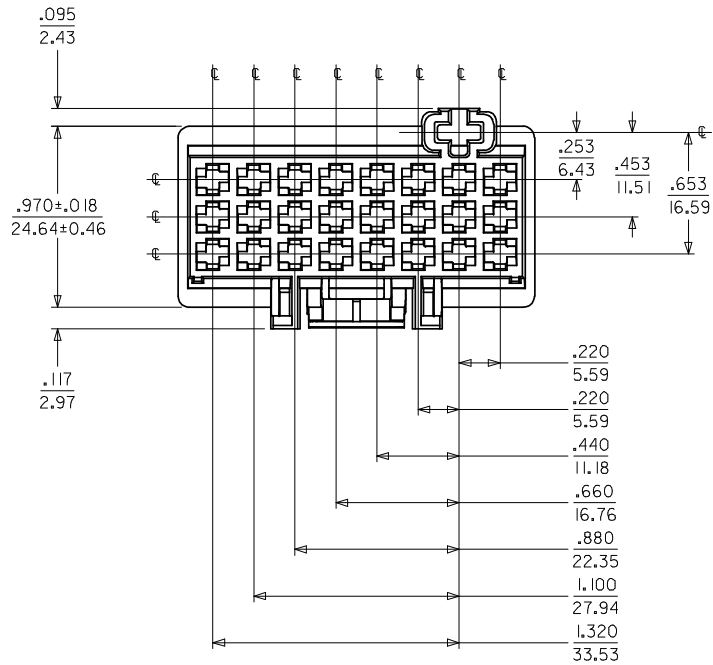
[Appliance Timer](#)

Use With

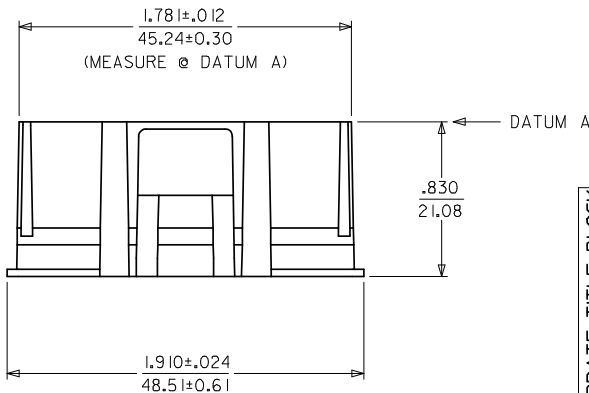
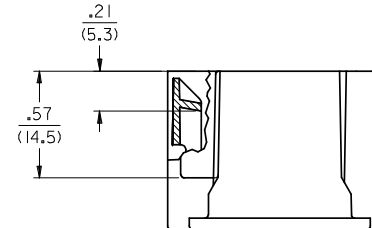
[43375 Female Terminals](#)

NOTES:

1. MATERIAL: NYLON PA66, UL94V-2, COLOR: NATURAL
2. FINISH: NOT APPLICABLE
3. PRODUCT SPECIFICATION: PSX-44441-9999
4. PACKAGING INFORMATION: PK-43275-002
5. USE TERMINALS: 43375-*,
6. SEE SMES-43275-0024 OR SMES-43275-9024 FOR THE DESCRIPTION OF THE MATING INTERFACE.
7. PARTS CONFORM TO CLASS 'B' REQUIREMENT OF COSMETIC SPECIFICATION PS-45499-002.



43275-1024



UPDATE TITLE BLOCK EC NO: UCP2007-2637 DRWN:PRIJDDER 2008/06/18 CHKD:AEHLHAG 2008/06/18 APPR:FSMLTH 2008/06/25	QUALITY SYMBOLS ▽=0 ▽=0	GENERAL TOLERANCES (UNLESS SPECIFIED)		DIMENSION STYLE INCH ONLY		SCALE 2:1	DESIGN UNITS INCH	THIRD ANGLE PROJECTION
		4 PLACES ± --- ± --- 3 PLACES ± --- ± .010 2 PLACES ± 0.25 ± .010 1 PLACE ± 0.25 ± --- ANGULAR ± 1/2°	mm INCH DRAWN BY DATE KBP 94/03/10 CHECKED BY DATE KBP 94/03/10 APPROVED BY DATE RAS 94/03/10	TITLE CONNECTOR HOUSING 24 CIRCUITS APPLIANCE TIMER - TPA				
DRAFT WHERE APPLICABLE MUST REMAIN WITHIN DIMENSIONS	MATERIAL NO. 43275-1024		DOCUMENT NO. SD-43275-1024		SHEET NO. 1 OF 00			
H1	THIS DRAWING CONTAINS INFORMATION THAT IS PROPRIETARY TO MOLEX INCORPORATED AND SHOULD NOT BE USED WITHOUT WRITTEN PERMISSION							