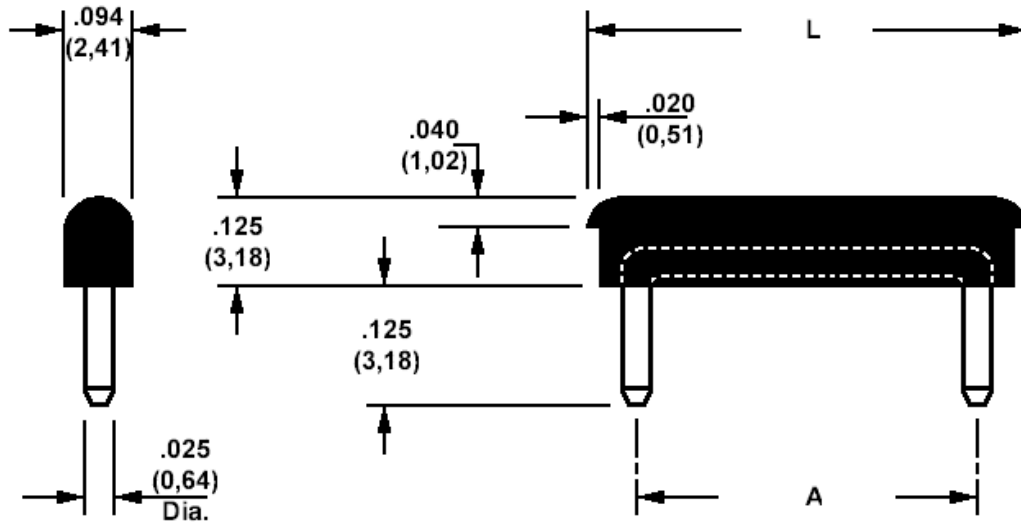


461-2251 Shorting Link, insulated, low profile, .025 (0,64) diameter pins (For non-insulated version see 360-0004)



How to order code

461-2251-XX-03-YY

Basic Part No XX= A dimension, YY = Colour

DIMENSIONS		
Dash No (XX)	A Dimension	L Dimension
-01	.200 (5,08)	.333 (8,48)
-02	.250 (6,35)	.383 (9,75)
-03	.300 (7,62)	.433 (11,02)
-04	.400 (10,16)	.533 (13,56)
-05	.500 (12,70)	.633 (16,10)

MATERIALS		
Component	Material	Finish(-03)
Pin	Brass	Gold over Nickel
Insulator	Polypropylene	Select colour (see below)

COLOUR (YY)		
-10	-12	-16
Black	Red	Blue