

PLEASE CHECK WWW.MOLEX.COM FOR LATEST PART INFORMATION

Part Number: [0736510133](#)
Status: **Active**
Overview: [hdm](#)
Description: 2.00mm (.079") Pitch HDM® Board-to-Board Daughterboard Power Module, Right Angle, SMC, 3-Blade Module, 3 Circuits

Documents:

[3D Model](#) [Packaging Specification \(PDF\)](#)
[Drawing \(PDF\)](#) [RoHS Certificate of Compliance \(PDF\)](#)

Agency Certification

CSA LR19980
 UL E29179

General

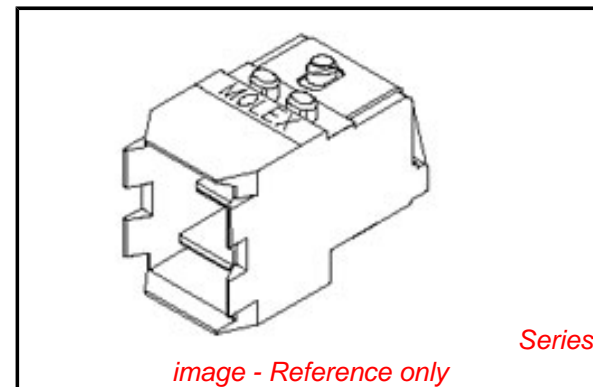
Product Family Backplane Connectors
 Series [73651](#)
 Application Daughtercard
 Component Type Power Receptacle
 Overview [hdm](#)
 Product Name HDM®
 Style N/A

Physical

Circuits (Loaded) 3
 Circuits (maximum) 3
 Durability (mating cycles max) 250
 First Mate / Last Break No
 Flammability 94V-0
 Guide to Mating Part No
 Keying to Mating Part None
 Number of Columns 1
 Number of Pairs Open Pin Field
 Number of Rows 3
 Orientation Right Angle
 PC Tail Length (in) 0.079 In
 PC Tail Length (mm) 2.00 mm
 PCB Locator Yes
 PCB Retention None
 PCB Thickness Recommended (in) 0.062 In
 PCB Thickness Recommended (mm) 1.60 mm
 Packaging Type Tube
 Pitch - Mating Interface (in) 0.157 In
 Pitch - Mating Interface (mm) 4.00 mm
 Pitch - Term. Interface (in) 0.118 In
 Pitch - Term. Interface (mm) 3.00 mm
 Polarized to PCB No
 Stackable No
 Surface Mount Compatible (SMC) No
 Temperature Range - Operating -55°C to +105°C

Electrical

Current - Maximum per Contact 15A
 Data Rate 1.0 Gbps
 Real Signals (per 25mm) 19
 Shielded No



EU RoHS

**ELV and RoHS
 Compliant**
**REACH SVHC
 Not Reviewed**
**Halogen-Free
 Status
 Not Reviewed**

China RoHS



**Need more information on product
 environmental compliance?**

Email productcompliance@molex.com
 For a multiple part number RoHS Certificate of
 Compliance, [click here](#)

Please visit the [Contact Us](#) section for any
 non-product compliance questions.

Search Parts in this Series

[73651Series](#)

Mates With

[73656 HDM® Board-to-Board Backplane
 Power Module](#)

Voltage - Maximum

500V

Material Info

Reference - Drawing Numbers

Packaging Specification

PK-70873-0820

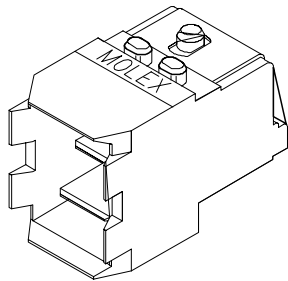
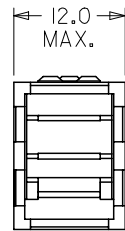
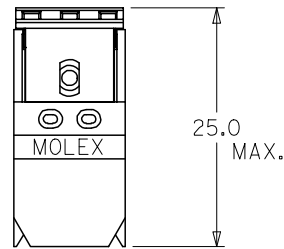
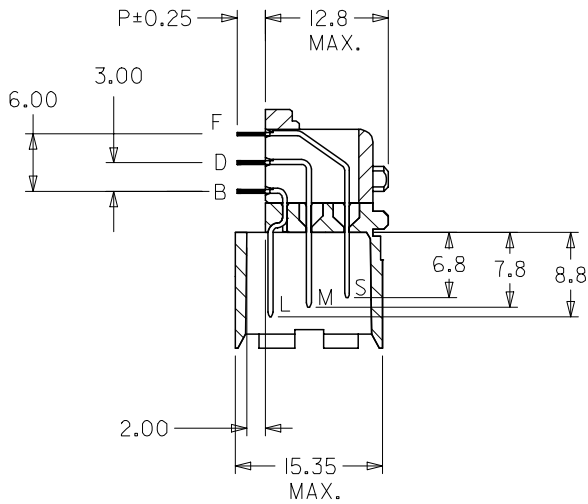
Sales Drawing

SDA-73651-****

HDM and High Density Metric are trademarks of Amphenol Corporation

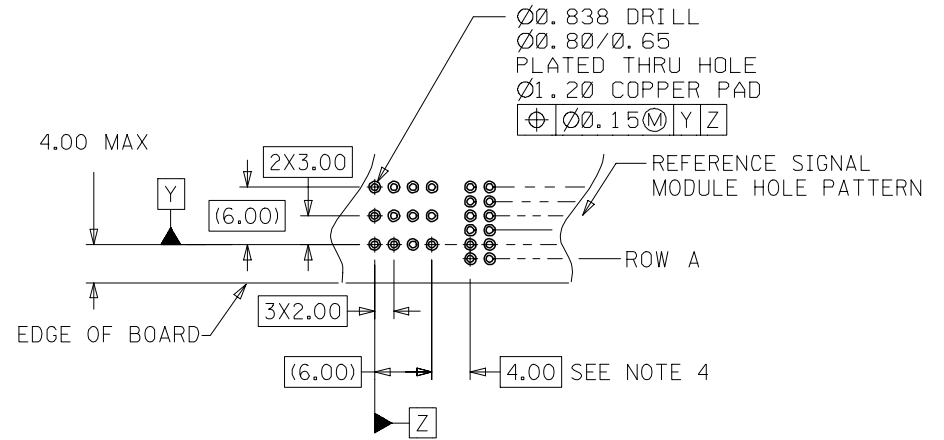
This document was generated on 05/14/2010

PLEASE CHECK WWW.MOLEX.COM FOR LATEST PART INFORMATION



NOTES:

1. MATERIALS:
HOUSING - LIQUID CRYSTAL POLYMER (LCP), GLASS-FILLED, UL 94V-0, COLOR BLACK
TERMINAL - COPPER ALLOY
2. FINISH:
ASSEMBLIES WITH PRESSFIT TAILS:
0.76 MINIMUM SELECTIVE GOLD (Au) IN CONTACT AREA,
SELECTIVE TIN/LEAD (Sn/Pb) ON PC TAILS
OVER NICKEL (Ni) UNDERPLATE OVERALL.
ASSEMBLIES WITH SOLDER TAILS:
0.76 MINIMUM SELECTIVE GOLD (Au) IN CONTACT AREA,
SELECTIVE TIN (Sn) ON PC TAILS
OVER NICKEL (Ni) UNDERPLATE OVERALL.
3. THIS PART CONFORMS TO MOLEX PRODUCT SPECIFICATION PS-73670-9999.
4. THIS DIMENSION MUST BE A MULTIPLE OF 4.00mm.
5. DIMENSIONS ARE IN MILLIMETERS AND ARE FOR LAYOUT PURPOSES ONLY.
6. DIMENSIONS AND TOLERANCES SUBJECT TO CHANGE WITHOUT NOTICE.

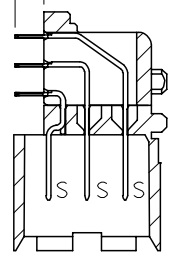


PCB LAYOUT: COMPONENT SIDE
RECOMMENDED PCB THICKNESS: 1.60 MIN
(FOR SOLDER TAIL AND PRESS FIT)

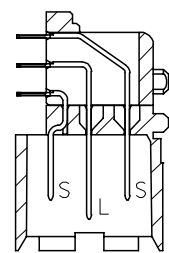
MODIFY FINISH EC NO: UCP2007-1348 TDRWNMSIBARRA 2006/12/29 CHKD:BBARKER 2007/01/04 APPR:SMILLER 2007/01/05	QUALITY SYMBOLS ▽=0 ▽=0	GENERAL TOLERANCES (UNLESS SPECIFIED)		DIMENSION STYLE MM ONLY		SCALE 2:1	DESIGN UNITS METRIC	THIRD ANGLE PROJECTION	
			mm	INCH	DRAWN BY JRP	DATE 199/07/22	TITLE SALES ASSEMBLY HDM DAUGHTERCARD POWER MODULE		
					CHECKED BY PAR	DATE 1996/07/22			
					APPROVED BY CAB	DATE 1996/07/22	MOLEX INCORPORATED		
		DRAFT WHERE APPLICABLE MUST REMAIN WITHIN DIMENSIONS		MATERIAL NO. SEE SHEET 2		DOCUMENT NO. SDA-73651-****		SHEET NO. 1 OF 2	

MATING LENGTH EXAMPLES

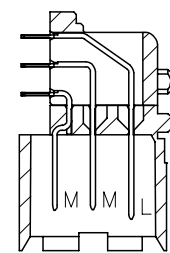
DIM. "P" ±0.25



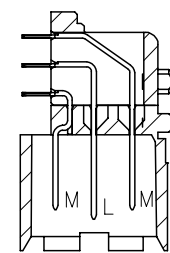
73651-XX10
TYPE SSS



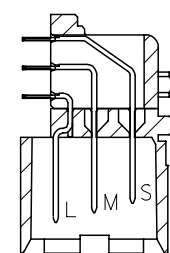
73651-XX16
TYPE SLS



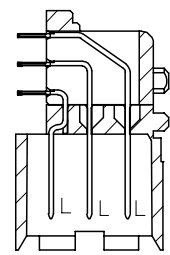
73651-XX25
TYPE MML



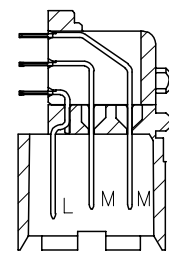
73651-XX27
TYPE MLM



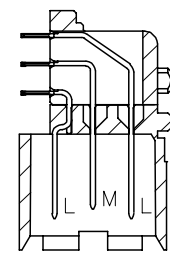
73651-XX33
TYPE LMS



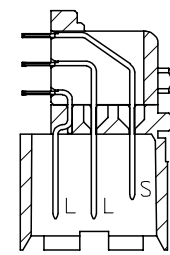
73651-XX38
TYPE LLL



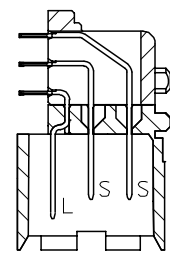
73651-XX34
TYPE LMM



73651-XX35
TYPE LML



73651-XX36
TYPE LLS



73651-XX30
TYPE LSS

MATERIAL NUMBER ASSIGNMENT

TAIL TYPE
0 = SOLDER
1 = PRESS FIT

73651- * * * *

PC TAIL LENGTH

CODE	DIM "P"
0	2.00
1	2.50
2	3.00
3	3.50
4	4.00
5	2.75

MATING LENGTH

10 = SSS	20 = MSS	30 = LSS
11 = SSM	21 = MSM	31 = LSM
12 = SSL	22 = MSL	32 = LSL
13 = SMS	23 = MMS	33 = LMS
14 = SMM	24 = MMM	34 = LMM
15 = SML	25 = MML	35 = LML
16 = SLS	26 = MLS	36 = LLS
17 = SLM	27 = MLM	37 = LLM
18 = SLL	28 = MLL	38 = LLL

PRESSFIT TAILS AVAILABLE IN THESE LENGTHS ONLY

UPDATE BORDER EC NO: UCP2007-1348 TTD:RWMSI:BARRA 2006/12/29 CHKD:BBARKER 2007/01/04 APPR:SMILLER 2007/01/05	QUALITY SYMBOLS	GENERAL TOLERANCES (UNLESS SPECIFIED)	DIMENSION STYLE	SCALE	DESIGN UNITS	THIRD ANGLE PROJECTION
	▽=0 ▽=0	mm INCH 4 PLACES ± --- ± --- 3 PLACES ± --- ± --- 2 PLACES ± 0.10 ± --- 1 PLACE ± 0.25 ± --- ANGULAR ±1/2°	MM ONLY	2:1	METRIC	
	DESCRIPTION	DRAWN BY	DATE	TITLE		
	REV	JRP	199/07/22	SALES ASSEMBLY HDM DAUGHTERCARD POWER MODULE		
	CHECKED BY	DATE	MOLEX INCORPORATED			
	PAR	1996/07/22	DOCUMENT NO. SDA-73651-****			
	APPROVED BY	DATE	SHEET NO. 2 OF 2			
	CAB	1996/07/22	THIS DRAWING CONTAINS INFORMATION THAT IS PROPRIETARY TO MOLEX INCORPORATED AND SHOULD NOT BE USED WITHOUT WRITTEN PERMISSION			
	MATERIAL NO.	SEE CHART				

