

**PLEASE CHECK WWW.MOLEX.COM FOR LATEST PART INFORMATION**

**Part Number:** [0783950002](#)  
**Status:** **Active**  
**Description:** 0.80mm(.031"), 1.27mm(.050") Micro SAS Receptacle, Right Angle, SMT, 0.76µm (30µ") Gold (Au) Plating, 25 Circuits, for 1.20mm (.039") to 1.60(.063") PCB Thickness, Halogen free, Lead free

**Documents:**

[3D Model](#) [RoHS Certificate of Compliance \(PDF\)](#)  
[Drawing \(PDF\)](#)

**Agency Certification**

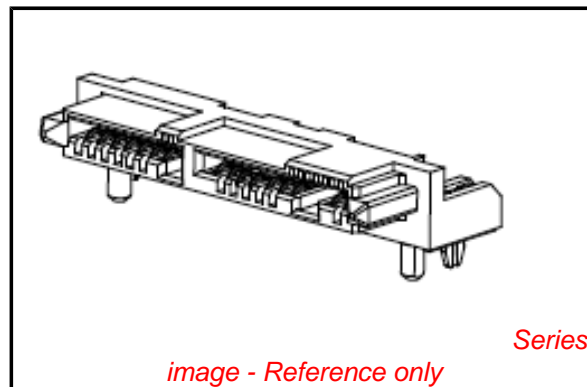
CSA LR19980  
 UL E29179

**General**

Product Family I/O Connectors  
 Series [78395](#)  
 Application Board-to-Board  
 Component Type Receptacle  
 Product Name Micro SAS  
 Type N/A

**Physical**

Boot Color N/A  
 Circuits (Loaded) 25  
 Circuits (maximum) 25  
 Circuits Detail Signal 14, Power 9, Sideband 2  
 Color - Resin Black  
 Durability (mating cycles max) 500  
 Flammability 94V-0  
 Gender Female  
 Keying to Mating Part Yes  
 Lock to Mating Part None  
 Material - Metal Copper Alloy  
 Material - Plating Mating Gold  
 Material - Plating Termination Tin  
 Material - Resin High Temperature Thermoplastic  
 Number of Rows 2  
 Orientation Right Angle  
 PCB Locator Yes  
 PCB Retention Yes  
 PCB Thickness Recommended (in) 0.063 In  
 PCB Thickness Recommended (mm) 1.60 mm  
 Packaging Type Tray  
 Panel Mount Yes  
 Pitch - Mating Interface (in) 0.031 In, 0.050 In  
 Pitch - Mating Interface (mm) 0.80 mm, 1.27 mm  
 Plating min: Mating (µin) 30  
 Plating min: Mating (µm) 0.76  
 Plating min: Termination (µin) 100  
 Plating min: Termination (µm) 2.54  
 Polarized to Mating Part Yes  
 Polarized to PCB Yes  
 Ports 2  
 Temperature Range - Operating 0°C to +55°C  
 Termination Interface: Style Surface Mount



**EU RoHS**

**ELV and RoHS  
 Compliant**  
**REACH SVHC  
 Contains SVHC: No**  
**Halogen-Free  
 Status  
 Not Reviewed**

**China RoHS**



**Need more information on product  
 environmental compliance?**

Email [productcompliance@molex.com](mailto:productcompliance@molex.com)  
 For a multiple part number RoHS Certificate of Compliance, [click here](#)

Please visit the [Contact Us](#) section for any non-product compliance questions.

**Search Parts in this Series**

[78395Series](#)

**Mates With**

[78394](#) , [78528](#) Micro SAS Plugs

Waterproof / Dustproof	No
Wire Size AWG	N/A

**Electrical**

Current - Maximum per Contact	1.5A
Voltage - Maximum	30V

**Solder Process Data**

Duration at Max. Process Temperature (seconds)	10
Lead-free Process Capability	Reflow Capable (SMT only)
Max. Cycles at Max. Process Temperature	1
Process Temperature max. C	260

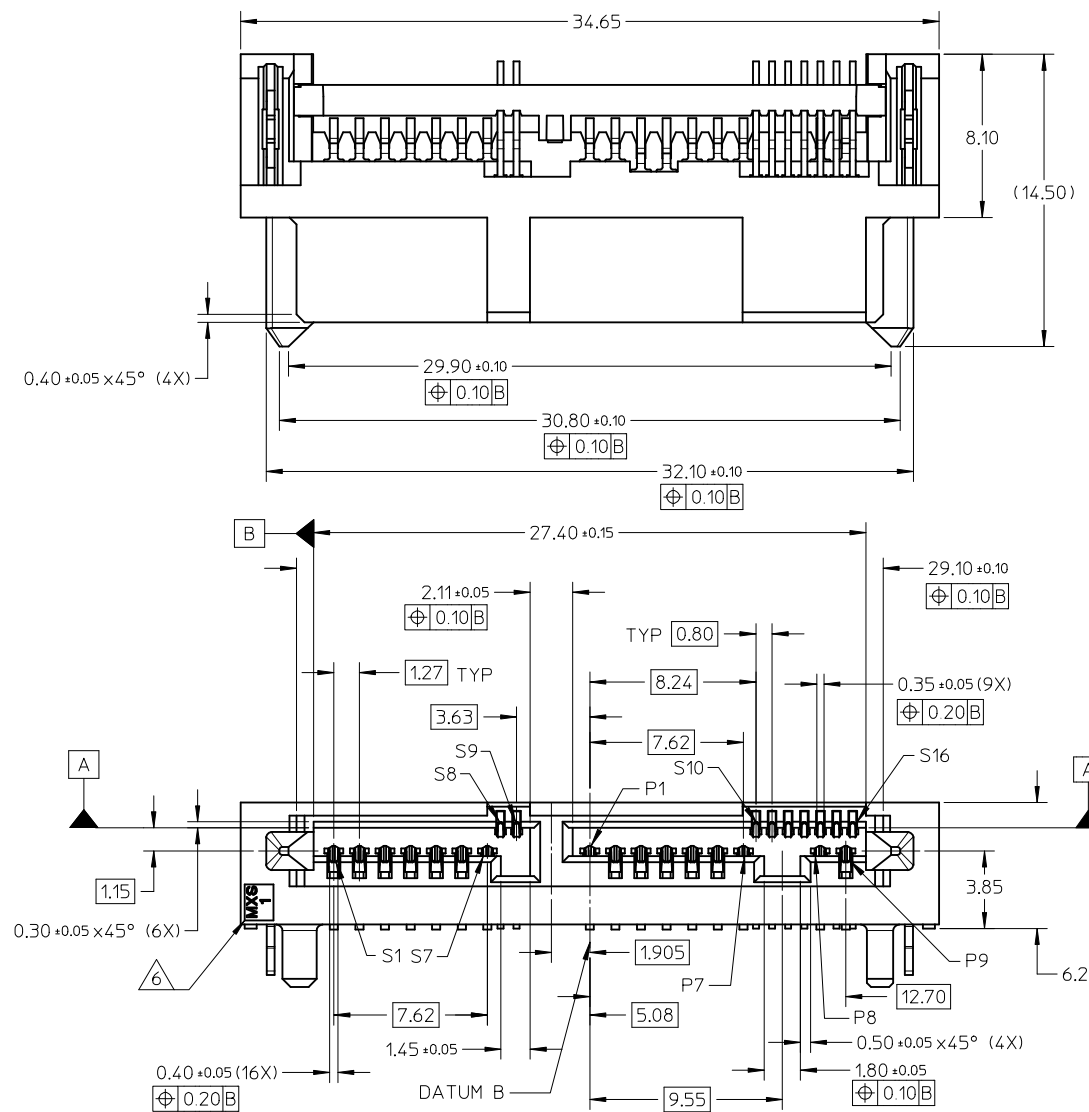
**Material Info****Reference - Drawing Numbers**

Sales Drawing	SD-78395-001
---------------	--------------

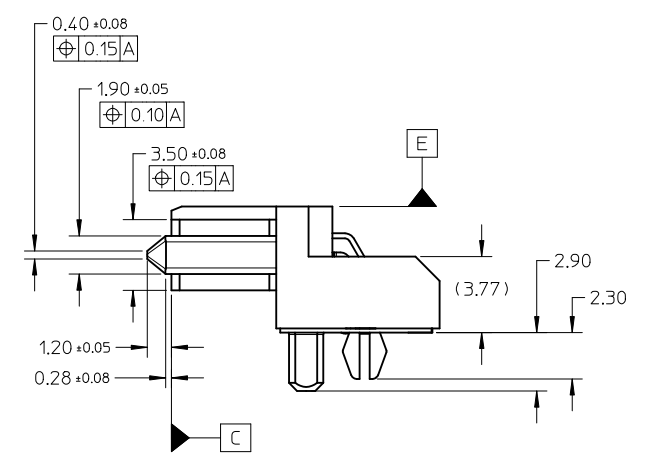
This document was generated on 05/17/2010

**PLEASE CHECK [WWW.MOLEX.COM](http://WWW.MOLEX.COM) FOR LATEST PART INFORMATION**

10 9 8 7 6 5 4 3 2 1

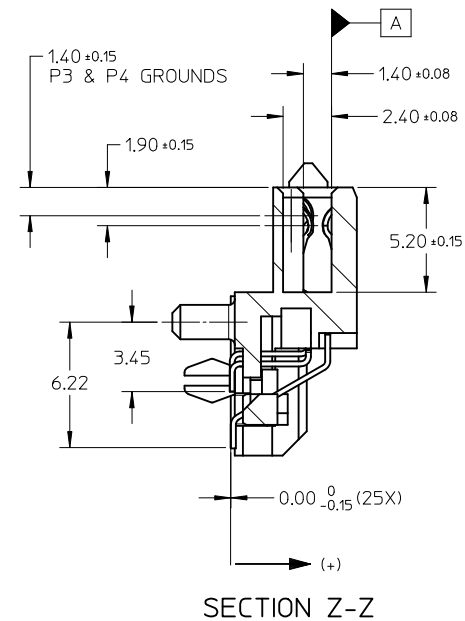
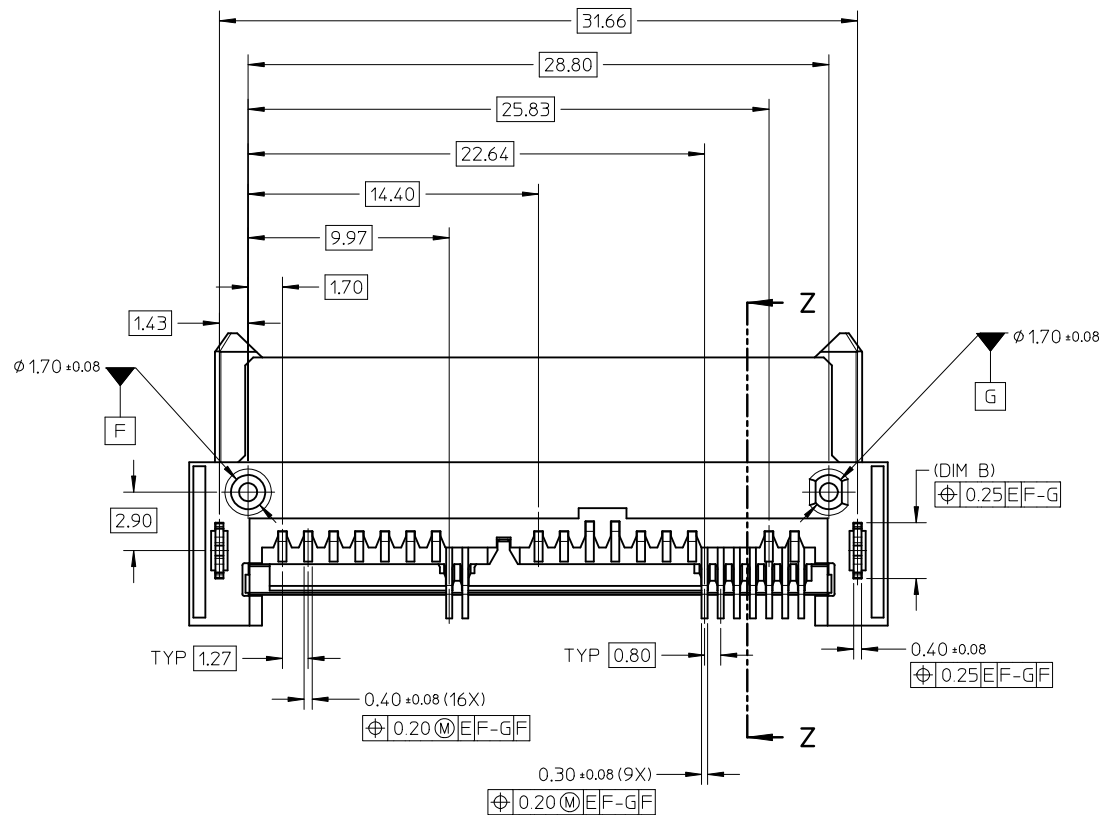


- NOTES:
- MATERIAL : LCP, GLASS FILLED, UL 94V-0, BLACK  
TERMINAL/FORKLOCK : COPPER ALLOY
  - FINISHES :  
TERMINAL : 0.76µm MIN. SELECTIVE GOLD OVER  
1.27µm MIN. NICKEL UNDERPLATE  
: 2.54µm MIN. TIN OVER  
1.27µm MIN. NICKEL UNDERPLATE  
FORKLOCK : 2.54µm MIN. TIN OVER  
1.27µm MIN. NICKEL UNDERPLATE
  - PRODUCT SPECIFICATION PS-78395-001
  - PACKAGING SPECIFICATION : TRAY
  - MATES WITH : MOLEX MICRO SAS PLUG
  - MOLEX LOGO LOCATED APPROXIMATELY AS SHOWN
  - THIS PRODUCT IS COMPLIANT TO RoHS DIRECTIVE WITH THE FOLLOWING BANNED SUBSTANCES - LEAD, MERCURY, CADMIUM, HEXAVALENT CHROMIUM, POLYBROMINATED BIPHENYLS AND POLYBROMINATED DIPHENYLS ETHERS.
  - NON FUNCTIONAL CORING MAY VARY.



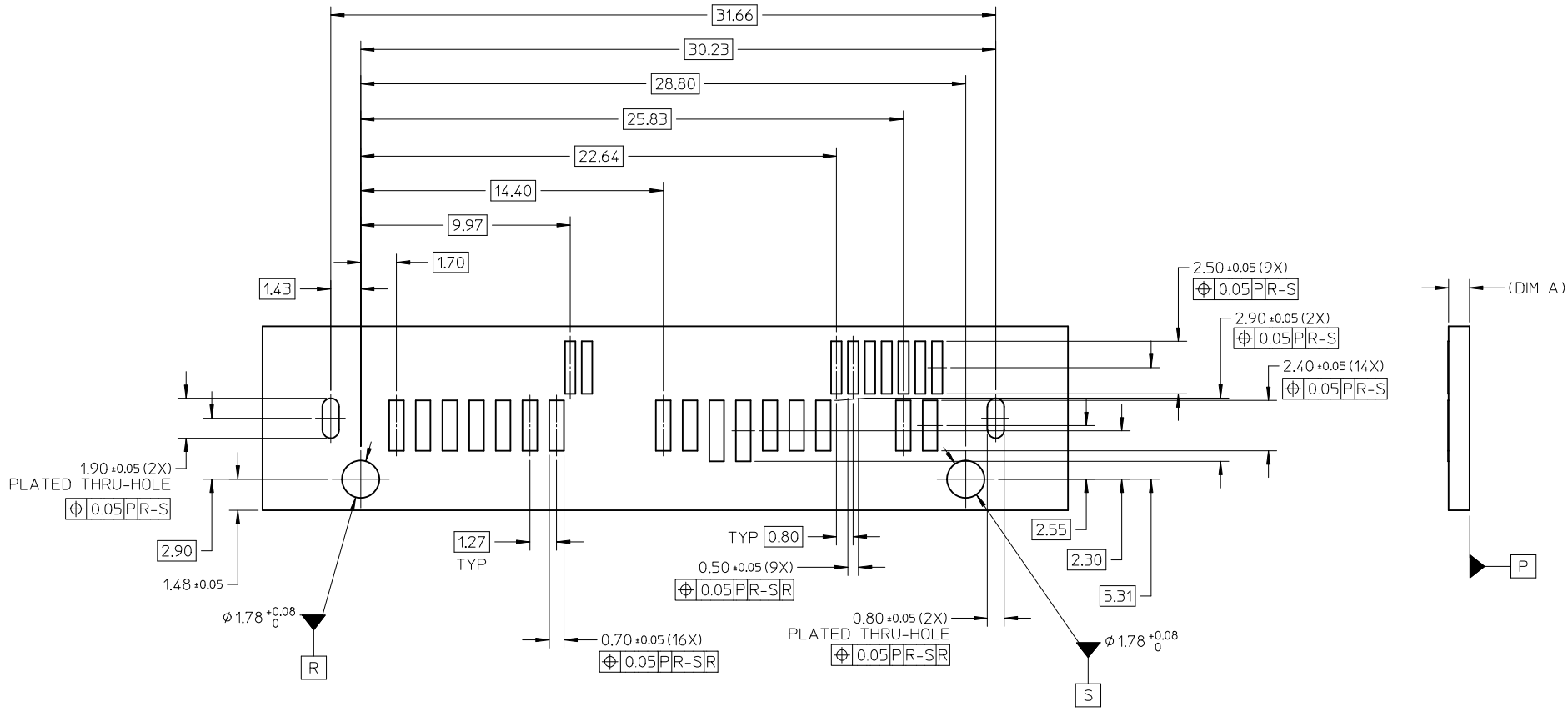
9 8 7 6 5 4 3 2 1

<b>REVISED BASEPLATE</b> EC NO: S2010-0600 DRWING: MEMARLY 2010/01/14 CHKD: SCHEONG 2010/03/31 APPR: BOKKOK 2010/04/01	DESCRIPTION A7	QUALITY SYMBOLS	GENERAL TOLERANCES (UNLESS SPECIFIED)		DIMENSION STYLE	SCALE	DESIGN UNITS	THIRD ANGLE PROJECTION		
		$F_A=0$ $F_C=0$ $F_P=0$	mm	INCH	MM ONLY	NTS	METRIC			
		4 PLACES ± --- ± --- 3 PLACES ± --- ± --- 2 PLACES ± 0.20 ± --- 1 PLACE ± --- ± ---	ANGULAR ± 3 °		DRAWN BY	DATE	TITLE			
		DRAFT WHERE APPLICABLE MUST REMAIN WITHIN DIMENSIONS		SEE TABLE	YKOH	2008/05/20	MICRO SAS RECEPTACLE R/A, SMT, 3.85MM HEIGHT 1.8 INCH SSD/HDD			
					APPROVED BY	DATE	MOLEX INCORPORATED			
					BOKKOK	2010/03/31	SD-78395-001			
					MATERIAL NO.	DOCUMENT NO.	SHEET NO.			
					SIZE	THIS DRAWING CONTAINS INFORMATION THAT IS PROPRIETARY TO MOLEX INCORPORATED AND SHOULD NOT BE USED WITHOUT WRITTEN PERMISSION				
					A3	1 OF 4				



REVISED BASEPLATE EC NO: S2010-0600 DRWN: GEMARLY 2010/01/14 CHKD: SCHEONG 2010/03/31 APPR: BOKKOK 2010/04/01	QUALITY SYMBOLS	GENERAL TOLERANCES (UNLESS SPECIFIED)		DIMENSION STYLE	SCALE	DESIGN UNITS	THIRD ANGLE PROJECTION
	$F_A = 0$ $F_G = 0$ $F_P = 0$	mm	INCH	MM ONLY	NTS	METRIC	
		4 PLACES	± ---	± ---	DRAWN BY	DATE	TITLE
		3 PLACES	± ---	± ---	YKOH	2008/05/20	MICRO SAS RECEPTACLE
	2 PLACES	± 0.20	± ---	CHECKED BY	DATE	R/A, SMT, 3.85MM HEIGHT	
	1 PLACE	± ---	± ---	JTAN02	2008/06/11	1.8 INCH SSD/HDD	
		ANGULAR ± 3 °		APPROVED BY	DATE	MOLEX INCORPORATED	
		DRAFT WHERE APPLICABLE MUST REMAIN WITHIN DIMENSIONS		BOKKOK	2010/03/31		
				MATERIAL NO.	DOCUMENT NO.		
				SEE TABLE		SD-78395-001	
				SIZE	THIS DRAWING CONTAINS INFORMATION THAT IS PROPRIETARY TO MOLEX INCORPORATED AND SHOULD NOT BE USED WITHOUT WRITTEN PERMISSION		
				A3			

10 9 8 7 6 5 4 3 2 1

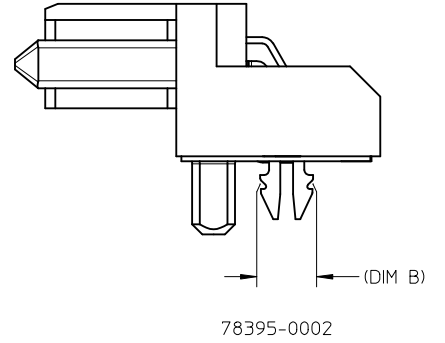
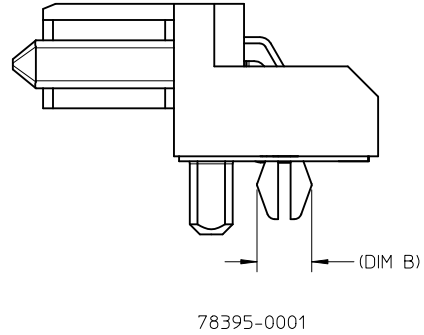
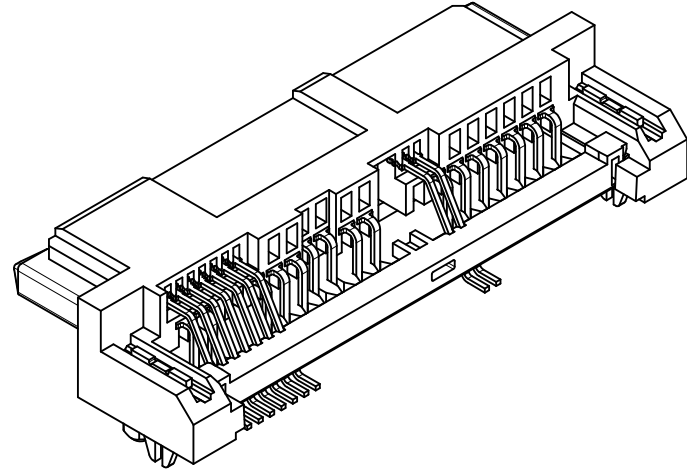
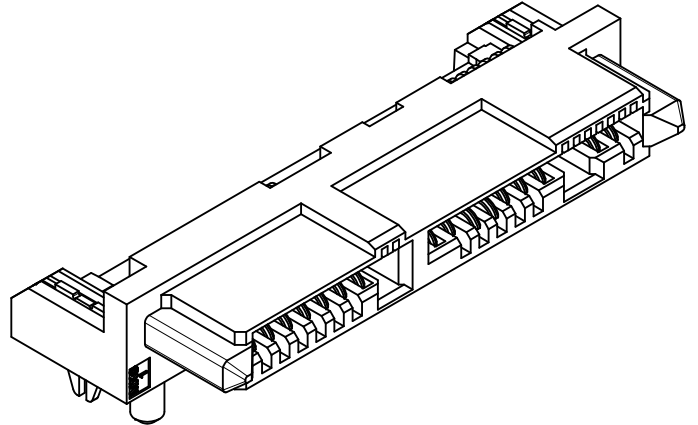


RECOMMENDED PCB LAYOUT

<b>REVISED BASEPLATE</b> EC NO: S2010-0600 DRW: GEMENARLY 2010/01/14 CHK: D. SCHEONG 2010/03/31 APPR: BOKKOK 2010/04/01	QUALITY SYMBOLS	GENERAL TOLERANCES (UNLESS SPECIFIED)		DIMENSION STYLE	SCALE	DESIGN UNITS	THIRD ANGLE PROJECTION
	$F_A=0$	mm	INCH	MM ONLY	NTS	METRIC	
	$F_C=0$	4 PLACES ± --- ± ---		DRAWN BY	DATE	TITLE	
	$F_P=0$	3 PLACES ± --- ± ---		YKOH	2008/05/20	MICRO SAS RECEPTACLE R/A, SMT, 3.85MM HEIGHT 1.8 INCH SSD/HDD	
	2 PLACES ± 0.20 ± ---		CHECKED BY	DATE	MOLEX INCORPORATED		
	1 PLACE ± --- ± ---		JTAN02	2008/06/11	DOCUMENT NO.		SHEET NO.
	ANGULAR ± 3 °		APPROVED BY	DATE	SD-78395-001		3 OF 4
			BOKKOK	2010/03/31	MATERIAL NO.		
			DRAFT WHERE APPLICABLE MUST REMAIN WITHIN DIMENSIONS		SEE TABLE		
			SIZE	THIS DRAWING CONTAINS INFORMATION THAT IS PROPRIETARY TO MOLEX INCORPORATED AND SHOULD NOT BE USED WITHOUT WRITTEN PERMISSION			
A7			A3				

9 8 7 6 5 4 3 2 1

5	4	3	2	1
PART NUMBER	HOLDDOWN	DIM A (PCB THICKNESS)		DIM B
78395-0001	FORKLOCK	1.00±0.10		(2.18)
78395-0002	FORKLOCK	1.20±0.12 TO 1.60±0.16 PCB FORKLOCK HOLE MUST BE PLATED THRU-HOLE (PTH) REGARDLESS WHETHER FORKLOCK IS SOLDERED OR NOT		(2.10)



<b>REVISED BASEPLATE</b> EC NO: S2010-0600 DRWN:GEMARLY 2010/01/14 CHKD:SCHEONG 2010/03/31 APPR:BOKOK 2010/04/01	DESCRIPTION REV	QUALITY SYMBOLS $F_A=0$ $F_C=0$ $F_P=0$	GENERAL TOLERANCES (UNLESS SPECIFIED) <table border="1"> <tr> <td></td> <td>mm</td> <td>INCH</td> </tr> <tr> <td>4 PLACES</td> <td>± ---</td> <td>± ---</td> </tr> <tr> <td>3 PLACES</td> <td>± ---</td> <td>± ---</td> </tr> <tr> <td>2 PLACES</td> <td>± 0.20</td> <td>± ---</td> </tr> <tr> <td>1 PLACE</td> <td>± ---</td> <td>± ---</td> </tr> </table>		mm	INCH	4 PLACES	± ---	± ---	3 PLACES	± ---	± ---	2 PLACES	± 0.20	± ---	1 PLACE	± ---	± ---	DIMENSION STYLE <b>MM ONLY</b>	SCALE <b>NTS</b>	DESIGN UNITS <b>METRIC</b>	THIRD ANGLE PROJECTION
		mm	INCH																			
	4 PLACES	± ---	± ---																			
	3 PLACES	± ---	± ---																			
2 PLACES	± 0.20	± ---																				
1 PLACE	± ---	± ---																				
			DRAWN BY YKOH	DATE 2008/05/20	TITLE <b>MICRO SAS RECEPTACLE          R/A, SMT, 3.85MM HEIGHT          1.8 INCH SSD/HDD</b>																	
			CHECKED BY JTAN02	DATE 2008/06/11	<b>MOLEX INCORPORATED</b>																	
			APPROVED BY BOKOK	DATE 2010/03/31	MATERIAL NO. <b>SEE TABLE</b>	DOCUMENT NO. <b>SD-78395-001</b>	SHEET NO. <b>4 OF 4</b>															