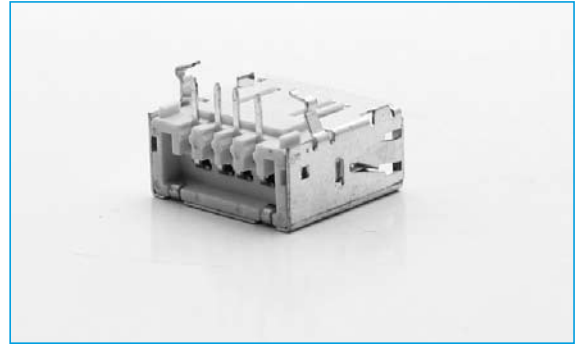


USB 2.0 CONNECTORS

- 4 position single port right angle socket
- PCB Mount
- Contact plating 30 micro inches min

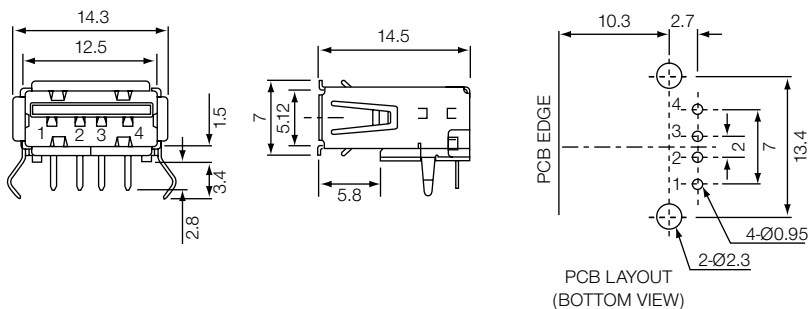
SINGLE PORT PCB-A



SPECIFICATION

Contact Resistance:	30mΩ Max
Insulation Resistance:	1000MΩ min. @500VDC
Rated Voltage and Current:	1.5A @250VAC min
Dielectric withstanding voltage:	500VAC (rms) for 1 minute
Durability:	1500 mating cycles
Insertion Force:	35 Newtons max
Extraction Force:	10 Newtons min
Housing:	PBT UL94V-0
Terminal:	Phosphor Bronze
Plating:	30 micro inches gold
Shell:	Brass

OUTLINE DRAWING



ORDERING INFORMATION

DBC	USB	2	A	SP	B	
Dubilier Connectors	USB	Version	Style	Ports	Mounting Option	Colour
				SP = Single Port	Blank = PCB Mount	B = Black W = White