

# Customer Information Sheet

DRAWING No.: M50-390XX42

SHEET 2 OF 2

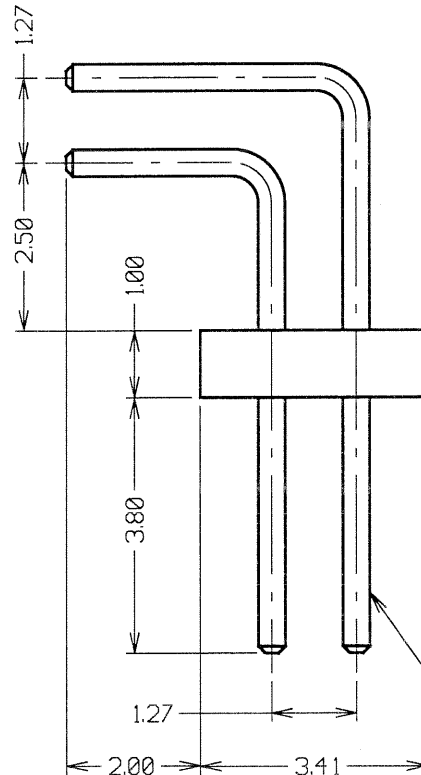
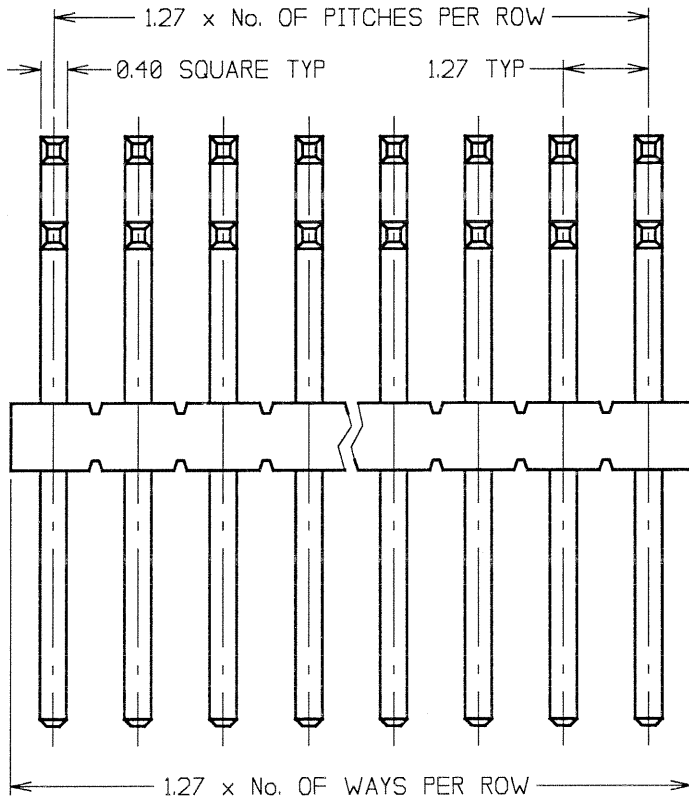
IF IN DOUBT - ASK

©

NOT TO SCALE

THIRD ANGLE PROJECTION

ALL DIMENSIONS IN mm



## SPECIFICATIONS:

### MATERIAL:

MOULDING = NYLON-6T UL94V-0

CONTACT = PHOSPHOR BRONZE

### FINISH:

CONTACT = 0.02-0.08µ GOLD ON CONTACT AREA,  
2.5-3.8µ 100% TIN ON TAILS

### ELECTRICAL:

CURRENT RATING (ALL CONTACTS ARE  
ELECTRICALLY LOADED) = 1 AMP

CONTACT RESISTANCE = 30 MILLIOHMS MAX  
INSULATION RESISTANCE = 5000 MEGOHMS MIN  
DIELECTRIC WITHSTANDING = 600V AC MIN

### MECHANICAL:

PIN RETENTION = 4.4N MIN  
SOLDERABILITY = 250°C FOR 3 TO 5 SECONDS  
DURABILITY = 600 CYCLES

### ENVIRONMENTAL:

TEMPERATURE RANGE = -40°C TO +105°C

### PACKING:

TRAY

FOR COMPLETE SPECIFICATION, SEE COMPONENT  
SPECIFICATION C029XX (LATEST ISSUE).

ORDER CODE:

**M50-390XX42**

No. OF WAYS PER ROW  
01 TO 50

FINISH:

42 = SELECTIVE GOLD + 100% TIN

### NOTES:

- ALL TOLERANCES ARE ±0.25 UNLESS OTHERWISE STATED.
- RECOMMENDED HOLE SIZE =  $\varnothing 0.65 \pm 0.05$ mm.

JMB	8	07.04.06	9151
NAME	ISS.	DATE	C/NOTE
APPROVED: <i>[Signature]</i>			
CHECKED: <i>[Signature]</i>			
DRAWN:		J. KEIR	
CUSTOMER REF.:			
ASSEMBLY DRG:			

# HARWIN

THIS DRAWING AND ANY INFORMATION OR DESCRIPTIVE MATTER SET OUT HEREON ARE CONFIDENTIAL AND COPYRIGHT PROPERTY OF THE HARWIN GROUP AND MUST NOT BE DISCLOSED, LOANED, COPIED OR USED FOR MANUFACTURING, TENDERING OR FOR ANY OTHER PURPOSE WITHOUT THEIR WRITTEN PERMISSION.

**TOLERANCES**  
X. - ±1mm  
X.X - ±0.25mm  
X.XX - ±0.10mm  
X.XXX - ±0.01mm  
ANGLES = ±5°  
UNLESS STATED

**MATERIAL:**

SEE ABOVE

**FINISH:** SEE ABOVE

**S/AREA:** mm<sup>2</sup>

**TITLE:**

1.27mm PITCH DIL HORIZONTAL  
PIN HEADER

**DRAWING NUMBER:**

**M50-390XX42**

HARWIN USA  
TEL: 603 893 5376  
FAX: 603 893 5396  
mis@harwin.com

HARWIN Europe (UK)  
TEL: 023 9231 4545  
FAX: 023 9231 4590  
mis@harwin.co.uk

HARWIN Asia  
TEL: +65 6 779 4909  
FAX: +65 6 779 3868  
mis@harwin.com.sg

SHT  
2  
OF  
2