

PLEASE CHECK WWW.MOLEX.COM FOR LATEST PART INFORMATION

Part Number: [0472711008](#)
Status: **Active**
Overview: [displayport](#)
Description: Upper Inner Shell for DisplayPort* Cable Plug, Nickel overall plating, with Latch Hole

Documents:

[Drawing \(PDF\)](#) [RoHS Certificate of Compliance \(PDF\)](#)

General

Product Family	Accessories
Series	47271
Component Type	Shell
MolexKits	Yes
Overview	displayport
Product Name	DisplayPort*

Physical

Circuits (Loaded)	N/A
Circuits (maximum)	0
Gender	N/A
Lock to Mating Part	Yes
Material - Metal	Brass
Number of Rows	0
Packaging Type	Reel
Polarized to Mating Part	Yes
Temperature Range - Operating	-20°C to +85°C

Electrical

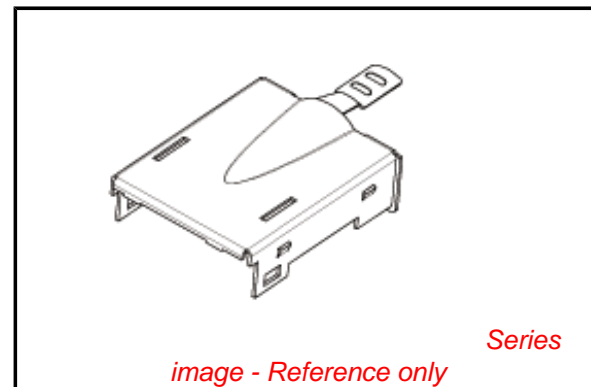
Current - Maximum per Contact	0.5A
-------------------------------	------

Material Info

Reference - Drawing Numbers

Sales Drawing	SD-47271-008
---------------	--------------

DisplayPort* is a Trademark of VESA



EU RoHS

**ELV and RoHS
Compliant**
**REACH SVHC
Contains SVHC: No**
**Halogen-Free
Status**

China RoHS



**Need more information on product
environmental compliance?**

Email productcompliance@molex.com
 For a multiple part number RoHS Certificate of
 Compliance, [click here](#)

Please visit the [Contact Us](#) section for any
 non-product compliance questions.

Search Parts in this Series
[47271Series](#)

10 9 8 7 6 5 4 3 2 1

F

F

E

E

D

D

C

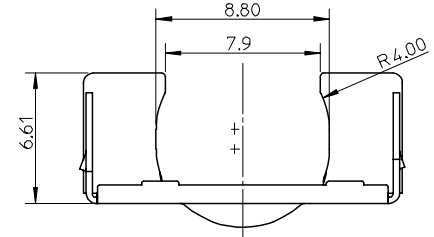
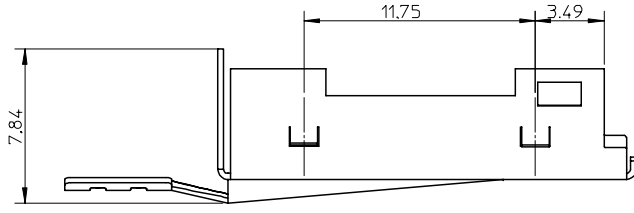
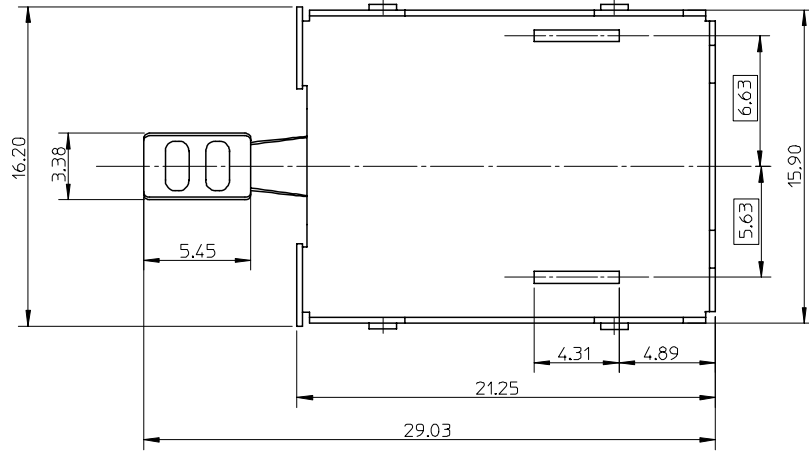
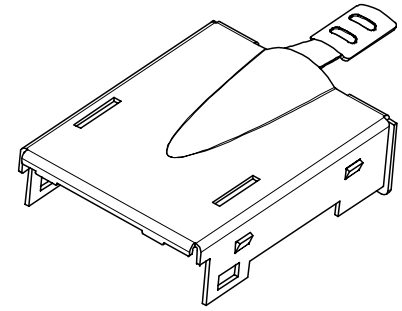
C

B

B

A

A



- NOTES:
1. THIS PART IS WITH LATCHES TYPE
 2. MATERIAL : 0.30MM THICKNESS COPPER ALLOY.
 3. PLATING : NICKEL 2.0 MICROMETER MIN OVERALL.

NEW RELEASE
 EC NO: SH2007-0705
 2007/04/27
 DRWN:HHE
 2007/04/30
 CHKD:
 APPR: JNCHEN
 2007/05/10

QUALITY SYMBOLS
 =0
 =0

GENERAL TOLERANCES (UNLESS SPECIFIED)	
mm	INCH
4 PLACES ± ---	± ---
3 PLACES ± ---	± ---
2 PLACES ± 0.15	± ---
1 PLACE ± 0.15	± ---
ANGULAR ± 2 °	

DRAFT WHERE APPLICABLE
 MUST REMAIN WITHIN DIMENSIONS

DIMENSION STYLE MM ONLY	
DRAWN BY	DATE
QWFANG	2006/09/05
CHECKED BY	DATE
IWANG	2006/09/05
APPROVED BY	DATE
JNCHEN	2006/09/05
MATERIAL NO.	
47271-1008	

SCALE	DESIGN UNITS	THIRD ANGLE PROJECTION
4:1	METRIC	
INNER-SHELL-UPPER FOR DISPLAYPORT		
MOLEX INCORPORATED		
DOCUMENT NO.	SHEET NO.	
SD-47271-008	1 OF 2	

9 8 7 6 5 4 3 2 1

10 9 8 7 6 5 4 3 2 1

F

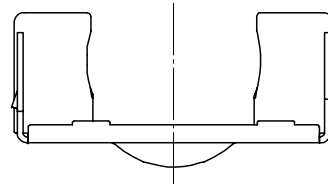
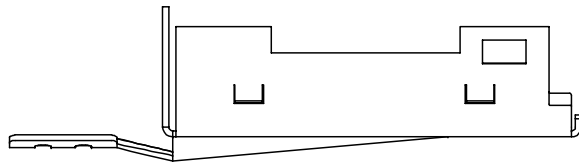
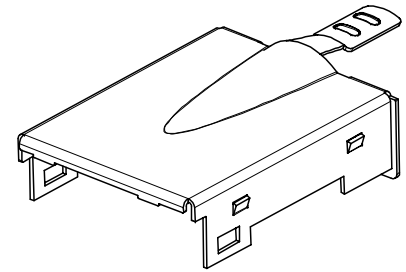
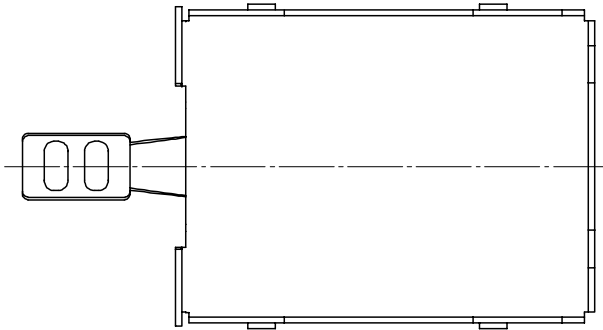
E

D

C

B

A



NOTES:
THIS PART IS WITHOUT LATCHES TYPE.
UNSPECIFIED DIMENSIONS ARE SAME AS SHEET 1.

SEE SHEET 1 EC NO: SH2007-0705 DRWN: HHE CHKD: APPR: JNCHEN 2007/04/27 2007/05/10	DESCRIPTION JNCHEN	QUALITY SYMBOLS	GENERAL TOLERANCES (UNLESS SPECIFIED)		DIMENSION STYLE MM ONLY		SCALE 4:1	DESIGN UNITS METRIC	THIRD ANGLE PROJECTION																																	
		$\nabla = 0$ $\sphericalangle = 0$	<table border="1"> <thead> <tr> <th></th> <th>mm</th> <th>INCH</th> </tr> </thead> <tbody> <tr> <td>4 PLACES</td> <td>± ---</td> <td>± ---</td> </tr> <tr> <td>3 PLACES</td> <td>± ---</td> <td>± ---</td> </tr> <tr> <td>2 PLACES</td> <td>± 0.15</td> <td>± ---</td> </tr> <tr> <td>1 PLACE</td> <td>± 0.15</td> <td>± ---</td> </tr> <tr> <td colspan="3">ANGULAR ± 2 °</td> </tr> </tbody> </table>		mm	INCH	4 PLACES	± ---	± ---	3 PLACES	± ---	± ---	2 PLACES	± 0.15	± ---	1 PLACE	± 0.15	± ---	ANGULAR ± 2 °			<table border="1"> <thead> <tr> <th>DRAWN BY</th> <th>DATE</th> <th>TITLE</th> </tr> </thead> <tbody> <tr> <td>QWFANG</td> <td>2006/09/05</td> <td rowspan="2">INNER-SHELL-UPPER FOR DISPLAYPORT</td> </tr> <tr> <td>CHECKED BY</td> <td>DATE</td> </tr> <tr> <td>IWANG</td> <td>2006/09/05</td> <td rowspan="2">MOLEX INCORPORATED</td> </tr> <tr> <td>APPROVED BY</td> <td>DATE</td> </tr> <tr> <td>JNCHEN</td> <td>2006/09/05</td> <td></td> </tr> </tbody> </table>	DRAWN BY	DATE	TITLE	QWFANG	2006/09/05	INNER-SHELL-UPPER FOR DISPLAYPORT	CHECKED BY	DATE	IWANG	2006/09/05	MOLEX INCORPORATED	APPROVED BY	DATE	JNCHEN	2006/09/05					
			mm	INCH																																						
		4 PLACES	± ---	± ---																																						
3 PLACES	± ---	± ---																																								
2 PLACES	± 0.15	± ---																																								
1 PLACE	± 0.15	± ---																																								
ANGULAR ± 2 °																																										
DRAWN BY	DATE	TITLE																																								
QWFANG	2006/09/05	INNER-SHELL-UPPER FOR DISPLAYPORT																																								
CHECKED BY	DATE																																									
IWANG	2006/09/05	MOLEX INCORPORATED																																								
APPROVED BY	DATE																																									
JNCHEN	2006/09/05																																									
		DRAFT WHERE APPLICABLE MUST REMAIN WITHIN DIMENSIONS	MATERIAL NO. 47271-3008	DOCUMENT NO. SD-47271-008	SHEET NO. 2 OF 2																																					
A	REV		SIZE A3	THIS DRAWING CONTAINS INFORMATION THAT IS PROPRIETARY TO MOLEX INCORPORATED AND SHOULD NOT BE USED WITHOUT WRITTEN PERMISSION																																						

9 8 7 6 5 4 3 2 1