

### Features:

- Advanced trench process technology
- Ultra low  $R_{DS(on)}$ , typical 16mohm
- High avalanche energy, 100% test
- Fully characterized avalanche voltage and current

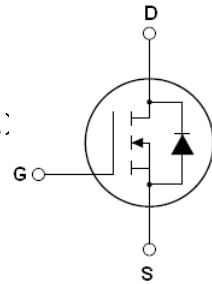
### Description:

The SSF1020 is a new generation of middle voltage and high current N-Channel enhancement mode trench power MOSFET. This new technology increases the device reliability and electrical parameter repeatability. SSF1020 is assembled in high reliability and qualified assembly house.

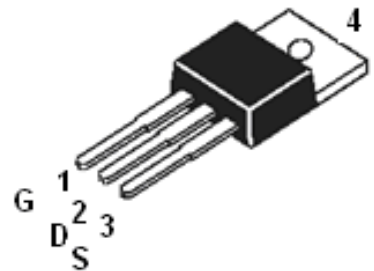
### Application:

- Power switching application

**$I_D = 60A$**   
 **$BV = 100V$**   
 **$R_{DS(on)} = 20m\Omega$  (max.)**



SSF1020 TOP View (TO220)



### Absolute Maximum Ratings

	Parameter	Max.	Units
$I_D @ T_c = 25^\circ C$	Continuous drain current, $V_{GS} @ 10V$	60	A
$I_D @ T_c = 100^\circ C$	Continuous drain current, $V_{GS} @ 10V$	50	
$I_{DM}$	Pulsed drain current ①	240	
$P_D @ T_c = 25^\circ C$	Power dissipation	150	W
	Linear derating factor	2.0	W/ C
$V_{GS}$	Gate-to-Source voltage	$\pm 20$	V
$E_{AS}$	Single pulse avalanche energy ②	240	mJ
$E_{AR}$	Repetitive avalanche energy	TBD	
$T_J$ $T_{STG}$	Operating Junction and Storage Temperature Range	-55 to +150	$^\circ C$

### Thermal Resistance

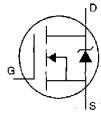
	Parameter	Min.	Typ.	Max.	Units
$R_{\theta JC}$	Junction-to-case	—	0.83	—	$^\circ C/W$
$R_{\theta JA}$	Junction-to-ambient	—	—	62	

### Electrical Characteristics @ $T_J = 25^\circ C$ (unless otherwise specified)

	Parameter	Min.	Typ.	Max.	Units	Test Conditions
$BV_{DSS}$	Drain-to-Source breakdown voltage	100	—	—	V	$V_{GS} = 0V, I_D = 250\mu A$
$R_{DS(on)}$	Static Drain-to-Source on-resistance	—	16	20	m $\Omega$	$V_{GS} = 10V, I_D = 30A$
$V_{GS(th)}$	Gate threshold voltage	2.0	3.0	4.0	V	$V_{DS} = V_{GS}, I_D = 250\mu A$
$g_{fs}$	Forward transconductance	-	58	—	S	$V_{DS} = 5V, I_D = 30A$
$I_{DSS}$	Drain-to-Source leakage current	—	—	1	$\mu A$	$V_{DS} = 100V, V_{GS} = 0V$
		—	—	10		$V_{DS} = 100V, V_{GS} = 0V, T_J = 150^\circ C$
$I_{GSS}$	Gate-to-Source forward leakage	—	—	100	nA	$V_{GS} = 20V$

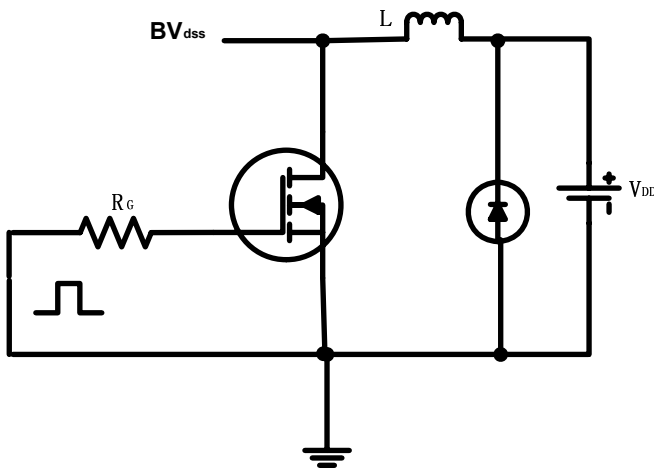
	Gate-to-Source reverse leakage	—	—	-100		$V_{GS}=-20V$
$Q_g$	Total gate charge	—	90	—	nC	$I_D=30A$ $V_{DD}=30V$ $V_{GS}=10V$
$Q_{gs}$	Gate-to-Source charge	—	14	—		
$Q_{gd}$	Gate-to-Drain("Miller") charge	—	24	—		
$t_{d(on)}$	Turn-on delay time	—	18.2	—	nS	$V_{DD}=30V$ $I_D=2A, R_L=15\Omega$ $R_G=2.5\Omega$ $V_{GS}=10V$
$t_r$	Rise time	—	15.6	—		
$t_{d(off)}$	Turn-Off delay time	—	70.5	—		
$t_f$	Fall time	—	13.8	—		
$C_{iss}$	Input capacitance	—	3150	—	pF	$V_{GS}=0V$ $V_{DS}=25V$ $f=1.0MHZ$
$C_{oss}$	Output capacitance	—	300	—		
$C_{rss}$	Reverse transfer capacitance	—	240	—		

### Source-Drain Ratings and Characteristics

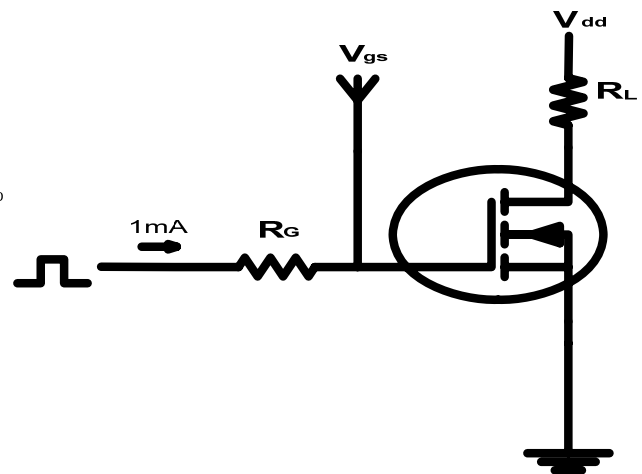
	Parameter	Min.	Typ.	Max.	Units	Test Conditions
$I_S$	Continuous Source Current (Body Diode)	—	—	60	A	MOSFET symbol showing the integral reverse p-n junction diode. 
$I_{SM}$	Pulsed Source Current (Body Diode) ①	—	—	240		
$V_{SD}$	Diode Forward Voltage	—	—	1.3	V	$T_J=25C, I_S=30A, V_{GS}=0V$ ③
$t_{rr}$	Reverse Recovery Time	—	57	—	nS	$T_J=25C, I_F=60A$
$Q_{rr}$	Reverse Recovery Charge	—	107	—	nC	$di/dt=100A/\mu s$ ③
$t_{on}$	Forward Turn-on Time	Intrinsic turn-on time is negligible (turn-on is dominated by $L_S + L_D$ )				

#### Notes:

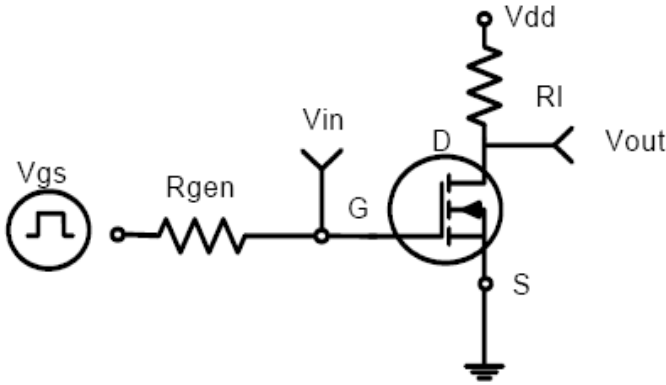
- ① Repetitive rating; pulse width limited by max junction temperature.
- ② Test condition:  $L = 0.3mH, I_D = 40A, V_{DD} = 50V$
- ③ Pulse width  $\leq 300\mu s$ , duty cycle  $\leq 1.5\%$ ;  $R_G = 25\Omega$  Starting  $T_J = 25^\circ C$



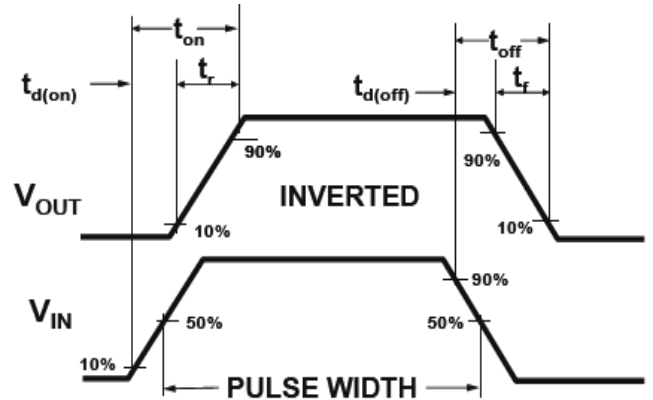
EAS test circuit



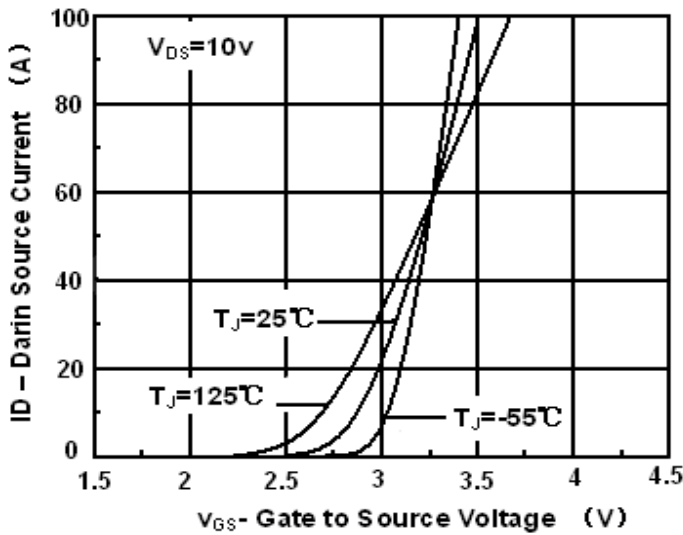
Gate charge test circuit



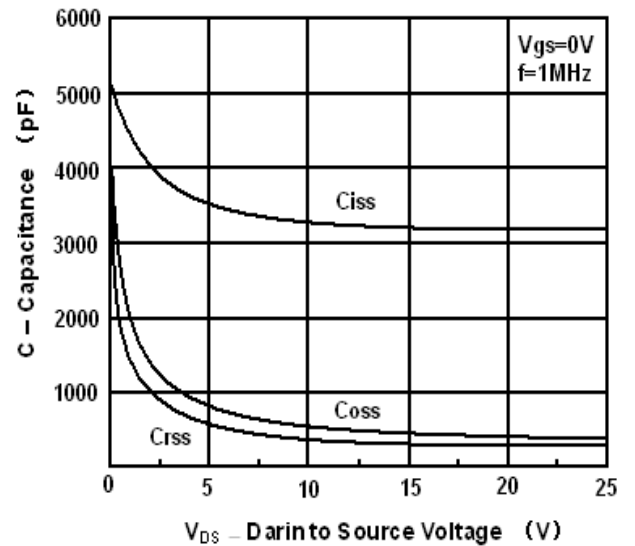
Switch Time Test Circuit:



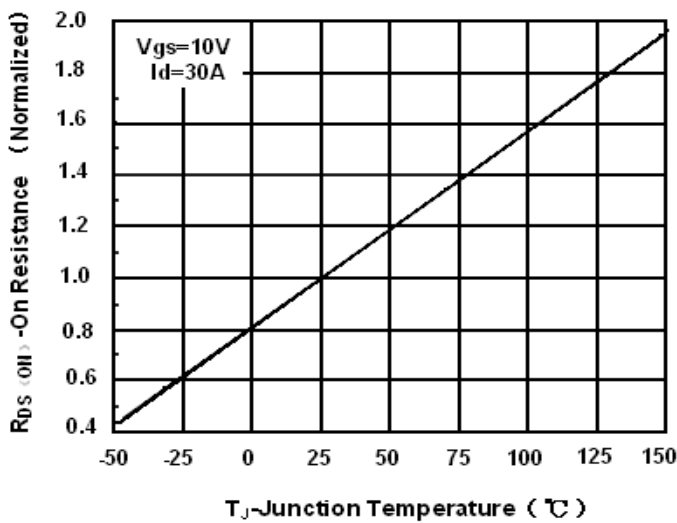
Switch Waveforms:



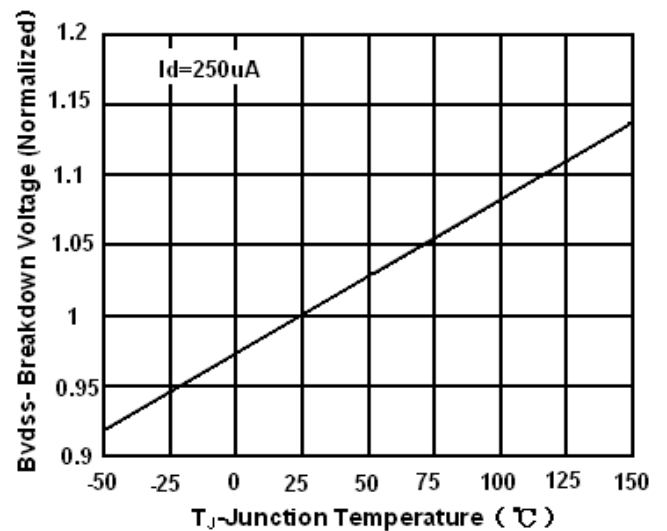
Transfer Characteristic



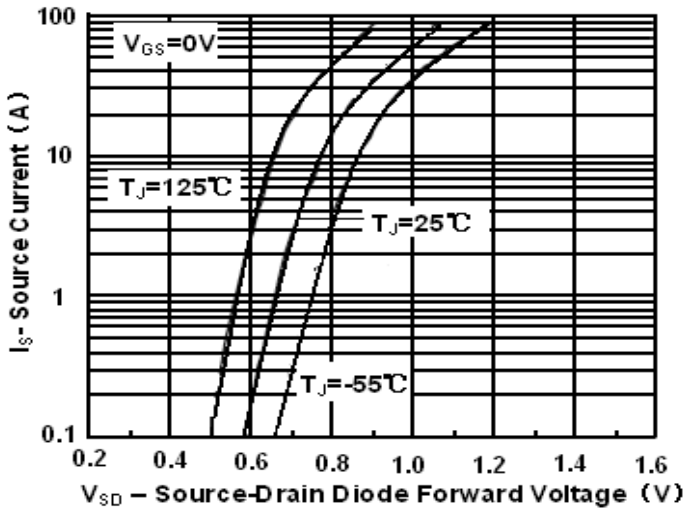
Capacitance:



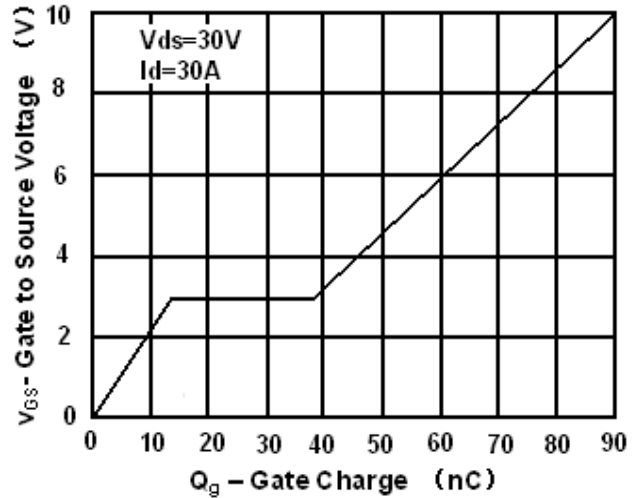
On Resistance vs Junction Temperature



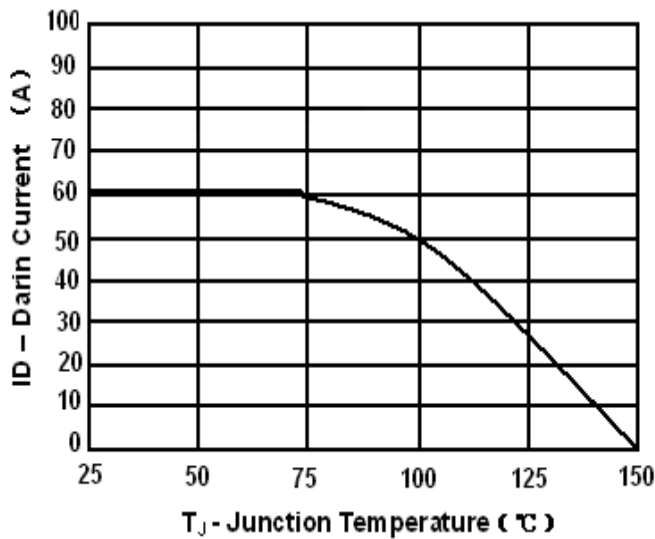
Breakdown Voltage vs Junction Temperature



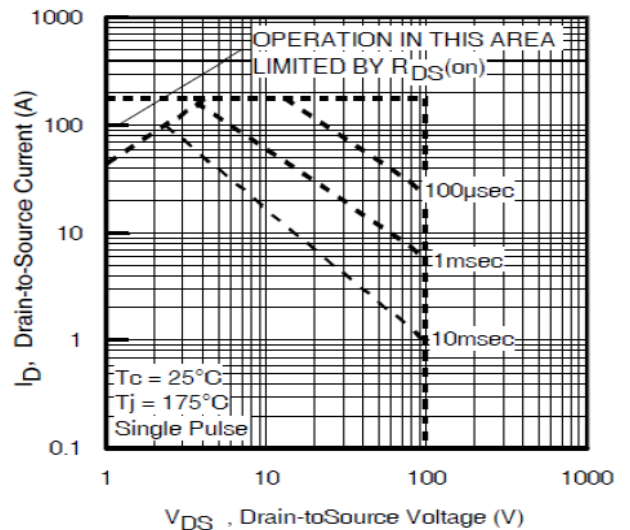
Source-Drain Diode Forward Voltage



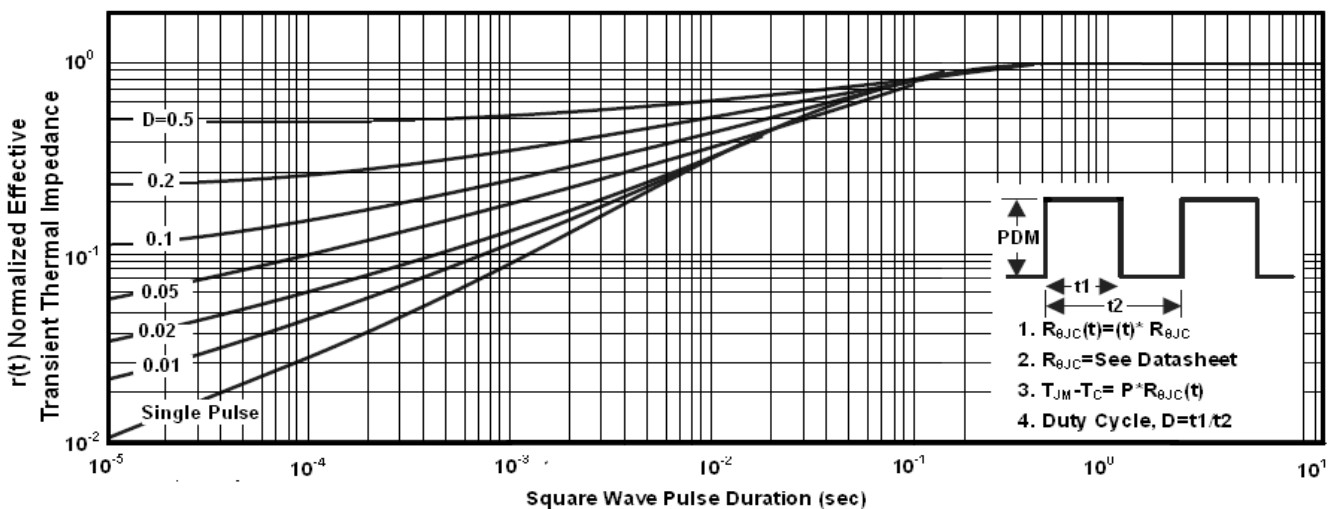
Gate Charge



Max Drain Current vs Junction Temperature



Safe Operation Area



Transient Thermal Impedance Curve

**TO220 MECHANICAL DATA:**

