

PLEASE CHECK WWW.MOLEX.COM FOR LATEST PART INFORMATION

Part Number: [0495490520](#)
Status: **Active**
Overview: [spox](#)
Description: 2.50mm (.098") Pitch Mini-SPOX™ Housing, 5 Circuits, Non-Locking

Documents:

[3D Model](#) [RoHS Certificate of Compliance \(PDF\)](#)
[Drawing \(PDF\)](#)

General

Product Family	Crimp Housings
Series	49549
Overview	spox
Product Name	SPOX™

Physical

Breakaway	No
Circuits (maximum)	5
Circuits Detail	5
Color - Resin	Natural
Gender	Female
Glow-Wire Compliant	No
Keying to Mating Part	None
Lock to Mating Part	No
Material - Resin	Polyester
Number of Rows	1
Packaging Type	Bag
Panel Mount	No
Pitch - Mating Interface (in)	0.098 In
Pitch - Mating Interface (mm)	2.50 mm
Pitch - Term. Interface (in)	0.098 In
Pitch - Term. Interface (mm)	2.50 mm
Polarized to Mating Part	Yes
Ports	1
Stackable	No
Temperature Range - Operating	-40°C to +105°C

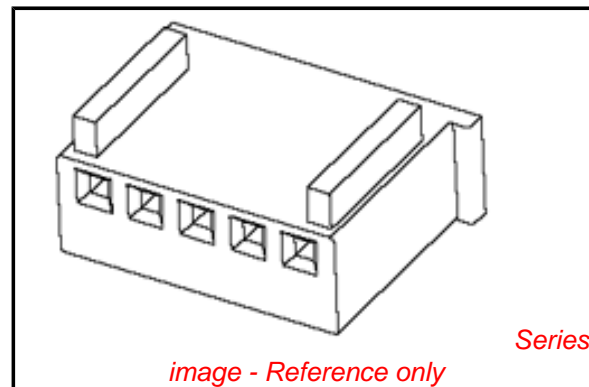
Electrical

Current - Maximum per Contact	3A
-------------------------------	----

Material Info

Reference - Drawing Numbers

Sales Drawing	SD-49549-002
---------------	--------------



EU RoHS

**ELV and RoHS
Compliant**
REACH SVHC
 Not Reviewed
**Halogen-Free
Status**
 Not Reviewed

China RoHS



**Need more information on product
environmental compliance?**

Email productcompliance@molex.com
 For a multiple part number RoHS Certificate of
 Compliance, [click here](#)

Please visit the [Contact Us](#) section for any
 non-product compliance questions.

Search Parts in this Series

[49549Series](#)

Mates With

[5240 SPOX™ Wire-to-Wire Plug Housing.](#)
[5045 KK® Wire-to-Board Header](#)

Use With

[579158001 Terminal.](#) [579159002 Terminal](#)

10 9 8 7 6 5 4 3 2 1

F

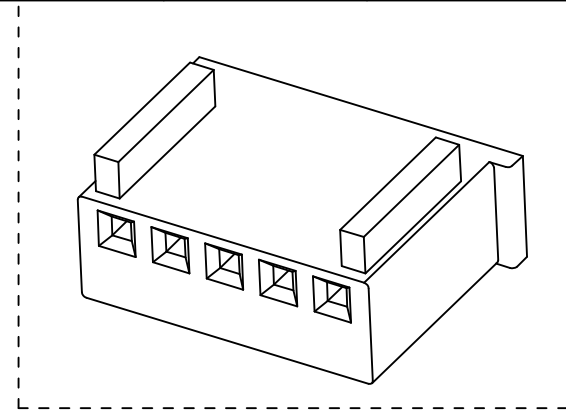
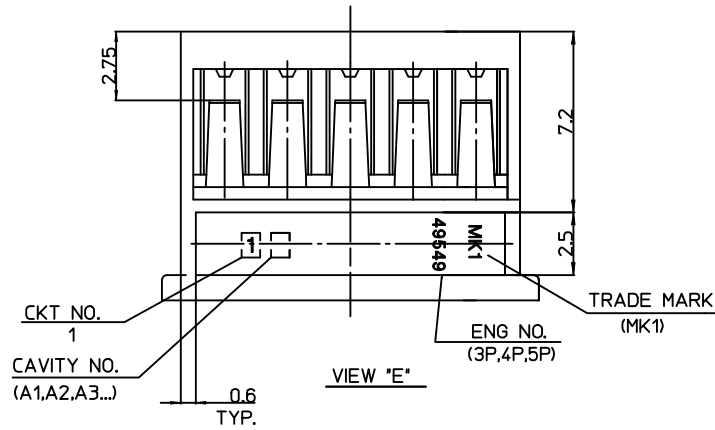
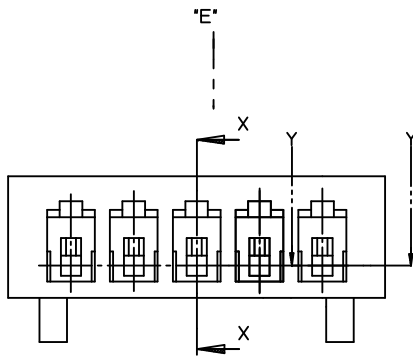
E

D

C

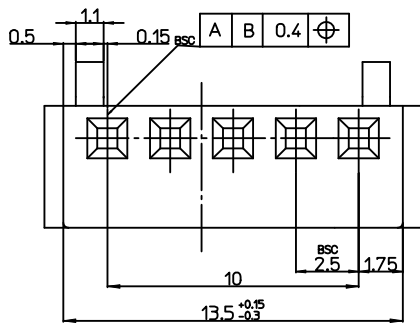
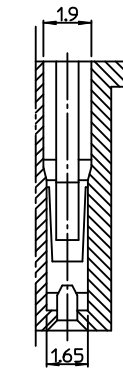
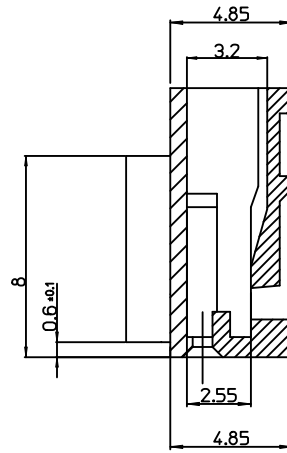
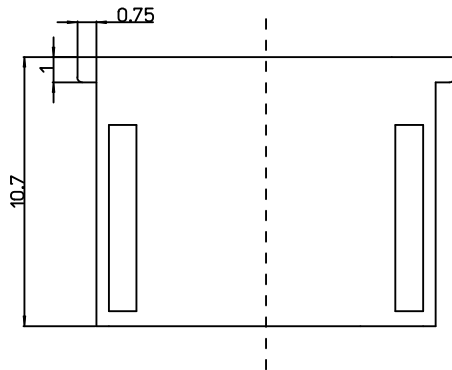
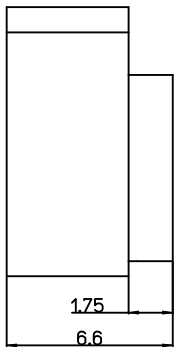
B

A



NOTES.

1. MATERIAL: $\text{\textcircled{P}}$ PBT (UL94V-0)
COLOR : NATURAL
2. PRODUCT SPECIFICATION : PS-49549-002
3. APPLICABLE TERMINAL : 57915-9002/8001
4. MATED HOUSING : 5240 SERIES(5P)
HEADER : 5045 SERIES(5P)



REVISED	EC NO: KOR2009-0162	QUALITY SYMBOLS	GENERAL TOLERANCES (UNLESS SPECIFIED)		DIMENSION STYLE	SCALE	DESIGN UNITS	THIRD ANGLE PROJECTION	
	DRWN: JHPARK01 2009/06/15	$\nabla = 0$	mm INCH		MM ONLY	5:1	METRIC	TITLE	
D	CHKD: WY. YANG 2009/07/06	$\nabla = 0$	4 PLACES	\pm --- \pm ---	DRAWN BY	DATE	2.5MM MINI SPOX HSG-5P (NON LOCKING TYPE)		
	APPR: YUNSIKKIM 2009/07/07		3 PLACES	\pm --- \pm ---	CHECKED BY	DATE	MOLEX INCORPORATED		
			2 PLACES	± 0.25 \pm ---	WY. YANG	2006/06/20	DOCUMENT NO.		
			1 PLACE	± 0.30 \pm ---	APPROVED BY	DATE	SD-49549-002		
			ANGULAR $\pm 1^\circ$		SH. CHOI	2006/06/20	SHEET NO.		
			DRAFT WHERE APPLICABLE MUST REMAIN WITHIN DIMENSIONS		MATERIAL NO.		1 OF 01		
					SEE NOTES				
					THIS DRAWING CONTAINS INFORMATION THAT IS PROPRIETARY TO MOLEX INCORPORATED AND SHOULD NOT BE USED WITHOUT WRITTEN PERMISSION				

9 8 7 6 5 4 3 2 1