

**PLEASE CHECK WWW.MOLEX.COM FOR LATEST PART INFORMATION**

**Part Number:** **0503227812**  
**Status:** **Active**  
**Description:** Spade Tongue Terminal for 16-22 AWG, Closed Uninsulated Brazed Barrel, Stud Size 10 (M5), Oxygen-Free Copper, Length 16.40mm (.646")

**Documents:**

[Drawing \(PDF\)](#) [RoHS Certificate of Compliance \(PDF\)](#)  
[Product Specification PS-50322-001 \(PDF\)](#)

**General**

Product Family	Ring and Spade Terminals
Series	<u>50322</u>
Crimp Quality Equipment	Yes
Mil-Spec	N/A
Product Name	Y (Spade)
Type	Spade

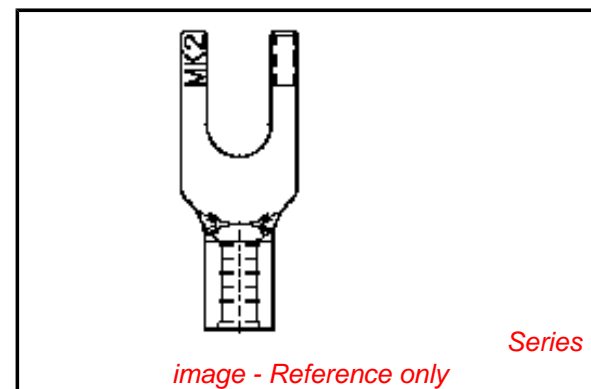
**Physical**

Barrel Type	Closed - Brazed
Insulation	None
Material - Plating Mating	Tin
Packaging Type	Bag
Plating min: Mating (µin)	40
Plating min: Mating (µm)	1
Plating min: Termination (µin)	40
Plating min: Termination (µm)	1
Stud Size	10 (M5)
Termination Interface: Style	Crimp or Compression
Wire Size AWG	16, 18, 20, 22
Wire Size mm <sup>2</sup>	0.25 - 1.65

**Material Info**

**Reference - Drawing Numbers**

Product Specification	PS-50322-001
Sales Drawing	SD-50322-001



*image - Reference only*

**EU RoHS**

**ELV and RoHS Compliant**  
**REACH SVHC**  
 Not Reviewed  
**Halogen-Free**  
**Status**  
**Not Reviewed**

**China RoHS**



**Need more information on product environmental compliance?**

Email [productcompliance@molex.com](mailto:productcompliance@molex.com)  
 For a multiple part number RoHS Certificate of Compliance, [click here](#)

Please visit the [Contact Us](#) section for any non-product compliance questions.

**Search Parts in this Series**

[50322Series](#)

**Application Tooling | [FAQ](#)**

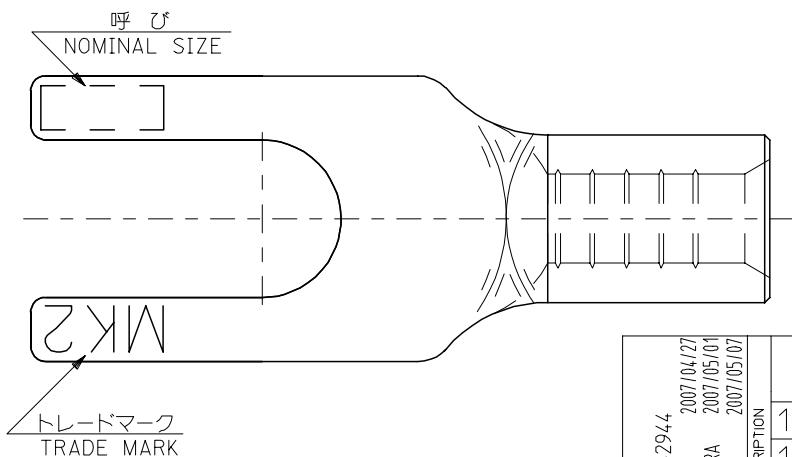
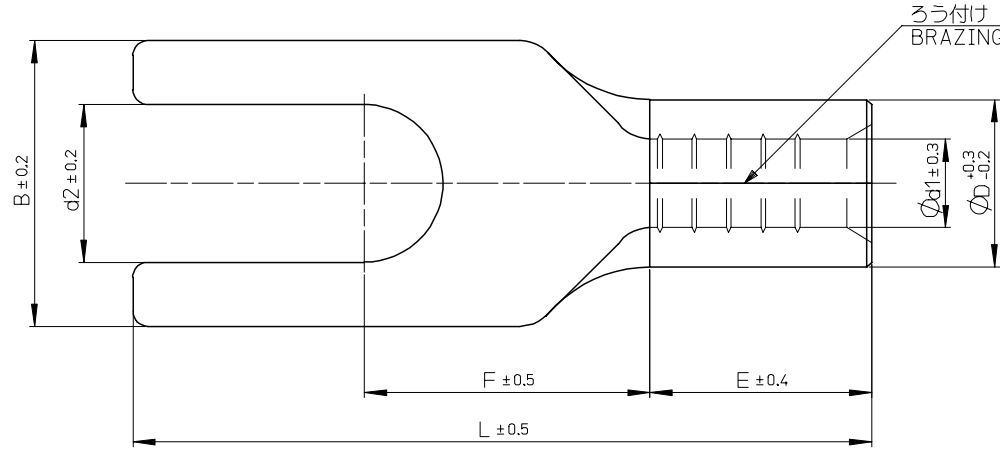
*Tooling specifications and manuals are found by selecting the products below. Crimp Height Specifications are then contained in the Application Tooling Specification document.*

**Japan**

Description	Product #
Hand Crimper For JIS Terminal	<a href="#">0572575000</a>
Hand Crimper For JIS Terminal	<a href="#">0573435002</a>
Air Type Hand Crimper For JIS Terminal	<a href="#">0573439005</a>

10 9 8 7 6 5 4 3 2 1

F  
E  
D  
C  
B  
A



注記 NOTES

- 材質 MATERIAL  
端子：無酸素銅、錫めっき  
TERMINAL: OXYGEN-FREE COPPER, TIN PLATING  
ろう付け部 リン銅ろう  
COPPER PHOSPHORUS BRAZING FILLER METALS (PART OF BRAZING)
- 適用電線 APPLICABLE WIRE RANGE

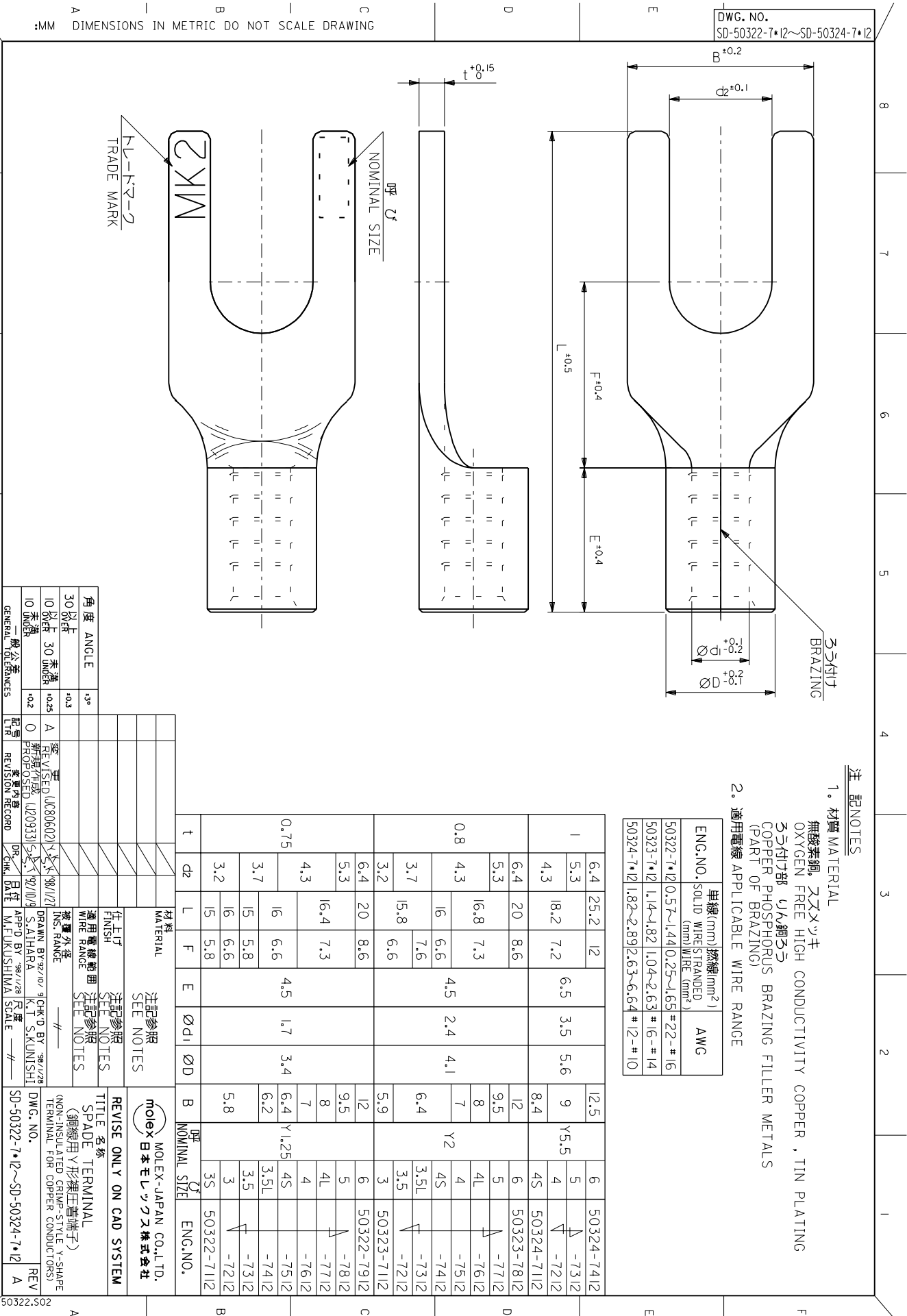
ENG. NO.	単線(mm) SOLID WIRE (mm)	撚線(mm <sup>2</sup> ) STRANDED WIRE (mm <sup>2</sup> )	AWG
50322-7*12	0.57~1.44	0.25~1.65	#22-#16

0.8	4.3	16.4	7.3	4.5	1.7	3.4	7	Y1.25	4	50322-7622
	6.4	20	8.6				11		6	50322-7912
	5.3	16.4	7.3				9.5		5	50322-7812
	4.3						8		4L	50322-7712
	3.7	16	6.6				7		4	50322-7612
		15	5.8				6.4		4S	50322-7512
	3.2	16	6.6				6.2		3.5L	50322-7412
		15	5.8				5.8		3.5	50322-7312
	3.7						5.7		3	50322-7212
									3SS	50322-7112
t	φd2	L	F	E	φd1	φD	B	呼び NOMINAL SIZE	ENG. NO.	

REVISED EC NO: J2007-2944 DRW: H.YAJIMA 2007/04/27 CHK: K.KASAHARA 2007/05/01 APP: NUKITA 2007/05/07	GENERAL TOLERANCES (UNLESS SPECIFIED)		DIMENSION STYLE MM ONLY		SCALE ---	DESIGN UNITS METRIC	THIRD ANGLE PROJECTION	
	10 UNDER	± ---	DRAWN BY H. YAJIMA	DATE '06/08/24	TITLE SPADE TERMINAL			
	10 OVER 30 UNDER	± ---	CHECKED BY K. KASAHARA	DATE '06/08/24	MATERIAL NO. SEE CHART			
	30 OVER	± ---	APPROVED BY N. UKITA	DATE '06/08/24	DOCUMENT NO. SD-50322-001			
	ANGULAR	± --- °	DRAFT WHERE APPLICABLE MUST REMAIN WITHIN DIMENSIONS		SIZE A3		SHEET NO. 1 OF 1	

DWG. NO.  
SD-50322-7\*12~SD-50324-7\*12

MM DIMENSIONS IN METRIC DO NOT SCALE DRAWING



注記NOTES

- 材質 MATERIAL  
無酸素銅、スズメッキ  
OXYGEN FREE HIGH CONDUCTIVITY COPPER, TIN PLATING
- 適用電線 APPLICABLE WIRE RANGE  
ろう付け部 リン銅ろう  
COPPER-PHOSPHORUS BRAZING FILLER METALS  
(PART OF BRAZING)

ENG. NO.	単線 (mm) (SOLID WIRE)	撚線 (mm <sup>2</sup> ) (STRAINED WIRE)	AWG
50322-7*12	0.57~1.44	0.25~1.65	#22-#16
50323-7*12	1.14~1.82	1.04~2.63	#16-#14
50324-7*12	1.82~2.89	2.63~6.64	#12-#10

I	6.4 5.3	25.2 18.2	12 7.2	6.5	3.5	5.6	12.5 9	6 5	50324-7412 -7312			
										4.3	7.2	5.6
0.8	6.4	20	8.6	4.5	2.4	4.1	12	5	50323-7812			
	5.3	16.8	7.3							9.5	6	-7712
	3.7	15.8	7.6							8	4L	-7612
0.75	6.4	20	8.6	4.5	1.7	3.4	12	5	50323-7112			
	5.3	16.4	7.3							9.5	6	-7812
	3.2	15.8	6.6							8	4L	-7712
3.2	6.4	20	8.6	4.5	1.7	3.4	12	5	50322-7912			
	5.3	16.4	7.3							9.5	6	-7812
	3.2	15.8	6.6							8	4L	-7712
3.2	6.4	20	8.6	4.5	1.7	3.4	12	5	50322-7112			
	5.3	16.4	7.3							9.5	6	-7812
	3.2	15.8	6.6							8	4L	-7712
3.2	6.4	20	8.6	4.5	1.7	3.4	12	5	50322-7112			
	5.3	16.4	7.3							9.5	6	-7812
	3.2	15.8	6.6							8	4L	-7712

角度 ANGLE	30度以下	30度以上	10度以下	10度以上
公差 TOLERANCES	±0.3	±0.25	±0.2	±0.2

記号	内容	日付	担当者
DR	CHK	DATE	DR
REV	REVISION RECORD		

材料 MATERIAL	注記参照 SEE NOTES
仕上げ FINISH	注記参照 SEE NOTES
適用電線範囲 WIRE RANGE	注記参照 SEE NOTES
検査外装 INS. RANGE	—

REVISE ONLY ON CAD SYSTEM
TITLE 名称 SPADE TERMINAL (銅線用 Y 形架仕端子) (NON-INSULATED CRIMP-STYLE Y-SHAPE TERMINAL FOR COPPER CONDUCTORS)
DWG. NO. SD-50322-7*12~SD-50324-7*12
REV

THIS DRAWING CONTAINS INFORMATION THAT IS PROPRIETARY TO MOLEX(JAPAN) AND SHOULD NOT BE USED WITHOUT WRITTEN PERMISSION  
本図面は日本モリス(株)の所有する情報を含むもので、当社の許可なく複製を禁止する。

EN-01C0323MXJ-32