

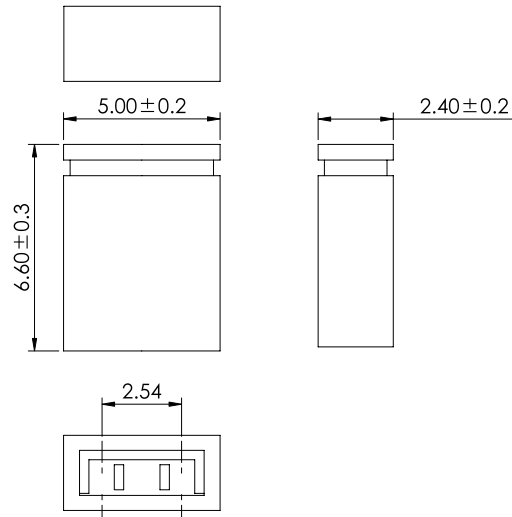


## 254291FD Series

Mates With SUYIN 254211, 254201, 254301, 254351, 254352 Series

### Specifications:

- **2 Circuits**
- **Insulator Material** : Thermo Plastic UL94V-0
- **Operating Temp. Range** : -40°C To +105°C
- **Terminal Material** : Phosphor Bronze
- **Plating** : Gold Plated
- **Max. Current Rating** : 1.5A
- **Max. Voltage Rating** : 250V AC
- **Dielectric Strength** : 500V AC (Min. 60 Seconds)



2.54  
mm

## Order Information

254291FD002□□00ZU  
 1 2 3 4 5

1. 'D' : Both Side Can Be Connection
2. No. of Pins
3. Plating
4. Color 'Z' : Black  
'U' : Red
5. Package  
'O' : Slim Box Without CAP

Reference Page 11

## Dimension Information

SUYIN P/NO.	MATERIAL	COLOR
254291FD002G201ZO	PBT	BLACK
254291FD002G212ZO	NY-6T	BLACK
254291FD002T101ZO	PBT	BLACK
254291FD002G201UO	PBT	RED
254291FD002T101UO	PBT	RED