

**PLEASE CHECK WWW.MOLEX.COM FOR LATEST PART INFORMATION**

**Part Number:** [0351510612](#)  
**Status:** **Active**  
**Overview:** [versablade](#)  
**Description:** 7.30mm (.287") Pitch Wire-to-Wire VersaBlade™ Hybrid Receptacle Housing, 6 Circuits, Polyester UL94V-0, Red

**Documents:**

[3D Model](#) [Product Specification PS-35150-003 \(PDF\)](#)  
[Drawing \(PDF\)](#) [RoHS Certificate of Compliance \(PDF\)](#)

**Agency Certification**

CSA	LR19980
TUV	R72090206
UL	E29179

**General**

Product Family	Crimp Housings
Series	<a href="#">35151</a>
Comments	Polarized to Mating Part, Positive Lock
Overview	<a href="#">versablade</a>
Product Name	VersaBlade™

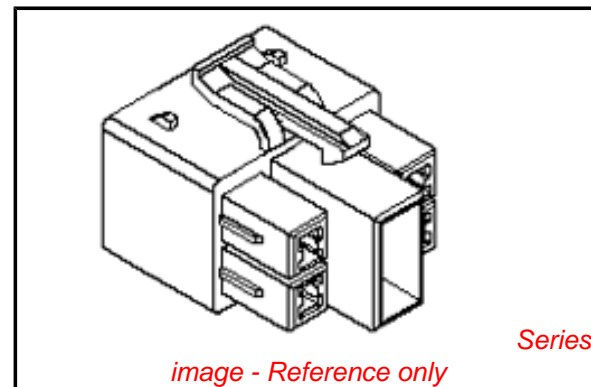
**Physical**

Breakaway	No
Circuits (maximum)	6
Color - Resin	Red
Flammability	94V-0
Gender	Female
Glow-Wire Compliant	No
Keying to Mating Part	None
Lock to Mating Part	Yes
Material - Resin	Polyester
Number of Rows	2
Packaging Type	Bag
Panel Mount	No
Pitch - Mating Interface (in)	0.287 In
Pitch - Mating Interface (mm)	7.30 mm
Pitch - Term. Interface (in)	0.287 In
Pitch - Term. Interface (mm)	7.30 mm
Polarized to Mating Part	Yes
Ports	1
Stackable	No
Temperature Range - Operating	-40°C to +120°C

**Material Info**

**Reference - Drawing Numbers**

Product Specification	PS-35150-003
Sales Drawing	SD-35151-061*



**EU RoHS**

**ELV and RoHS Compliant**  
**REACH SVHC**  
 Not Reviewed  
**Halogen-Free Status**  
**Not Reviewed**

**China RoHS**



**Need more information on product environmental compliance?**

Email [productcompliance@molex.com](mailto:productcompliance@molex.com)  
 For a multiple part number RoHS Certificate of Compliance, [click here](#)

Please visit the [Contact Us](#) section for any non-product compliance questions.

**Search Parts in this Series**

[35151Series](#)

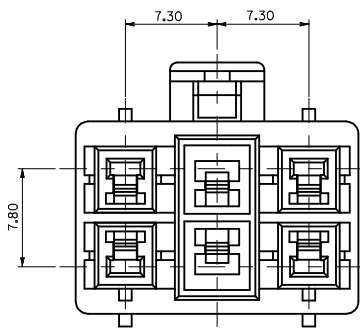
**Mates With**

[351510610](#) Receptacle Housing, [351510614](#) Receptacle Housing

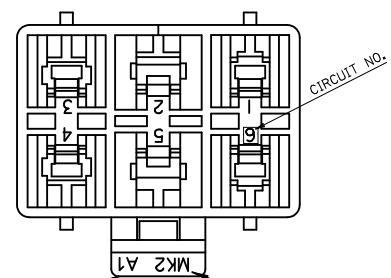
**Use With**

VersaBlade™ Crimp Terminals, [35745](#) , [35747](#) , [35748](#)

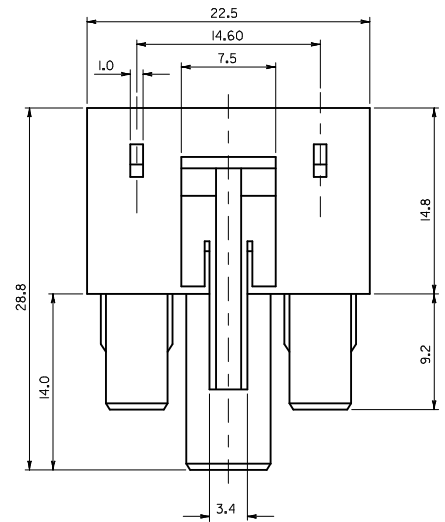
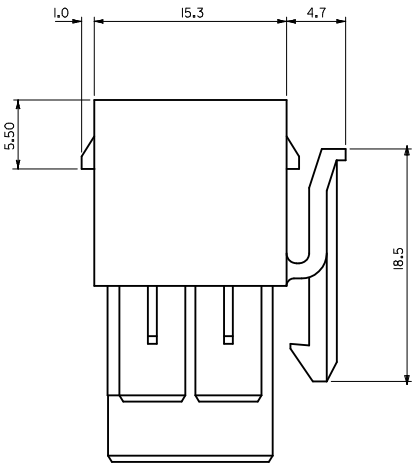
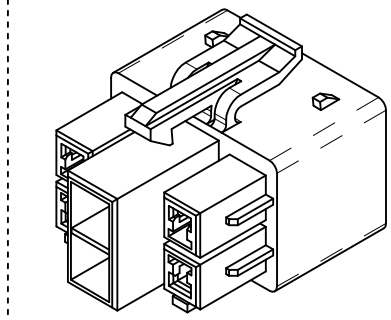
10 9 8 7 6 5 4 3 2 1



VIEW A\*



© TOOL & CAVITY NO (TOOL:A.B. CAV:1.2.) TRADE MARK (MK2)



NOTES

1. MATERIAL AND COLOR : SEE "[TABLE]"
2. MATED HOUSING : 35150-60\*/35150-61\*  
35150-039\* (TPA)
3. APPLICABLE TERMINAL : 35745-\*\*\*\* (2,5 CIRCUIT)  
35746-\*\*\*\* (3,4 CIRCUIT)  
©35748-\*\*\*\* (1,6 CIRCUIT)

No.	PRODUCT		MATERIAL
1	35151-0610	NATURAL	POLYESTER PBT (UL94V-0)
2	35151-0612	RED	
3	35151-0614	BLUE	
4	35151-0619	NATURAL	PC/PET (UL94V-0)
5	35151-3619	YELLOW	
6	35151-4619	BLUE	

REVISED EC NO: KOR2010-0093 DRWN: JHPARK01 2009/12/22 CHKD: WY YANG 2009/12/22 APPR: YUNSIKKIM 2009/12/22	DESCRIPTION REV	QUALITY SYMBOLS ▽=0 ◻=0	GENERAL TOLERANCES (UNLESS SPECIFIED)	DIMENSION STYLE MM ONLY	SCALE 1:1	DESIGN UNITS METRIC	THIRD ANGLE PROJECTION																
			<table border="1"> <tr> <th></th> <th>mm</th> <th>INCH</th> </tr> <tr> <td>4 PLACES</td> <td>± ---</td> <td>± ---</td> </tr> <tr> <td>3 PLACES</td> <td>± ---</td> <td>± ---</td> </tr> <tr> <td>2 PLACES</td> <td>± 0.15</td> <td>± ---</td> </tr> <tr> <td>1 PLACE</td> <td>± 0.20</td> <td>± ---</td> </tr> </table>		mm	INCH	4 PLACES	± ---	± ---	3 PLACES	± ---	± ---	2 PLACES	± 0.15	± ---	1 PLACE	± 0.20	± ---	DRAWN BY: WY.YANG DATE: 1992/09/14 CHECKED BY: BK.CHOI DATE: 1992/09/14 APPROVED BY: _____ DATE: _____	TITLE 7.3 PITCH W/W FEMALE HOUSING-6P			
			mm	INCH																			
		4 PLACES	± ---	± ---																			
3 PLACES	± ---	± ---																					
2 PLACES	± 0.15	± ---																					
1 PLACE	± 0.20	± ---																					
	ANGULAR ±1/2°	MATERIAL NO. SEE TABLE	DOCUMENT NO. SD-35151-061*	SHEET NO. 1 OF 01																			
	DRAFT WHERE APPLICABLE MUST REMAIN WITHIN DIMENSIONS	SIZE A3	THIS DRAWING CONTAINS INFORMATION THAT IS PROPRIETARY TO MOLEX INCORPORATED AND SHOULD NOT BE USED WITHOUT WRITTEN PERMISSION																				

9 8 7 6 5 4 3 2 1