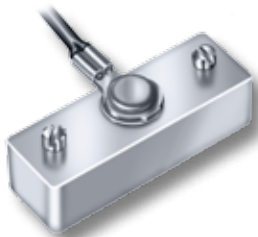


Metal Protective Covers with Silicone Rubber Gaskets 500-017 and 500-037



Choose **Metal Protective Covers** for full environmental protection.

Silicone Rubber Gasket provides a watertight seal.

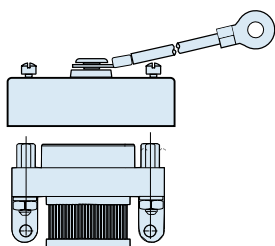
Use with **M83513 Type Metal Shell Micro-D Connectors**

MATERIALS & FINISHES

Shell	Aluminum Alloy 6061 -T6
Gasket	Silicone Rubber
Hardware	300 Series Stainless Steel, Passivated

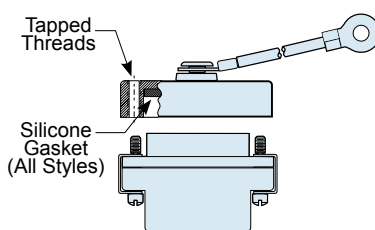
SELECT A PROTECTIVE COVER STYLE

Style 1



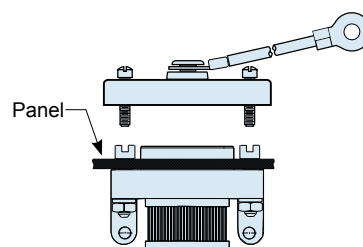
Use With Micro-D Connectors With Jackposts
Not for rear panel mounted connectors.

Style 2



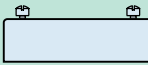

Use With Micro-D Connectors With Jackscrews

Style 3



Use With Rear-Panel Mounted Micro-D Connectors

HOW TO ORDER STYLE 1 AND STYLE 2 PROTECTIVE COVERS

Series	Shell Finish	Connector Size	Hardware Option	Lanyard Option	Lanyard Length	Ring Terminal Ordering Code
500-017	C – Black Anodize	09	<p>STYLE 1</p>  <p>Fits Micro-D's With Jackposts Cover has Jackscrews</p> <p>MB – Fillister Head Jackscrew MH – Hex Head Jackscrew</p> <p>STYLE 2</p>  <p>Fits Micro-D's With Jackscrews Cover has Tapped Female Threads</p> <p>F – Female Threads</p> <p>(STYLE 3: see next page)</p>	<p>N – No Lanyard</p> <p>G – Flexible Nylon Rope</p> <p>F – Wire Rope, Nylon Jacket</p> <p>H – Wire Rope, Hi-Temp Teflon Jacket</p>	<p>Length in One Inch Increments</p> <p>Example: "6" equals six inches.</p>	<p>06 – .125 (3.2)</p> <p>01 – .140 (3.6)</p> <p>05 – .167 (4.2)</p> <p>04 – .197 (5.0)</p> <p>I.D. of Ring Terminal</p>
		15				
	E – Chem Film	21				
		25				
	J – Cadmium, Yellow Chromate	31				
		37				
	M – Electroless Nickel	51				
		51-2				
	NF – Cadmium, Olive Drab	67				
		69				
Z2 – Gold	100					
Sample Part Number						
500-017	M	25	MB	F	4	- 06



Metal Protective Covers with Silicone Rubber Gasket

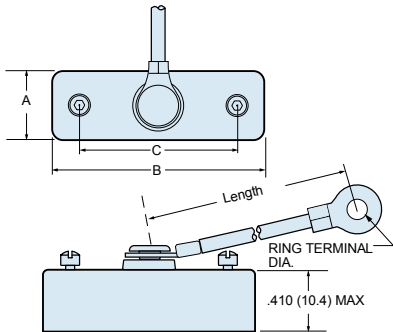
500-017 and 500-037

HOW TO ORDER STYLE 3 PROTECTIVE COVERS FOR REAR MOUNT CONNECTORS

Series	Shell Finish	Connector Size	Panel Thickness Option	Hardware Option	Lanyard Option	Ring Terminal Ordering Code	
500-037	C – Black Anodize	09	R1 – .031 (0.79) Panel	STYLE 3 Fits Micro-D's With Jackposts B – Fillister Head Jackscrew H – Hex Head Jackscrew	N – No Lanyard	06 – .125 (3.2)	
		15	R2 – .047 (1.19) Panel		G – Flexible Nylon Rope	01 – .140 (3.6)	
	E – Chem Film	21	R3 – .062 (1.57) Panel		 Panel	F – Wire Rope, Nylon Jacket	05 – .167 (4.2)
		25	R4 – .093 (2.36) Panel				I.D. of Ring Terminal
		31					
	J – Cadmium, Yellow Chromate	37					
		51					
	M – Electroless Nickel	51-2					
NF – Cadmium, Olive Drab	67						
Z2 – Gold	69						
		100					
Sample Part Number							
500-037	J	31	R4	B	G	– 06	

PROTECTIVE COVER DIMENSIONS

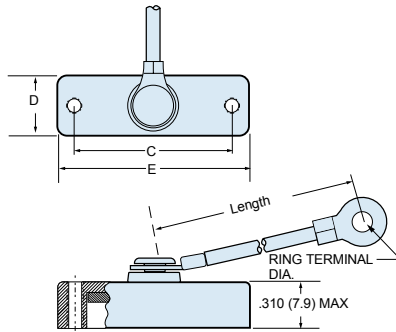
Style 1



#2-56 UNC THREADS SIZES 9-69
#4-40 UNC THREADS SIZE 100

For Micro-D Connectors With Jackposts

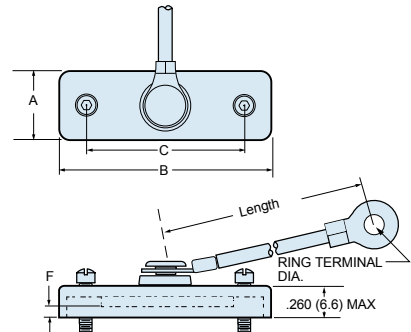
Style 2



#2-56 UNC THREADS SIZES 9-69
#4-40 UNC THREADS SIZE 100

For Micro-D Connectors With Jackscrews

Style 3



#2-56 UNC THREADS SIZES 9-69
#4-40 UNC THREADS SIZE 100

For Rear-Panel Mounted Micro-D

Size	A Max.		B Max.		C		D Max.		E Max.		Panel Thickness	F	
	In.	mm.	In.	mm.	In.	mm.	In.	mm.	In.	mm.		In.	mm.
9	.453	11.5	.930	23.6	.565	14.35	.360	9.1	.775	19.7	R1	.126	3.2
15	.453	11.5	1.080	27.4	.715	18.16	.360	9.1	.925	23.5	R2	.110	2.8
21	.453	11.5	1.230	31.2	.865	21.97	.360	9.1	1.075	27.3	R3	.095	2.4
25	.453	11.5	1.330	33.8	.965	24.51	.360	9.1	1.175	29.8	R4	.064	1.6
31	.453	11.5	1.480	37.6	1.115	28.32	.360	9.1	1.325	33.7			
37	.453	11.5	1.630	41.4	1.265	32.13	.360	9.1	1.475	37.5			
51	.496	12.6	1.580	40.1	1.215	30.86	.400	10.2	1.425	36.2			
51-2	.453	11.5	1.980	50.3	1.615	41.02	.360	9.1	1.825	46.4			
67	.453	11.5	2.380	60.5	2.015	51.18	.360	9.1	2.225	56.5			
69	.496	12.6	1.880	47.8	1.515	38.48	.400	10.2	1.725	43.8			
100	.539	13.7	2.315	58.8	1.800	45.72	.450	11.4	2.160	54.9			