

947-041 Bulkhead Feed-Thru, Panel Mount MIL-DTL-5015 Type

HOW TO ORDER:

EXAMPLE: 947-041 M 18 - 11 P X

BASIC NO _____

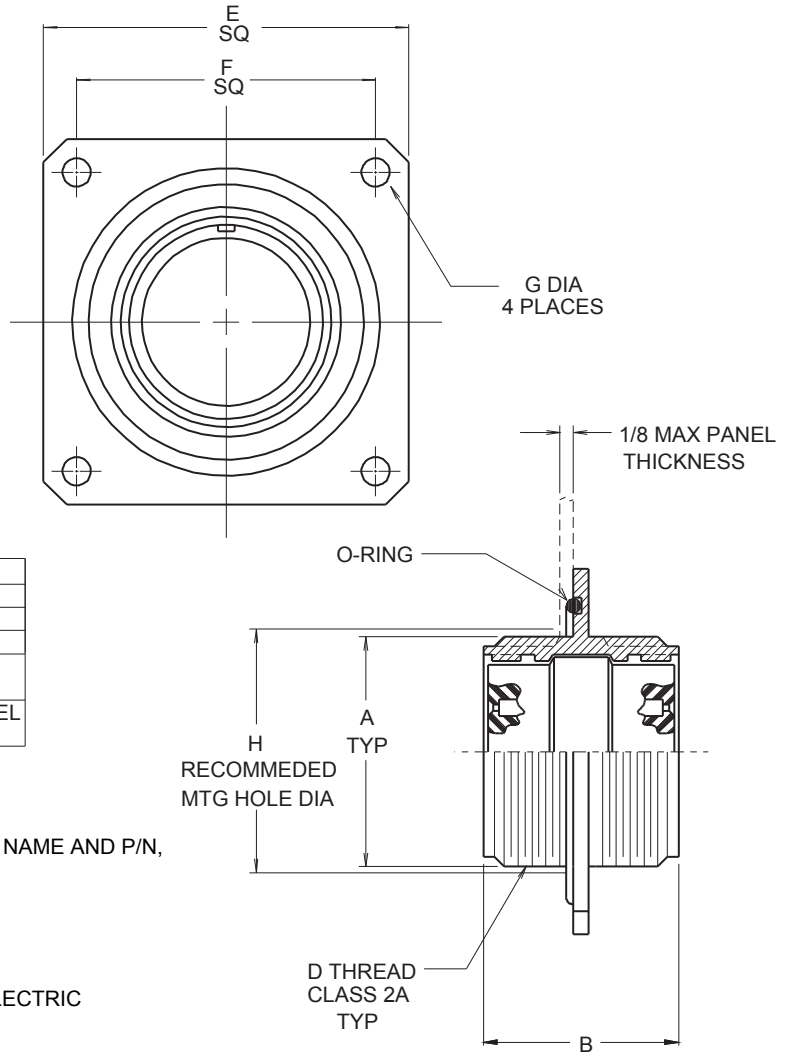
FINISH SYM, TABLE II _____

SHELL SIZE, TABLE I _____

INSERT ARRANGEMENT
PER MIL-C-5015 _____

P = PINS
S = SOCKETS
PS = PIN/SOCKET

ALTERNATE POSITION
W,X,Y,Z (OMIT FOR NORMAL)



SYM	FINISH DESCRIPTION
B	CADMIUM PLATE/OLIVE DRAB
M	ELECTROLESS NICKEL
N	CADMIUM PLATE/OLIVE DRAB OVER NICKEL PLATE
NF	CAD/O. D. OVER ELECTROLESS NICKEL (500 HOUR SALT SPRAY)

NOTES:

- ASSEMBLY IDENTIFIED WITH MANUFACTURER'S NAME AND P/N, SPACE PERMITTING.
- MATERIAL/FINISH:
SHELL - AL ALLOY/SEE TABLE II
CONTACTS - COPPER ALLOY/GOLD PLATE
INSULATORS, SPACER - HIGH GRADE RIGID DIELECTRIC
O-RINGS & SEALS - SILICONE/N.A.

SHELL SIZE	B MAX	F DIM $\pm 0.005 (0.1)$	G DIA $+0.10 - 0.005$ $(+0.3 - 0.1)$	H DIA $+0.15 - 0.000$ $(+0.4 - 0)$
8S	1.750 (44.5)	.594 (15.1)	.150 (3.8)	.510 (13.0)
10SL	1.750 (44.5)	.719 (18.3)	.150 (3.8)	.635 (16.1)
12S	1.750 (44.5)	.812 (20.6)	.150 (3.8)	.760 (19.3)
12	2.125 (54.0)	.812 (20.6)	.150 (3.8)	.760 (19.3)
14S	1.750 (44.5)	.906 (23.0)	.150 (3.8)	.885 (22.5)
14	2.125 (54.0)	.906 (23.0)	.150 (3.8)	.885 (22.5)
16S	1.750 (44.5)	.969 (24.6)	.150 (3.8)	1.010 (25.7)
16	2.125 (54.0)	.969 (24.6)	.150 (3.8)	1.010 (25.7)
18	2.125 (54.0)	1.062 (27.0)	.177 (4.5)	1.135 (28.8)
20	2.125 (54.0)	1.156 (29.4)	.177 (4.5)	1.260 (32.0)
22	2.125 (54.0)	1.250 (31.8)	.177 (4.5)	1.385 (35.2)
24	2.125 (54.0)	1.375 (34.9)	.177 (4.5)	1.510 (38.4)
28	2.125 (54.0)	1.562 (39.7)	.177 (4.5)	1.760 (44.7)
32	2.125 (54.0)	1.750 (44.5)	.209 (5.3)	2.010 (51.1)
36	2.125 (54.0)	1.938 (49.2)	.209 (5.3)	2.260 (57.4)
40	2.125 (54.0)	2.188 (55.6)	.209 (5.3)	2.510 (63.8)
44	2.125 (54.0)	2.438 (61.9)	.209 (5.3)	2.760 (70.1)
48	2.125 (54.0)	2.688 (68.3)	.209 (5.3)	3.010 (76.5)