

## Specifications

Insulation Resistance: 1,000M $\Omega$  min. at 500V DC  
 Dielectric Withstanding Voltage: 700V AC for 1 minute  
 Contact Resistance: 30m $\Omega$  max. at 10mA/20mV max.  
 Current Rating: 1A max.  
 Operating Temperature Range: -40°C to +150°C  
 Mating Cycles: 10,000 insertions min.

## Materials and Finish

Housing: Polyethersulphone (PES), Polyetherimide (PEI)  
 Contacts: Beryllium Copper (BeCu)  
 Plating: Gold over Nickel

## Features

- ◇ Card thickness 1.27mm
- ◇ Kelvin type contact which utilizes both sides of the contact system
- ◇ Easy insertion and extraction by latch

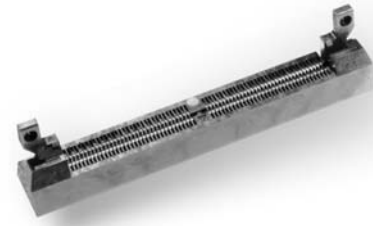
## Part Number (Details)

**IC-176 - 4 - MF**

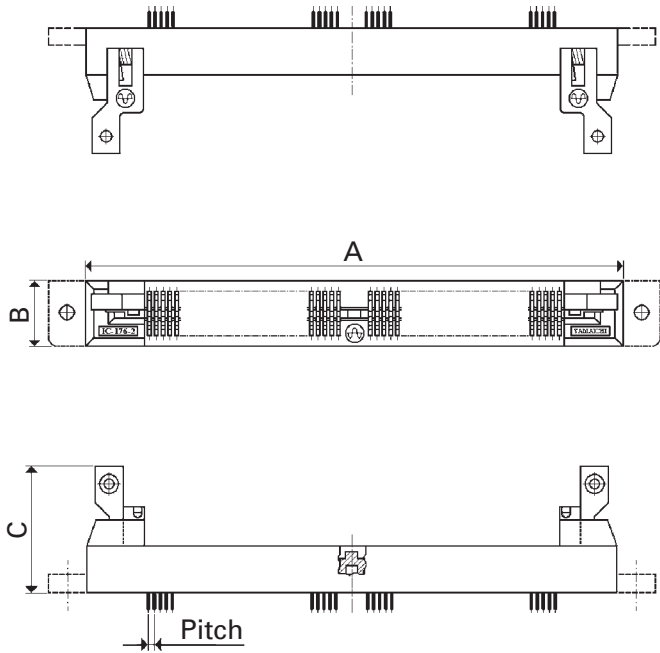
Series No.

Design Number

MF = Flanged  
 Unmarked = Not Flanged

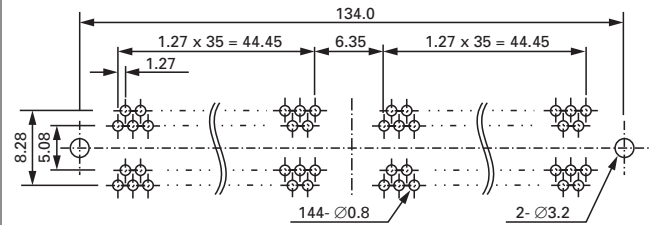


## Outline Socket Dimensions

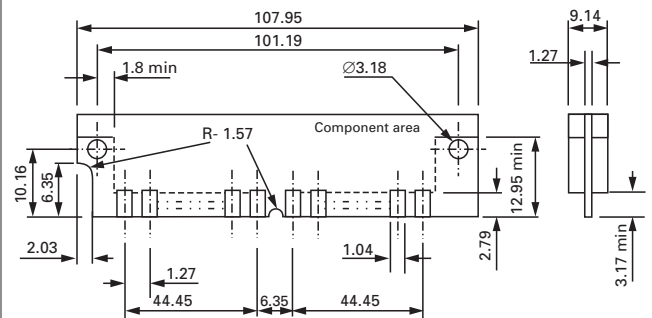


## IC-176-2-\*\*\*

Recommended PC Board Layout Top View from Socket



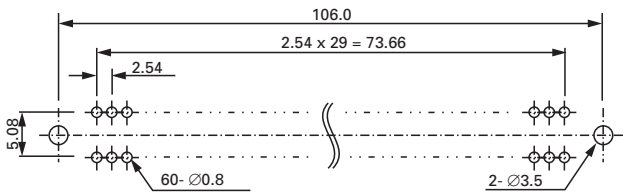
## Matching IC Dimensions



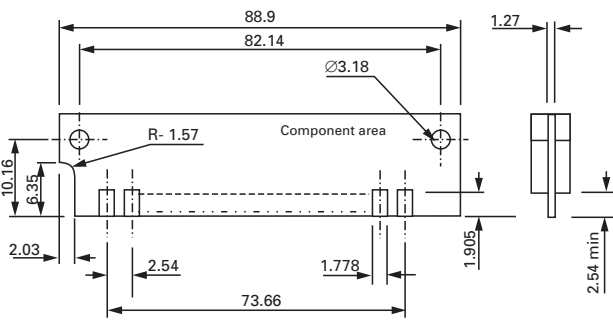
Part Number	Pin Count	Pitch	A	B	C
IC-176-4-***	30	2.54	100.0	9.0	30.0
IC-176-6-***	35	2.54	115.0	9.0	30.0
IC-176-8-***	64	1.27	115.0	15.0	30.0
IC-176-2-***	72	1.27	125.0	15.0	30.0
IC-176-10-***	100	1.27	161.4	17.0	30.0

## IC-176-4-\*\*

Recommended PC Board Layout Top View from Socket

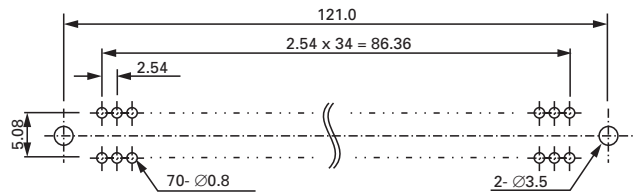


### Matching IC Dimensions

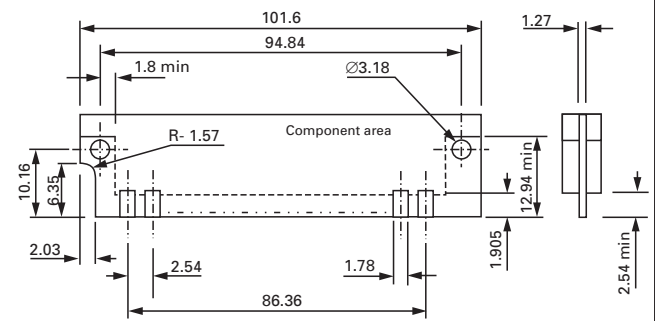


## IC-176-6-\*\*

Recommended PC Board Layout Top View from Socket

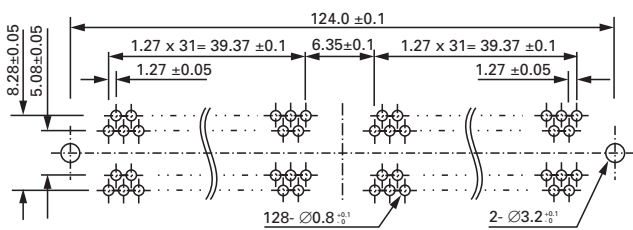


### Matching IC Dimensions



## IC-176-8-\*\*

Recommended PC Board Layout Top View from Socket



## IC-176-10-\*\*

Recommended PC Board Layout Top View from Socket

