

D38999
Series II

M24308

M55302

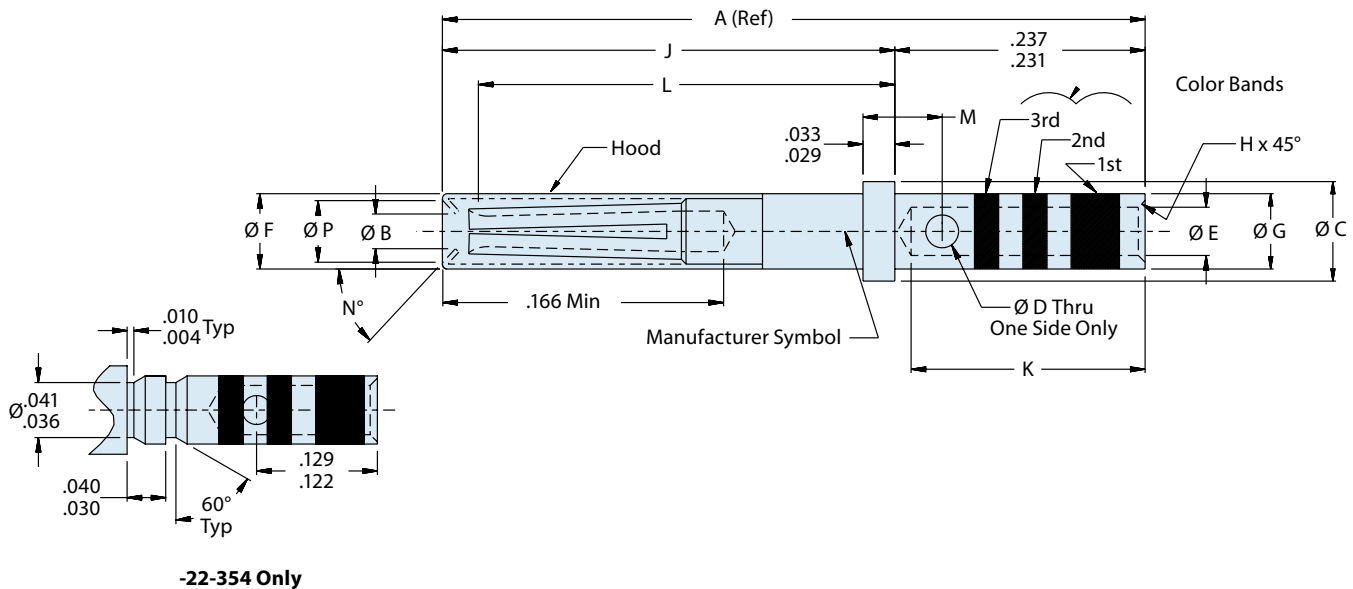
M83733

Standard Socket Crimp Contact for MIL-DTL-38999 Series II Connectors

A



Mating End Size	Wire Accomodation	Military Part Number	Glenair Part Number
22	22-28 AWG	M39029/57-354	850-003-22-354
20	20-24 AWG	M39029/57-357	850-003-20-357
16	16-20 AWG	M39029/57-358	850-003-16-358
12	12-14 AWG	M39029/57-359	850-003-12-359


Material and Finish*

Pin Contact: Copper Alloy/Gold Plated
 Socket Contact: Copper Alloy/Gold Plated
 Socket Contact Hood: Passivated Stainless Steel

* See pages A-4 and A-5 for detailed material specifications

M39029/57
850-003
Standard Duty Electrical Socket Contact



AS39029

A

TABLE I: CONTACT DIMENSIONS

Size	Part Number	Military Number	A (ref)	ø B Min.	ø C	ø D	ø E	ø F Max.	ø G	H	J
22	850-003-22-354	M39029/57-354	.518	.031	.062 .060	.022 .018	.0355 .0335	.062	.048 .046	.005 .003	.289 .279
20	850-003-20-357	M39029/57-357	.518	.0415	.094 .091	.032 .026	.048 .046	.078	.070 .068	.010 .005	.289 .279
16	850-003-16-358	M39029/57-358	.518	.064	.130 .127	.042 .036	.068 .066	.113	.103 .101	.010 .005	.289 .279
12	850-003-12-359	M39029/57-359	.518	.0955	.182 .179	.042 .036	.102 .098	.161	.151 .148	.016 .005	.289 .279

TABLE I (Continued): CONTACT DIMENSIONS

Size	Part Number	Military Number	K Min.	L Min.	M	N°	ø P Min.	Color Bands		
								1st	2nd	3rd
22	850-003-22-354	M39029/57-354	.141	.248	-	50 44	.047	Orange	Green	Yellow
20	850-003-20-357	M39029/57-357	.209	.248	.078 .072	47 28	.053	Orange	Green	Violet
16	850-003-16-358	M39029/57-358	.209	.248	.088 .082	47 28	.084	Orange	Green	Gray
12	850-003-12-359	M39029/57-359	.209	.248	.088 .082	47 28	.118	Orange	Green	White

TABLE II: TOOL COMPATIBILITY

Size	Part Number	Military Number	AWG Handling	Crimp Tool	Positioner	Insertion Tool	Extraction Tool
22	850-003-22-354	M39029/57-354	22, 24, 26, 28	M22520/2-01 M22520/7-01	M22520/2-06 M22520/7-06	M81969/14-01 M81969/8-01	M81969/14-01 M81969/8-02
20	850-003-20-357	M39029/57-357	20, 22, 24	M22520/7-01 M22520/2-01 M22520/1-01	M22520/7-08 M22520/2-10 M22520/1-04 (Red)	M81969/8-05 M81969/14-02	M81969/8-06 M81969/14-02
16	850-003-16-358	M39029/57-358	16, 18, 20	M22520/1-01 M22520/7-01	M22520/1-04 (Blue) M22520/7-04	M81969/8-07 M81969/14-03	M81969/8-08 M81969/14-03
12	850-003-12-359	M39029/57-359	12, 14	M22520/1-01	M22520/1-04 (Yellow)	M81969/8-09 M81969/14-04	M81969/8-10 M81969/14-04