

PLEASE CHECK WWW.MOLEX.COM FOR LATEST PART INFORMATION

Part Number: [5011894010](#)
Status: **Active**
Overview: [picoclap](#)
Description: 1.00mm (.039") Pitch Pico-Clasp™ Wire-to-Board Receptacle Housing, Dual Row, 40 Circuits

Documents:

[3D Model](#) [Product Specification PS-501571-001 \(PDF\)](#)
[Drawing \(PDF\)](#) [RoHS Certificate of Compliance \(PDF\)](#)
[Product Specification PS-501190-001 \(PDF\)](#)

General

Product Family	Crimp Housings
Series	501189
Overview	picoclap
Product Name	Pico-Clasp™

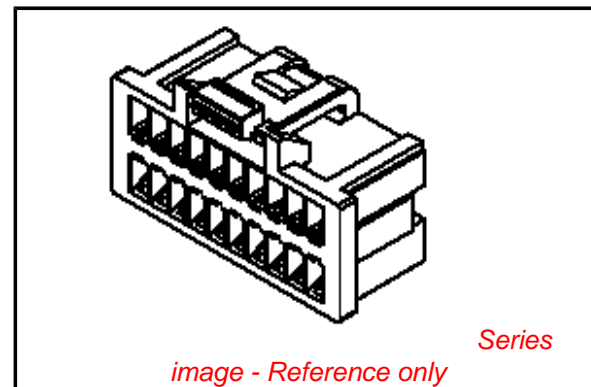
Physical

Breakaway	No
Circuits (maximum)	40
Color - Resin	White
Gender	Receptacle
Glow-Wire Compliant	No
Lock to Mating Part	Yes
Material - Resin	Nylon
Number of Rows	2
Packaging Type	Bag
Panel Mount	No
Pitch - Mating Interface (in)	0.039 In
Pitch - Mating Interface (mm)	1.00 mm
Polarized to Mating Part	Yes
Stackable	No
Temperature Range - Operating	-40°C to +85°C

Material Info

Reference - Drawing Numbers

Packaging Specification	SPK-501189-001
Product Specification	PS-501190-001, PS-501571-001, RPS-501190-001, RPS-501331-001, RPS-501571-006, RPS-501571-007, RPS-501571-008
Sales Drawing	SD-501189-002



EU RoHS

ELV and RoHS Compliant
REACH SVHC
 Not Reviewed
Halogen-Free Status
 Not Reviewed

China RoHS



Need more information on product environmental compliance?

Email productcompliance@molex.com
 For a multiple part number RoHS Certificate of Compliance, [click here](#)

Please visit the [Contact Us](#) section for any non-product compliance questions.

Search Parts in this Series

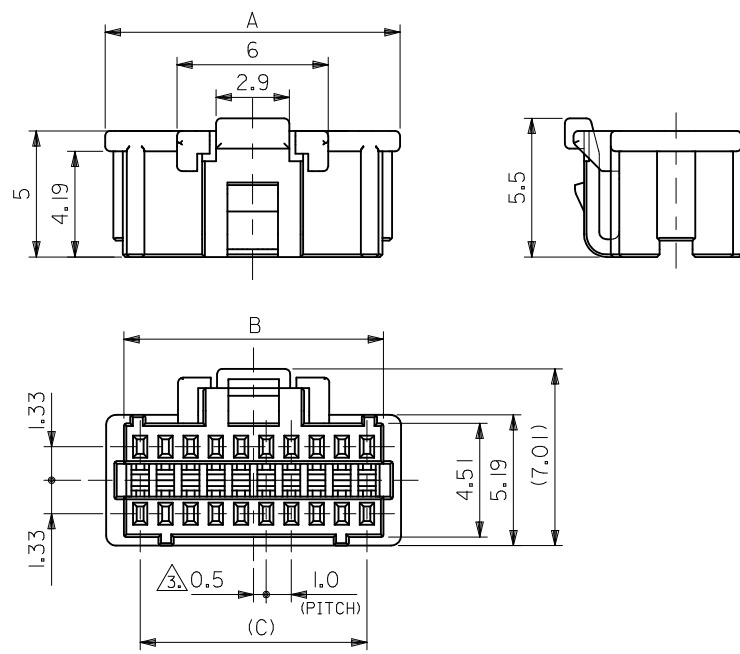
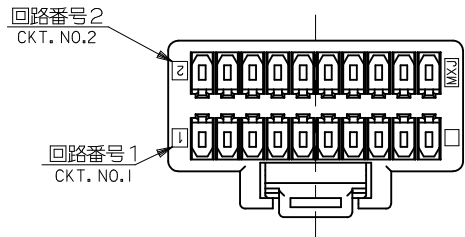
[501189Series](#)

Mates With

[501190](#) PCB Header Vertical . [501571](#) PCB Header Right Angle

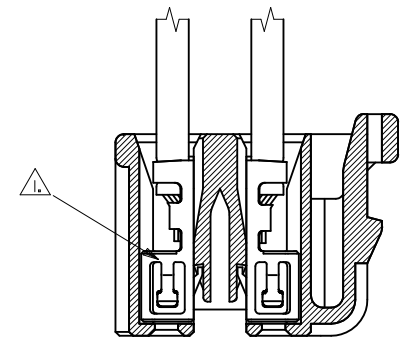
Use With

[501193](#) Crimp Terminal



NOTES.

- 1. 適合ターミナル：501193-****
APPLICABLE TERMINAL : 501193-****
- 2. 嵌合相手：501190-**1* , 501571-****
MATE WITH : 501190-**1* , 501571-****
- 3. 極数/2=偶数に適用。
APPLY FOR CIRCUIT SIZE/2=EVEN



ターミナル装着図
TERMINAL ASSEMBLY DRAWING

24	25.3	26.7	501189-5010	50
19	20.3	21.7	501189-4010	40
14	15.3	16.7	501189-3010	30
9	10.3	11.7	501189-2010	20
C	B	A	MATERIAL NO.	CKT.

MATERIAL 66NYLON UL94V-0 COLOR:WHITE GLASS FILLED:0%	REVISED EC NO.: J2010-2217 DRWN:THAYU 2010/05/12 CHKD:KASAKAWA 2010/05/13 APPR:NUKITA 2010/05/14	GENERAL TOLERANCES (UNLESS SPECIFIED)		DIMENSION STYLE MM ONLY		SCALE 5:1		DESIGN UNITS METRIC		THIRD ANGLE PROJECTION		
		10 UNDER	±0.2	DRAWN BY	DATE	TITLE						
		10 OVER 30 UNDER	±0.25	NYOSHIDA	2004/12/17	1.0 WIRE TO BOARD CONN. 2-ROW RECEPTACLE HOUSING						
		30 OVER	±0.3	CHECKED BY	DATE	MOLEX INCORPORATED						
ANGULAR ±3 °		DRAFT WHERE APPLICABLE MUST REMAIN WITHIN DIMENSIONS		APPROVED BY	DATE	MATERIAL NO.		DOCUMENT NO.		SHEET NO.		
				ANODA	2004/12/17	SEE CHART		SD-501189-002		1 OF 1		
				THIS DRAWING CONTAINS INFORMATION THAT IS PROPRIETARY TO MOLEX INCORPORATED AND SHOULD NOT BE USED WITHOUT WRITTEN PERMISSION								