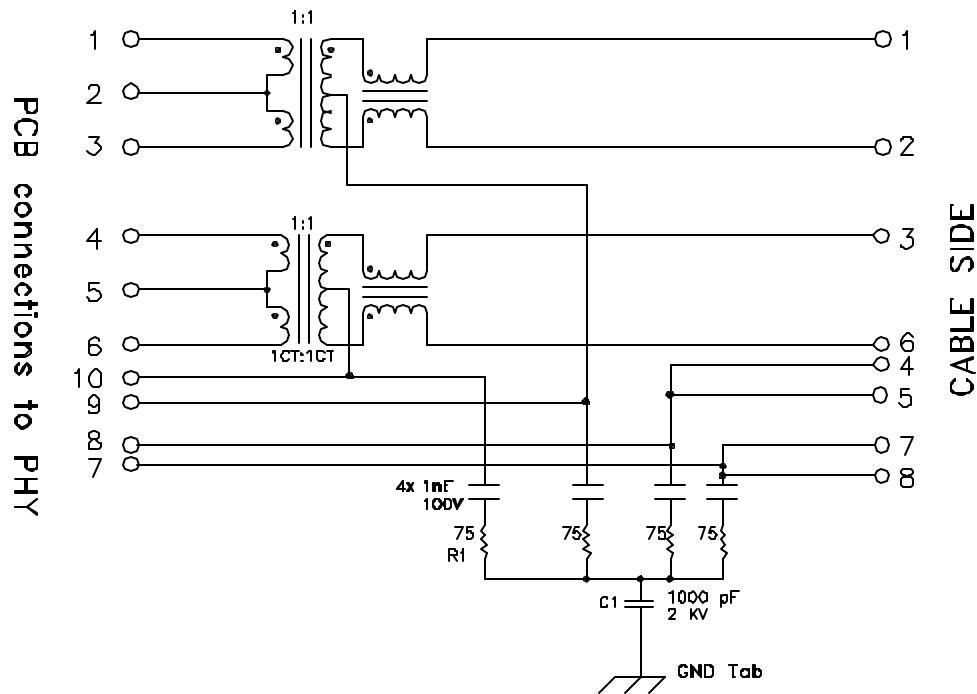


Schematic:



Electrical Specifications: @25°C

Isolation Voltage: 1500 VAc (Input to Output)

Turns Ratio: TX 1CT:1CT ±3% RX 1CT:1CT ±3%

Insertion Loss(TX/RX): -1.0dB Typ @1-100 MHz

Return Loss: 1-10MHz 30MHz 60-80MHz
 -20dB -16dB -12dB (Typ)

Cross Talk: 1-10MHz 30MHz 60-80MHz
 -40dB -35dB -30dB (Typ)

Common Mode Rejection: 1-50MHz 50-130MHz
 -26dB -20dB(Typ)

DC Current: 350mA

Notes:

1. Solderability: Leads shall meet MIL-STD-202G, Method 208H for solderability.
2. Flammability: UL94V-0
3. ASTM oxygen index: > 28%
4. Insulation System: Class F 155°C. UL file E151556
5. Operating Temperature Range: All listed parameters are to be within tolerance from -40°C to +85°C
6. Storage Temperature Range: -55°C to +125°C
7. Aqueous wash compatible
8. Electrical and mechanical specifications 100% tested
9. RoHS Compliant Component

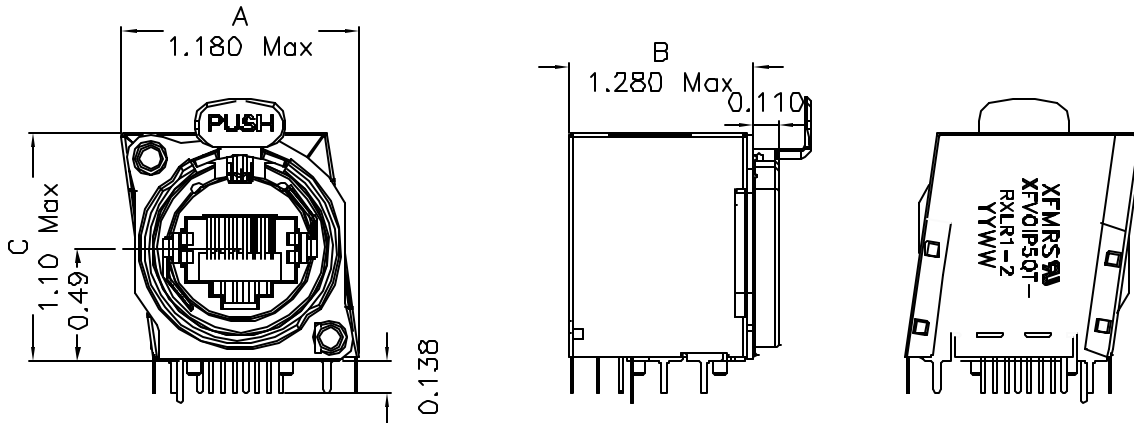
XFMRs Inc. www.XFMRS.com	Title: SINGLE PORT XLR COMBO		
	UNLESS OTHERWISE SPECIFIED		P/N: XFVOIP5QT-RXLR1-2
TOLERANCES: .xxx ±0.010	DWN.	Xiany	Sep-03-08
Dimensions in Inch	CHK.	YK Liao	Sep-03-08
SHEET 1 OF 2	APP.	BW	Sep-03-08

DOC. REV: A/2

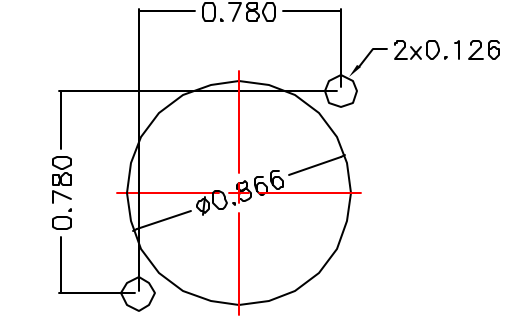
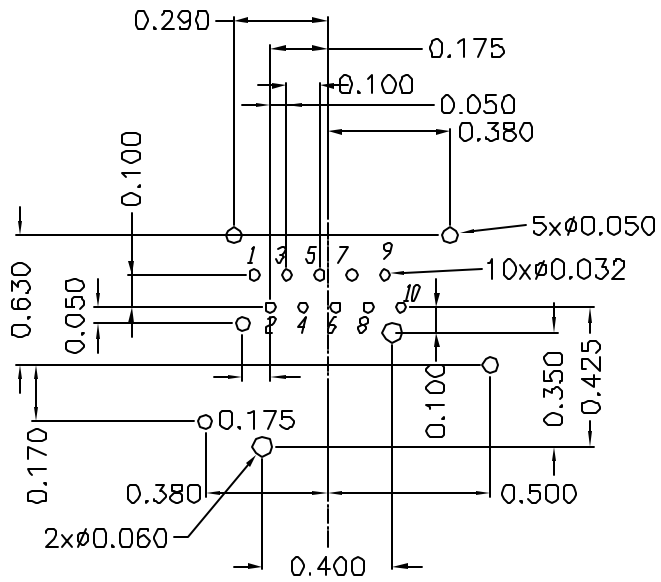
PROPRIETARY:

Document is the property of XFMRs Group & is not allowed to be duplicated without authorization.

Mechanical Dimensions:



Mounting Pattern:



Panel cut out(rear side)

SUGGESTED MOUNTING PATTERN (COMPONENT SIDE)

DOC. REV: A/2

XFMRSA Inc. www.XFMRS.com	Title: Mechanical Dimensions For RXLR1-2 Series		
	P/N: XFVDIP5QT-RXLR1-2		REV. A
UNLESS OTHERWISE SPECIFIED TOLERANCES: .xxx ±0.010 Dimensions in Inch	DWN.	Xiany	Sep-03-08
	CHK.	YK Liao	Sep-03-08
SHEET 2 OF 2	APP.	BW	Sep-03-08

PROPRIETARY:
 Document is the property of XFMRSA Group & is not allowed to be duplicated without authorization.