

PLEASE CHECK WWW.MOLEX.COM FOR LATEST PART INFORMATION

Part Number: [0446611002](#)
Status: **Active**
Overview: [modular_plugs_jacks](#)
Description: Modular Jack, Right Angle, Low Profile, 8/8

Documents:

Packaging Specification (PDF)	Test Summary (PDF)
3D Model	Product Specification PS-44560-003 (PDF)
Drawing (PDF)	RoHS Certificate of Compliance (PDF)

Agency Certification

CSA	LR19980
UL	E107635

General

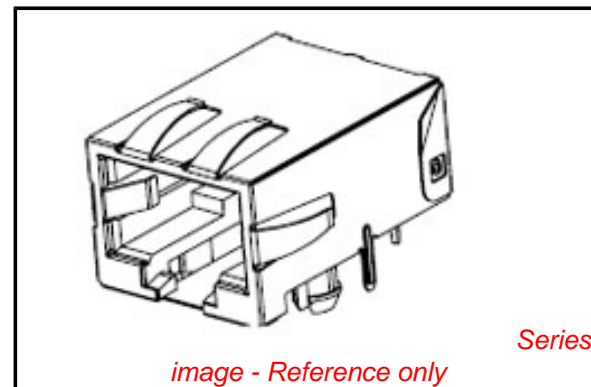
Product Family	Modular Jacks/Plugs
Series	44661
Comments	Enhanced panel grounding tabs
Component Type	PCB Jack
Magnetic	No
Overview	modular_plugs_jacks
Performance Category	5e
Power over Ethernet (PoE)	N/A
Product Name	RJ45

Physical

Color - Resin	Black
Durability (mating cycles max)	500
Flammability	94V-0
Inverted / Top Latch	No
Lightpipes/LEDs	None
Material - Metal	Phosphor Bronze
Material - Plating Mating	Gold
Material - Plating Termination	Tin
Material - Resin	High Temperature Thermoplastic
Orientation	Right Angle (Side Entry)
PCB Retention	Yes
PCB Thickness Recommended (in)	0.062 In
PCB Thickness Recommended (mm)	1.60 mm
Packaging Type	Tray
Plating min: Mating (µin)	50
Plating min: Mating (µm)	1.25
Plating min: Termination (µin)	100
Plating min: Termination (µm)	2.5
Ports	1
Positions / Loaded Contacts	8/8
Surface Mount Compatible (SMC)	Yes
Temperature Range - Operating	-40°C to +70°C
Termination Interface: Style	Through Hole
Wire/Cable Type	N/A

Electrical

Current - Maximum per Contact	1.5A
Grounding to Panel	Unshielded
Shielded	No
Voltage - Maximum	150V



EU RoHS

**ELV and RoHS
Compliant**
**REACH SVHC
Contains SVHC: No**
**Halogen-Free
Status
Not Reviewed**

China RoHS



**Need more information on product
environmental compliance?**

Email productcompliance@molex.com
 For a multiple part number RoHS Certificate of
 Compliance, [click here](#)

Please visit the [Contact Us](#) section for any
 non-product compliance questions.

Search Parts in this Series

[44661Series](#)

Mates With

FCC 68 Plugs

Solder Process Data

Duration at Max. Process Temperature (seconds)	5
Lead-free Process Capability	Wave Capable (TH only)
Max. Cycles at Max. Process Temperature	1
Process Temperature max. C	260

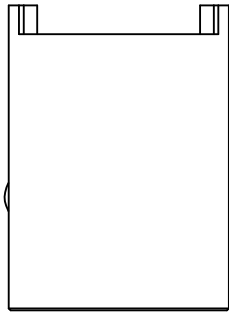
Material Info

Reference - Drawing Numbers

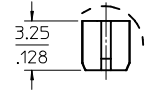
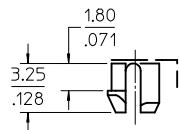
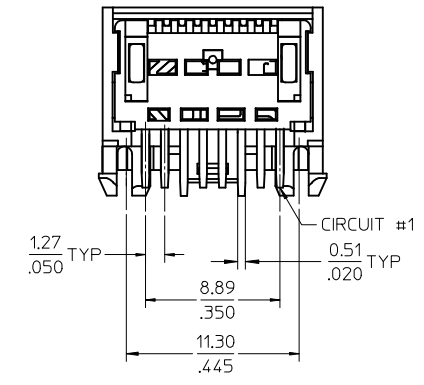
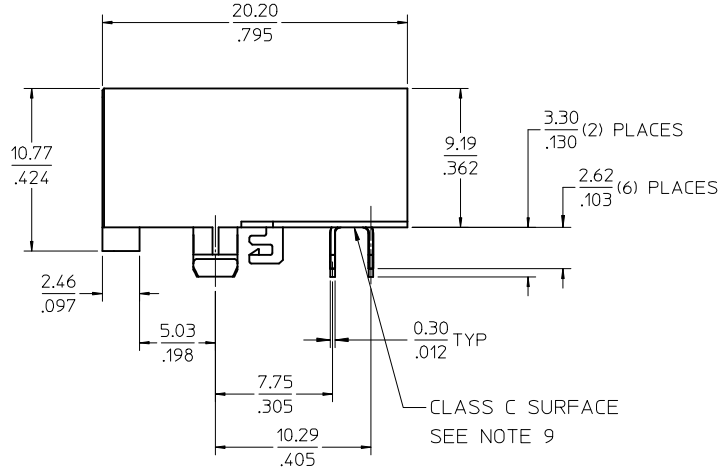
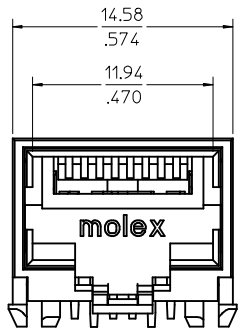
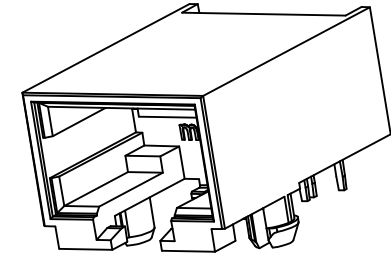
Packaging Specification	PK-44661-004
Product Specification	PS-44560-003, RPS-44560-004
Sales Drawing	SD-44661-001
Test Summary	TS-44560-003

This document was generated on 05/24/2010

PLEASE CHECK WWW.MOLEX.COM FOR LATEST PART INFORMATION



- NOTES:
- 1) MATERIAL:
HOUSING: NYLON(PA), GLASS FILLED, UL94V-0, COLOR: BLACK
TERMINALS: PHOSPHOR BRONZE
 - 2) FINISH:
TERMINALS:
SELECT GOLD IN CONTACT AREA: 1.27 MICROMETERS / 50 MICROINCHES MIN.,
SELECT MATTE TIN IN PC TAIL AREA: 2.54 MICROMETERS / 100 MICROINCHES MIN.,
WITH OVERALL NICKEL UNDERPLATE: 1.27 MICROMETERS / 50 MICROINCHES MIN.
 - 3) PRODUCT SPECIFICATION AND PROCESSING PARAMETERS: PS-44560-003.
 - 4) PACKAGING SPECIFICATION:
CONNECTOR PACKAGED IN TRAYS PER MOLEX PACKAGING SPECIFICATION
PK-44661-004.
 - 5) CONFORMS TO FCC REGULATION PART 68.5 FOR MODULAR JACKS.
 - 6) SEE SHEET (4) OF (4) FOR RECOMMENDED PANEL OPENING AND PCB LAYOUT.
 - 7) ASSEMBLY AVAILABLE WITH EITHER SNAP-FIT OR PRESS-FIT PEGS. THIS DRAWING SHOWS SNAP-FIT PEGS.
 - 8) TERMINAL LENGTHS MAY BE DIFFERENT FROM TERMINAL TO TERMINAL.
 - 9) THIS PART CONFORMS TO CLASS B REQUIREMENTS OF COSMETIC SPECIFICATION PS-45499-002 WITH THE EXCEPTION OF THE SURFACE INDICATED, WHICH IS A CLASS C SURFACE.
 - 10) THIS PRODUCT IS COMPLIANT TO RoHS DIRECTIVE 2002/95/EC AND ELV ANNEX II OF DIRECTIVE 2000/53/EC.



SNAP-FIT PEG

PRESS-FIT PEG

ASSEMBLY MATERIAL NUMBER	PEG STYLE
446610002	SNAP-FIT
446611002	PRESS-FIT

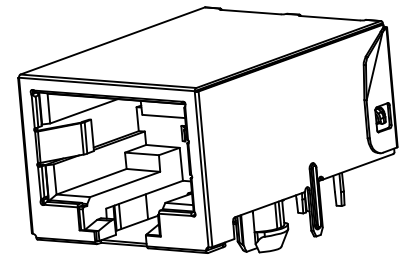
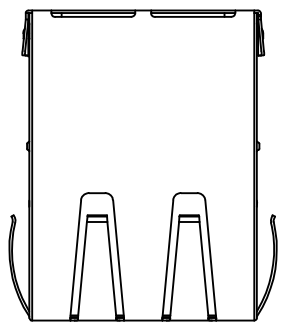
REV	DESCRIPTION	DATE	BY
G2	UPDATE NOTES	2009/07/28	JROBERTS
	EC NO: UCP2009-2791	2009/07/06	MKAMAR
	DRWN: BELLE	2009/07/22	MKAMAR
	CHKD: MKIPPER	2009/07/22	MKAMAR
	APPR: FSMITH	2009/07/23	JROBERTS

QUALITY SYMBOLS	GENERAL TOLERANCES (UNLESS SPECIFIED)
▽=0	mm INCH
▽=0	4 PLACES ± --- ± ---
	3 PLACES ± --- ± .012
	2 PLACES ± 0.30 ± ---
	1 PLACE ± --- ± ---
	ANGULAR ± 1/2°
	DRAFT WHERE APPLICABLE MUST REMAIN WITHIN DIMENSIONS

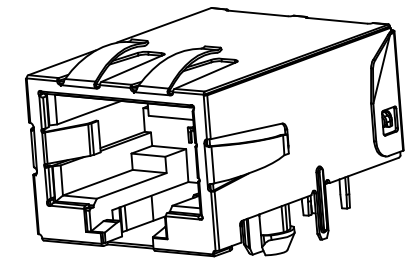
DIMENSION STYLE		SCALE		DESIGN UNITS		THIRD ANGLE PROJECTION	
MM/IN		4:1		INCH		THIRD ANGLE PROJECTION	
DRAWN BY	DATE	TITLE				COMPACT SINGLE PORT CATEGORY 5E MODJACK	
MKAMAR	00/04/07	DRAWN BY				DATE	
CHECKED BY	DATE	CHECKED BY				DATE	
MKAMAR	00/04/07	APPROVED BY				DATE	
JROBERTS	00/04/07	MATERIAL NO.				DOCUMENT NO.	
SEE CHART		SD-44661-001				SHEET NO.	
SIZE		THIS DRAWING CONTAINS INFORMATION THAT IS PROPRIETARY TO MOLEX INCORPORATED AND SHOULD NOT BE USED WITHOUT WRITTEN PERMISSION				1 OF 4	

MOLEX INCORPORATED	
SD-44661-001	
SHEET NO. 1 OF 4	

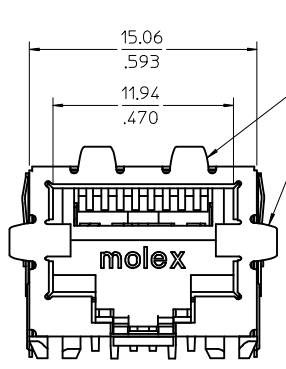
- NOTES:
 1) MATERIAL:
 HOUSING: NYLON(PA), GLASS FILLED, UL94V-0, COLOR: BLACK
 TERMINALS: PHOSPHOR BRONZE
 SHIELD: BRASS, 0.18 / .007 THICK
 2) FINISH:
 TERMINALS:
 SELECT GOLD IN CONTACT AREA: 127 MICROMETERS / 50 MICROINCHES MIN.,
 SELECT MATTE TIN IN PC TAIL AREA: 254 MICROMETERS / 100 MICROINCHES MIN.,
 WITH OVERALL NICKEL UNDERPLATE: 127 MICROMETERS / 50 MICROINCHES MIN.
 SHIELD:
 2.54 MICROMETERS / 100 MICROINCHES NICKEL OVER 1.27 MICROMETERS /
 50 MICROINCHES COPPER UNDERPLATE; PCB GROUND TABS DIPPED IN TIN
 3) PRODUCT SPECIFICATION AND PROCESSING PARAMETERS: PS-44560-003.
 4) PACKAGING SPECIFICATION:
 CONNECTOR PACKAGED IN TRAYS PER MOLEX PACKAGING
 SPECIFICATION PK-44661-004.
 5) CONFORMS TO FCC REGULATION PART 68.5 FOR MODULAR JACKS.
 6) ENHANCED GROUND TABS SHIELD (OPTION -B-) IS SHOWN IN THIS DRAWING.
 7) SEE SHEET (4) OF (4) FOR RECOMMENDED PANEL OPENING AND PCB LAYOUT.
 8) ASSEMBLY AVAILABLE WITH EITHER SNAP-FIT OR PRESS-FIT PEGS. THIS
 DRAWING SHOWS SNAP-FIT PEGS.
 9) TERMINAL LENGTHS MAY BE DIFFERENT FROM TERMINAL TO TERMINAL.
 10) THIS PART CONFORMS TO CLASS B REQUIREMENTS OF COSMETIC
 SPECIFICATION PS-45499-002 WITH THE EXCEPTION OF THE SURFACE
 INDICATED, WHICH IS A CLASS C SURFACE.
 11) THIS PRODUCT IS COMPLIANT TO RoHS DIRECTIVE 2002/95/EC AND ELV
 ANNEX II OF DIRECTIVE 2000/53/EC.



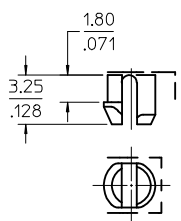
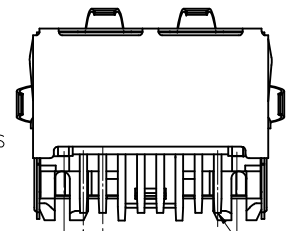
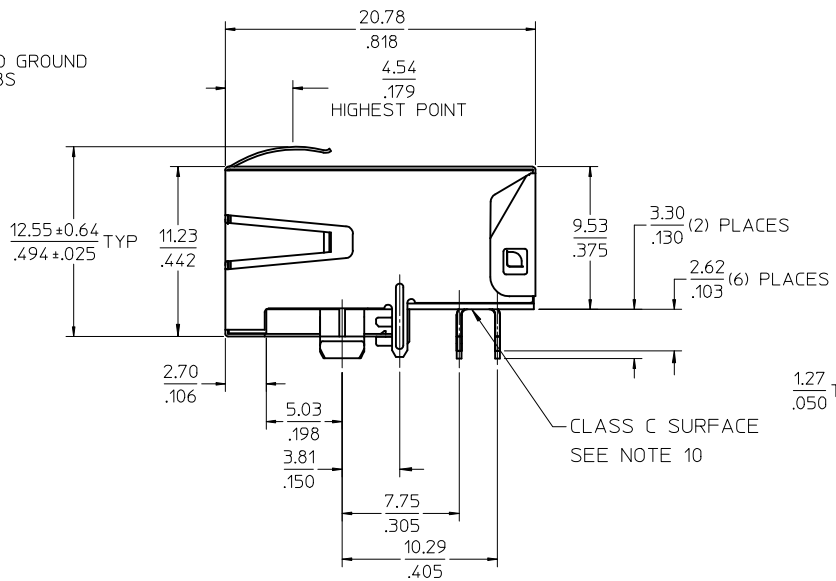
SHIELDING OPTION -A-
STANDARD SHIELD



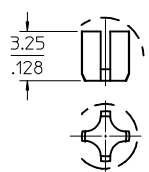
SHIELDING OPTION -B-
ENHANCED GROUND TABS



ENHANCED GROUND
TABS



SNAP-FIT PEG



PRESS-FIT PEG

ASSEMBLY MATERIAL NUMBER	PEG STYLE	SHIELDING OPTION
446610001	SNAP-FIT	A
446610011	SNAP-FIT	B
446611001	PRESS-FIT	A
446611011	PRESS-FIT	B

REV	DESCRIPTION	QUALITY SYMBOLS
G2	UPDATE NOTES EC NO: UCP2009-2791 DRWN: BELL CHKD: MIPPER APPR: FSMITH	= 0 = 0

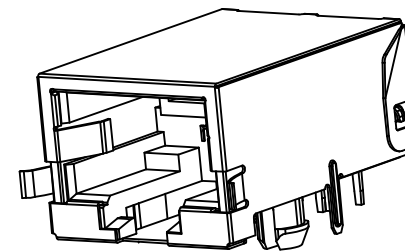
GENERAL TOLERANCES (UNLESS SPECIFIED)	
mm	INCH
4 PLACES ± .012	± .005
3 PLACES ± .012	± .005
2 PLACES ± 0.30	± .012
1 PLACE ± .012	± .005
ANGULAR ± 1/2°	

DIMENSION STYLE		SCALE	DESIGN UNITS	THIRD ANGLE PROJECTION
MM/IN		4:1	INCH	
DRAWN BY	DATE	TITLE		
MKAMAR	00/04/07	COMPACT SINGLE PORT CATEGORY 5E MODJACK		
CHECKED BY	DATE	MOLEX INCORPORATED		
MKAMAR	00/04/07	SD-44661-001		
APPROVED BY	DATE	SHEET NO.		
JROBERTS	00/04/07	2 OF 4		

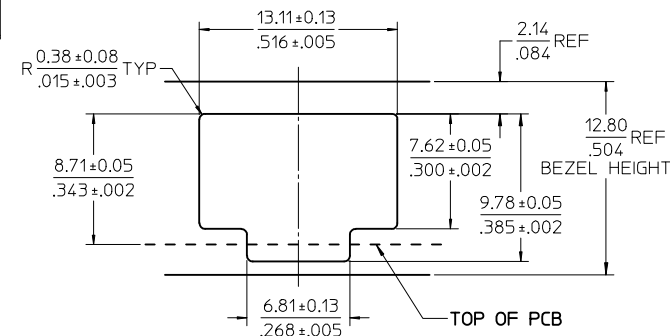
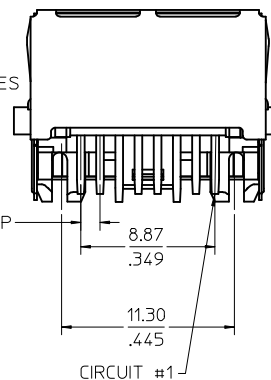
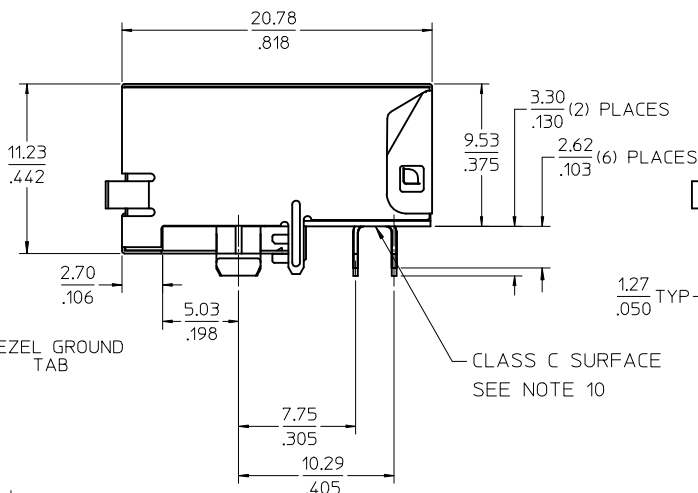
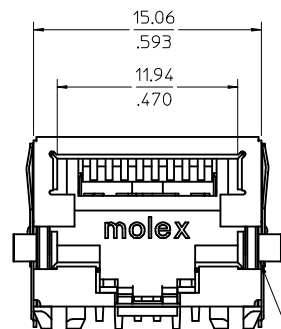
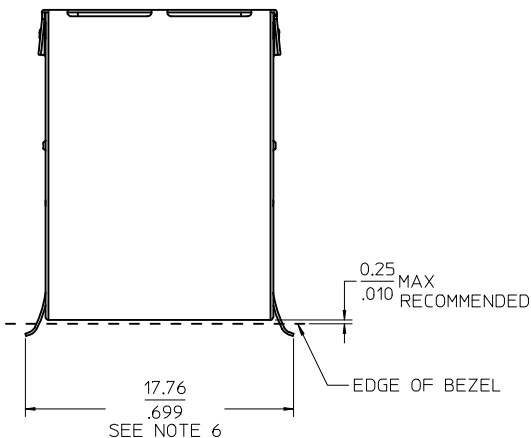
MATERIAL NO.		DOCUMENT NO.	SHEET NO.
SEE CHART		SD-44661-001	2 OF 4

THIS DRAWING CONTAINS INFORMATION THAT IS PROPRIETARY TO MOLEX INCORPORATED AND SHOULD NOT BE USED WITHOUT WRITTEN PERMISSION

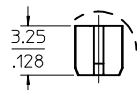
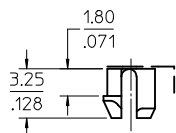
- NOTES:
- 1) MATERIAL:
HOUSING: NYLON (PA), GLASS FILLED, UL94V-0, COLOR: BLACK
TERMINALS: PHOSPHOR BRONZE
SHIELD: BRASS, 0.18 / .007 THICK
 - 2) FINISH:
TERMINALS:
SELECT GOLD IN CONTACT AREA: 1.27 MICROMETERS / 50 MICROINCHES MIN.
SELECT MATTE TIN IN PC TAIL AREA: 2.54 MICROMETERS / 100 MICROINCHES MIN.,
WITH OVERALL NICKEL UNDERPLATE: 1.27 MICROMETERS / 50 MICROINCHES MIN.
SHIELD:
2.54 MICROMETERS / 100 MICROINCHES NICKEL OVER 1.27 MICROMETERS /
50 MICROINCHES COPPER UNDERPLATE; PCB GROUND TABS DIPPED IN TIN.
 - 3) PRODUCT SPECIFICATION AND PROCESSING PARAMETERS: PS-44560-003.
 - 4) PACKAGING SPECIFICATION:
CONNECTOR PACKAGED IN TRAYS PER MOLEX PACKAGING
SPECIFICATION PK-44661-004.
 - 5) CONFORMS TO FCC REGULATION PART 68.5 FOR MODULAR JACKS.
 - 6) THIS DIMENSION HAS A MAXIMUM OF 20.45/0.805 WHEN THE JACK IS INSTALLED
BEHIND THE BEZEL.
 - 7) SEE SHEET (4) OF (4) FOR PCB LAYOUT.
 - 8) ASSEMBLY AVAILABLE WITH EITHER SNAP-FIT OR PRESS-FIT PEGS. THIS
DRAWING SHOWS SNAP-FIT PEGS.
 - 9) TERMINAL LENGTHS MAY BE DIFFERENT FROM TERMINAL TO TERMINAL.
 - 10) THIS PART CONFORMS TO CLASS B REQUIREMENTS OF COSMETIC
SPECIFICATION PS-45499-002 WITH THE EXCEPTION OF THE SURFACE
INDICATED, WHICH IS A CLASS C SURFACE.
 - 11) THIS PRODUCT IS COMPLIANT TO ROHS DIRECTIVE 2002/95/EC AND ELV
ANNEX II OF DIRECTIVE 2000/53/EC.



SHIELDING OPTION -C-
BEZEL GROUND TABS



RECOMMENDED
PANEL OPENING
FOR PMC BEZEL ONLY



SNAP-FIT PEG PRESS-FIT PEG

REV	DESCRIPTION	DATE	BY
G2	UPDATE NOTES	2009/07/06	UCP2009-2791
		2009/07/06	DRWIN:JBELL
		2009/07/22	CHKD:HKIPPER
		2009/07/23	APPR:FSMITH

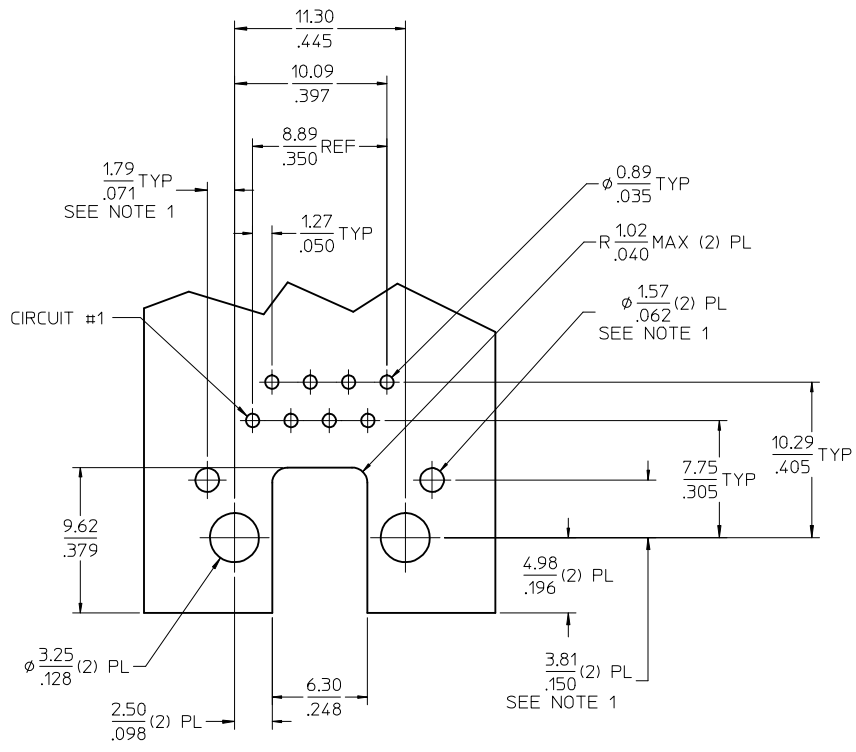
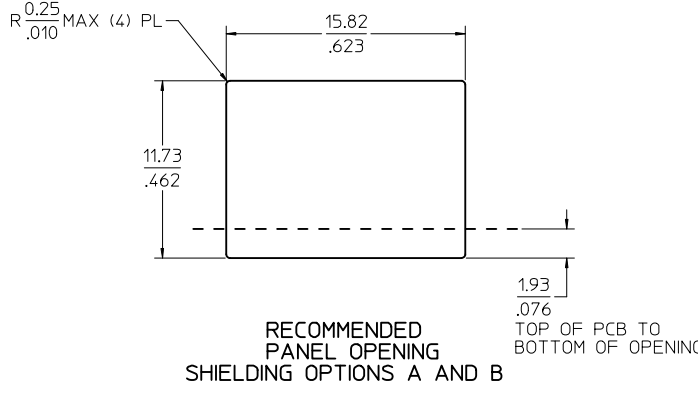
QUALITY SYMBOLS
▽=0
▽=0

GENERAL TOLERANCES (UNLESS SPECIFIED)	
mm	INCH
4 PLACES ± .012	± .0005
3 PLACES ± .012	± .0005
2 PLACES ± 0.30	± .012
1 PLACE ± .012	± .0005
ANGULAR ± 1/2°	

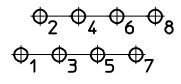
DRAFT WHERE APPLICABLE
MUST REMAIN
WITHIN DIMENSIONS

DIMENSION STYLE	
MM/IN	
DRAWN BY	DATE
MKAMAR	00/04/07
CHECKED BY	DATE
MKAMAR	00/04/07
APPROVED BY	DATE
JROBERTS	00/04/07
MATERIAL NO.	DOCUMENT NO.
SEE CHART	SD-44661-001
SIZE	
C	

SCALE	DESIGN UNITS	THIRD ANGLE PROJECTION
4:1	INCH	☉
TITLE		
COMPACT SINGLE PORT CATEGORY 5E MODJACK		
MATERIAL NO. DOCUMENT NO. SHEET NO.		
MOLEX INCORPORATED		
SD-44661-001 3 OF 4		
THIS DRAWING CONTAINS INFORMATION THAT IS PROPRIETARY TO MOLEX INCORPORATED AND SHOULD NOT BE USED WITHOUT WRITTEN PERMISSION		



PCB LAYOUT : COMPONENT SIDE
RECOMMENDED PCB THICKNESS (SNAP-FIT PEG) : 1.57/.062
TOLERANCE ±.076/.003 UNLESS OTHERWISE SPECIFIED



TYPICAL PC TERMINAL HOLE LAYOUT

NOTES:
1. DIMENSIONS REFER TO ASSEMBLIES WITH SHIELDING OPTION

EC NO: UCP2009-2791 DRWN:JBELL 2009/07/06 CHKD:MKIPPER 2009/07/22 APPR:FSMITH 2009/07/23	QUALITY SYMBOLS ▽=0 ▽=0	GENERAL TOLERANCES (UNLESS SPECIFIED)		DIMENSION STYLE	SCALE	DESIGN UNITS	THIRD ANGLE PROJECTION
		mm	INCH	MM/IN	4:1	INCH	
DESCRIPTION	REV	4 PLACES	± ---	± ---	DRAWN BY	DATE	TITLE
		3 PLACES	± ---	± .012	MKAMAR	00/04/07	
		2 PLACES	± 0.30	± ---	CHECKED BY	DATE	MOLEX INCORPORATED
		1 PLACE	± ---	± ---	MKAMAR	00/04/07	
		ANGULAR ±1/2°		APPROVED BY	DATE	DOCUMENT NO.	SHEET NO.
		DRAFT WHERE APPLICABLE MUST REMAIN WITHIN DIMENSIONS		JROBERTS	00/04/07		
				MATERIAL NO.	N/A		
				SIZE	THIS DRAWING CONTAINS INFORMATION THAT IS PROPRIETARY TO MOLEX INCORPORATED AND SHOULD NOT BE USED WITHOUT WRITTEN PERMISSION		