

**PLEASE CHECK WWW.MOLEX.COM FOR LATEST PART INFORMATION**

**Part Number:** [0497665001](#)  
**Status:** **Active**  
**Description:** 5.00mm (.197") Diameter Spark Plug Terminal, for Silicone Wire 0.5mm<sup>2</sup>;

**Documents:**

[Drawing \(PDF\)](#) [RoHS Certificate of Compliance \(PDF\)](#)  
[Product Specification PS-49766-001 \(PDF\)](#)

**General**

|                         |                       |
|-------------------------|-----------------------|
| Product Family          | Crimp Terminals       |
| Series                  | <a href="#">49766</a> |
| Crimp Quality Equipment | Yes                   |
| Product Name            | N/A                   |

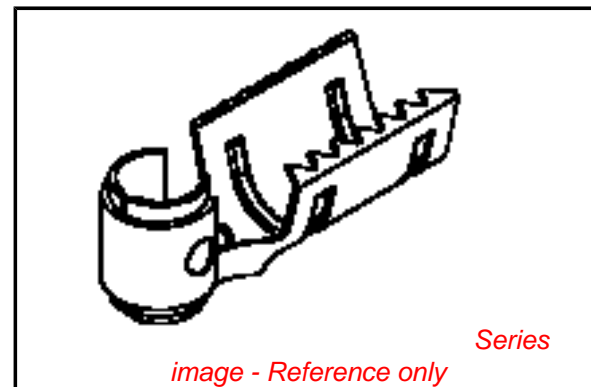
**Physical**

|                              |                      |
|------------------------------|----------------------|
| Gender                       | Female               |
| Material - Metal             | Stainless Steel      |
| Material - Plating Mating    | Unplated             |
| Packaging Type               | Reel                 |
| Termination Interface: Style | Crimp or Compression |
| Wire Insulation Diameter     | 5.00mm (.197")       |
| Wire Size AWG                | 20                   |
| Wire Size mm <sup>2</sup>    | 0.5                  |

**Material Info**

**Reference - Drawing Numbers**

|                       |              |
|-----------------------|--------------|
| Product Specification | PS-49766-001 |
| Sales Drawing         | SD-49766-001 |



**EU RoHS**

**ELV and RoHS  
Compliant**  
**REACH SVHC**  
 Not Reviewed  
**Halogen-Free  
Status**  
**Not Reviewed**

**China RoHS**



**Need more information on product  
environmental compliance?**

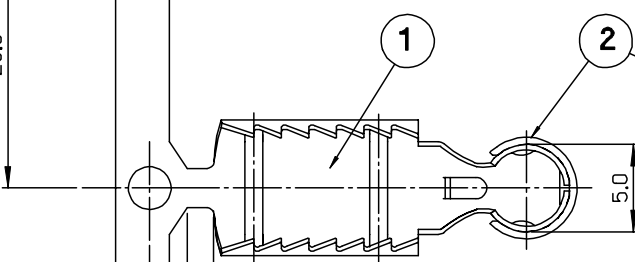
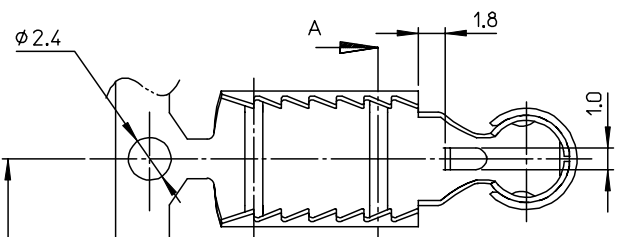
Email [productcompliance@molex.com](mailto:productcompliance@molex.com)  
 For a multiple part number RoHS Certificate of Compliance, [click here](#)

Please visit the [Contact Us](#) section for any non-product compliance questions.

**Search Parts in this Series**  
[49766Series](#)

**Use With**  
 Silicone Wire 0.5mm<sup>2</sup>;

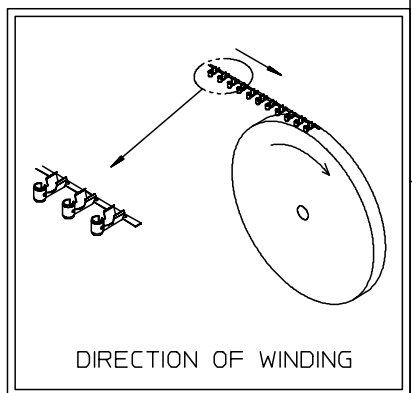
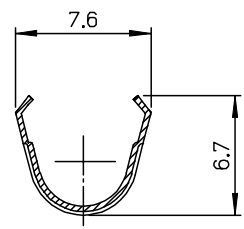
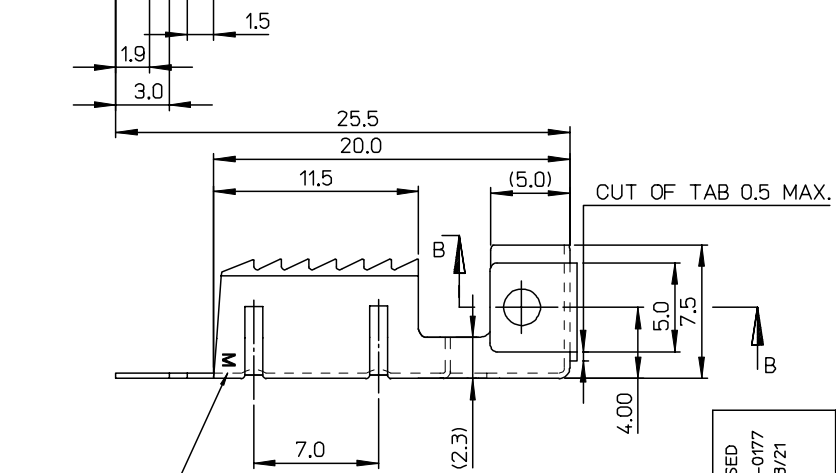
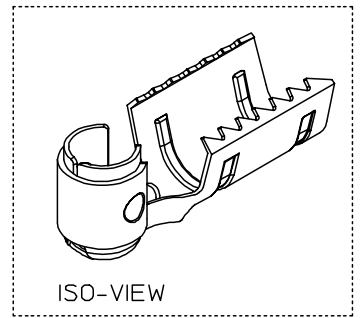
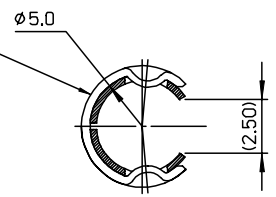
DWG. NO. SD-49766-001  
 SIMILAR ITEM  
 PROJECT NO.  
 DO NOT SCALE DRAWING  
 DIMENSION IN METRIC



NOTES  
 1. PART NO. AND MATERIAL

| NO | NAME | MATERIAL NO. | PART NO. | MATERIAL                 | THICKNESS |
|----|------|--------------|----------|--------------------------|-----------|
| 1  | BODY | ///          | ///      | STAINLESS-STEEL(SUS 304) | 0.3       |
| 2  | RING | ///          | ///      | STAINLESS-STEEL(SUS 301) | 0.4       |

2. INITIAL INSERTION FORCE : 5.0 Kg.f MAX.  
 EXTRACTION FORCE : INITIAL : 2.0 - 4.5 Kg.f  
 6TH : 1.2 Kg.f Min.



TRADE MARK (MK1)

|  |                                      |   |                     |                                 |  |   |  |                       |  |
|--|--------------------------------------|---|---------------------|---------------------------------|--|---|--|-----------------------|--|
| NEW RELEASED<br>ECN NO. KOR2005-0177<br>DRWN: J.B.JIN 05/03/21<br>CHK: W.Y.YANG<br>APPR: C.W.LEE | QUALITY SYMBOLS<br>MAJOR<br>CRITICAL | GENERAL TOLERANCES:<br>(UNLESS SPECIFIED)               |                     | SCALE<br>4:1                    | DESIGN UNITS<br><input checked="" type="checkbox"/> mm <input type="checkbox"/> INCH | THIRD ANGLE<br><input checked="" type="checkbox"/> mm <input type="checkbox"/> INCH<br><input type="checkbox"/> mm <input type="checkbox"/> INCH ONLY | SHT<br>REV   | REVISE ON<br>CAD ONLY |  |
|  |                                      | 4 PLACES ±0.     ±-                                     | 3 PLACES ±0.     ±- | 2 PLACES ±0.30     ±-           | 1 PLACE ±0.30     ±-   | DRAWN BY & DATE<br>J.B.JIN 04/12/08   | TITLE:<br>5.0 DIA SPARK PLUG TERMINAL<br>( BODY ASS'Y) |                       |  |
|  |                                      | ANGULAR: ± °  |                     |                                 |  | APPROVED BY & DATE<br>C.W.LEE 04/12/08  | MOLEX INCORPORATED                                     |                       |  |
|  |                                      | DRAFT WHERE APPLICABLE MUST<br>REMAIN WITHIN DIMENSIONS |                     | CAD FILENAME<br>S497665001AA.MI | MATERIAL NO.<br>497665001  | DRAWING NO.<br>SD-49766-001   | SHEET NO.<br>1 OF 1                                    |                       |  |

THIS DRAWING CONTAINS INFORMATION THAT IS PROPRIETARY TO MOLEX INCORPORATED AND SHOULD NOT BE USED WITHOUT WRITTEN PERMISSION.

SIZE B