

PLEASE CHECK WWW.MOLEX.COM FOR LATEST PART INFORMATION

Part Number: [0850481794](#)
Status: **Active**
Overview: [din_41612](#)
Description: 2.54mm (.100") Pitch DIN 41612/IEC 603-2 Mixed Layout Connector, Through Hole, Vertical, Female Style M, 78 Circuits

Documents:

[Drawing \(PDF\)](#) [RoHS Certificate of Compliance \(PDF\)](#)

General

Product Family	Backplane Connectors
Series	85048
Application	Daughtercard
Comments	Mixed Layout
Component Type	PCB Receptacle
Overview	din_41612
Product Name	IEC 603-2/DIN 41612
Style	M

Physical

Circuits (Loaded)	78
Circuits (maximum)	78
Circuits Detail	Standard Contacts at A:a4-a29; B:b4-b29; C:c4-c29
Durability (mating cycles max)	400
First Mate / Last Break	No
Guide to Mating Part	No
Keying to Mating Part	Yes
Material - Metal	Copper Alloy
Material - Plating Mating	Gold
Material - Plating Termination	Tin
Number of Columns	26
Number of Pairs	Open Pin Field
Number of Rows	3
Orientation	Vertical
PC Tail Length (in)	0.114 In
PC Tail Length (mm)	2.90 mm
PCB Locator	No
PCB Retention	Yes
Packaging Type	Carton
Pitch - Mating Interface (in)	0.100 In
Pitch - Mating Interface (mm)	2.54 mm
Pitch - Term. Interface (in)	0.100 In
Pitch - Term. Interface (mm)	2.54 mm
Plating min: Mating (µin)	24
Plating min: Mating (µm)	0.60
Polarized to PCB	Yes
Stackable	No
Surface Mount Compatible (SMC)	No
Temperature Range - Operating	-55°C to +125°C
Termination Interface: Style	Through Hole

Electrical

Current - Maximum per Contact	1A
Data Rate	622.0 Mbps
Voltage - Maximum	250V AC (RMS)

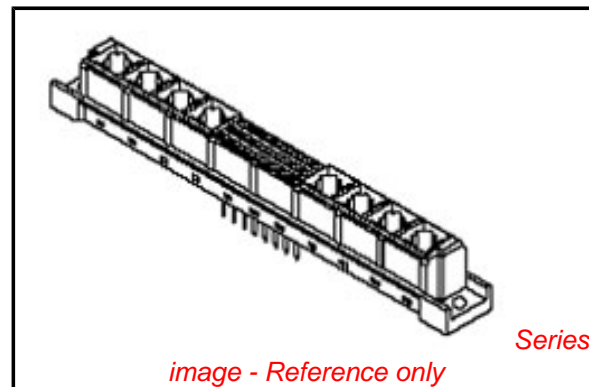


image - Reference only

EU RoHS **China RoHS**

Compliance Status

Not Reviewed

REACH SVHC

Not Reviewed

Halogen-Free

Status

Not Reviewed

Need more information on product environmental compliance?

Email productcompliance@molex.com
 For a multiple part number RoHS Certificate of Compliance, [click here](#)

Please visit the [Contact Us](#) section for any non-product compliance questions.

Search Parts in this Series

[85048Series](#)

Mates With

DIN 41612/EIC 603-2 Mixed Layout Connector [85009](#) , [85017](#)

Material Info

Reference - Drawing Numbers

Packaging Specification

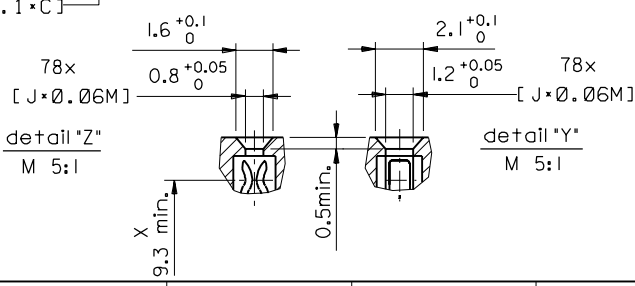
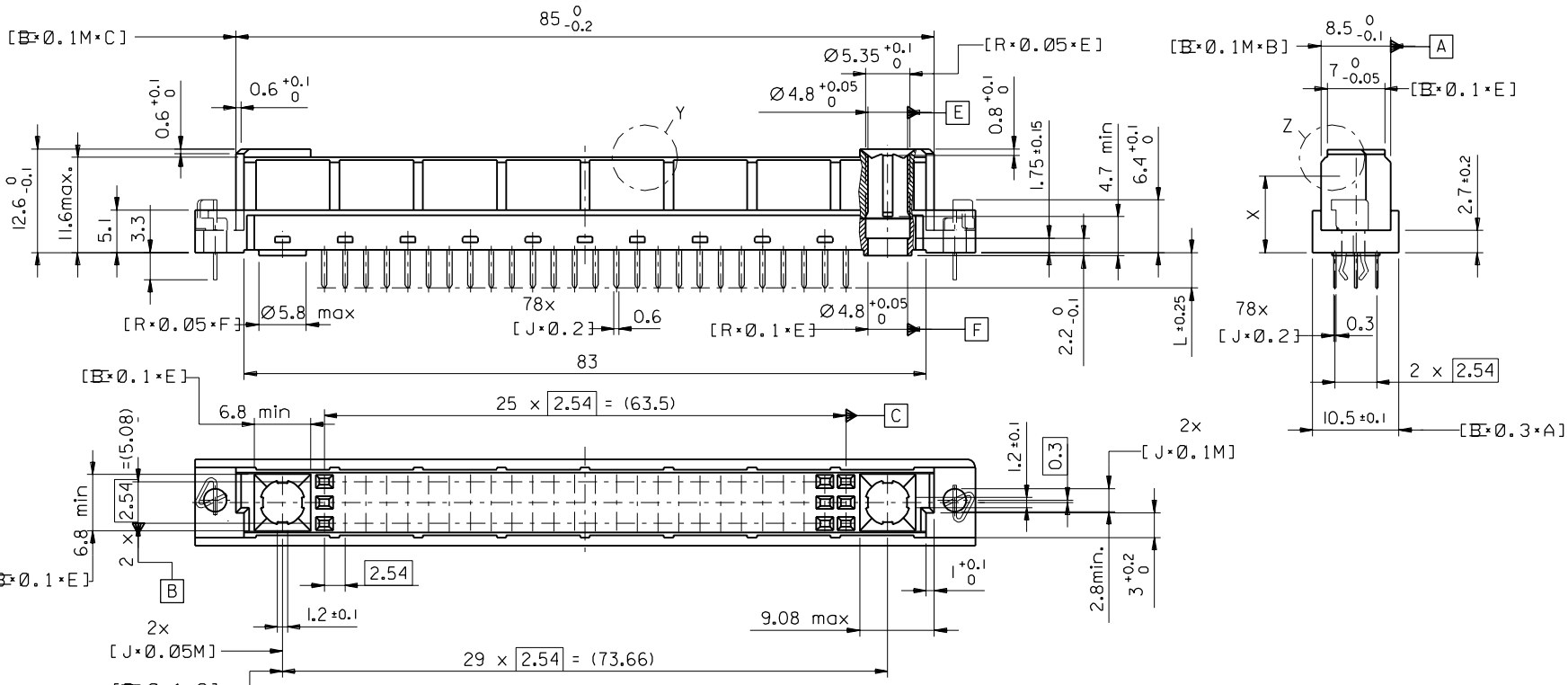
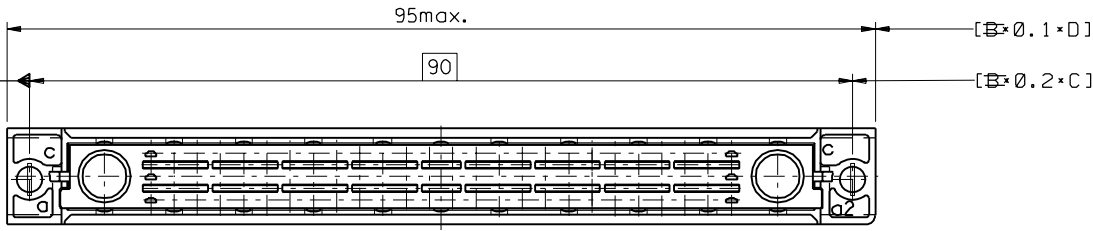
Sales Drawing

PK-85048-001

SD-85048-0001, SDA-85048-1794

This document was generated on 05/17/2010

PLEASE CHECK WWW.MOLEX.COM FOR LATEST PART INFORMATION



FIRST ANGLE PROJECTION		REVISE ONLY ON CAD SYSTEM		SH.	REV.
UNLESS OTHERWISE SPECIFIED TOLERANCES: ANGULAR ±2°	DRWG BY	CAD/CAM PROJECT NAME		THIS DRAWING CONTAINS INFORMATION THAT IS PROPRIETARY TO MOLEX INC. & SHOULD NOT BE USED WITHOUT WRITTEN PERMISSION	
INCH	KN	85048000 611			
METRIC	Ca	TITLE			
3 PLACE ±		78 pol. Federleiste			
2 PLACE ±		78 pos. female connector			
1 PLACE ±		DIN 41612, style M			
DRAFT WHERE APPLICABLE MUST REMAIN WITHIN DIMENSIONS		MOLEX EUROPE		SHEET NO. DATE	
DESIGN DIMENSION	<input checked="" type="checkbox"/> MM	MOLEX EUROPE		1 OF 2 97/04/11	
EQUIVALENT DIMENSION	<input type="checkbox"/> IN.	SCALE		PART NO. DWG NO.	
IF TWO DIMENSIONS ARE SHOWN THE UPPER IS THE DESIGN DIMENSION, LOWER IS SECONDARY		2:1		SD-85048-0001	

ECN 2478
first release

LTR REVISIONS

FOR PREVIOUS REVISIONS SEE MRI LIST

3 PLACE ±	±
2 PLACE ±	±
1 PLACE ±	±

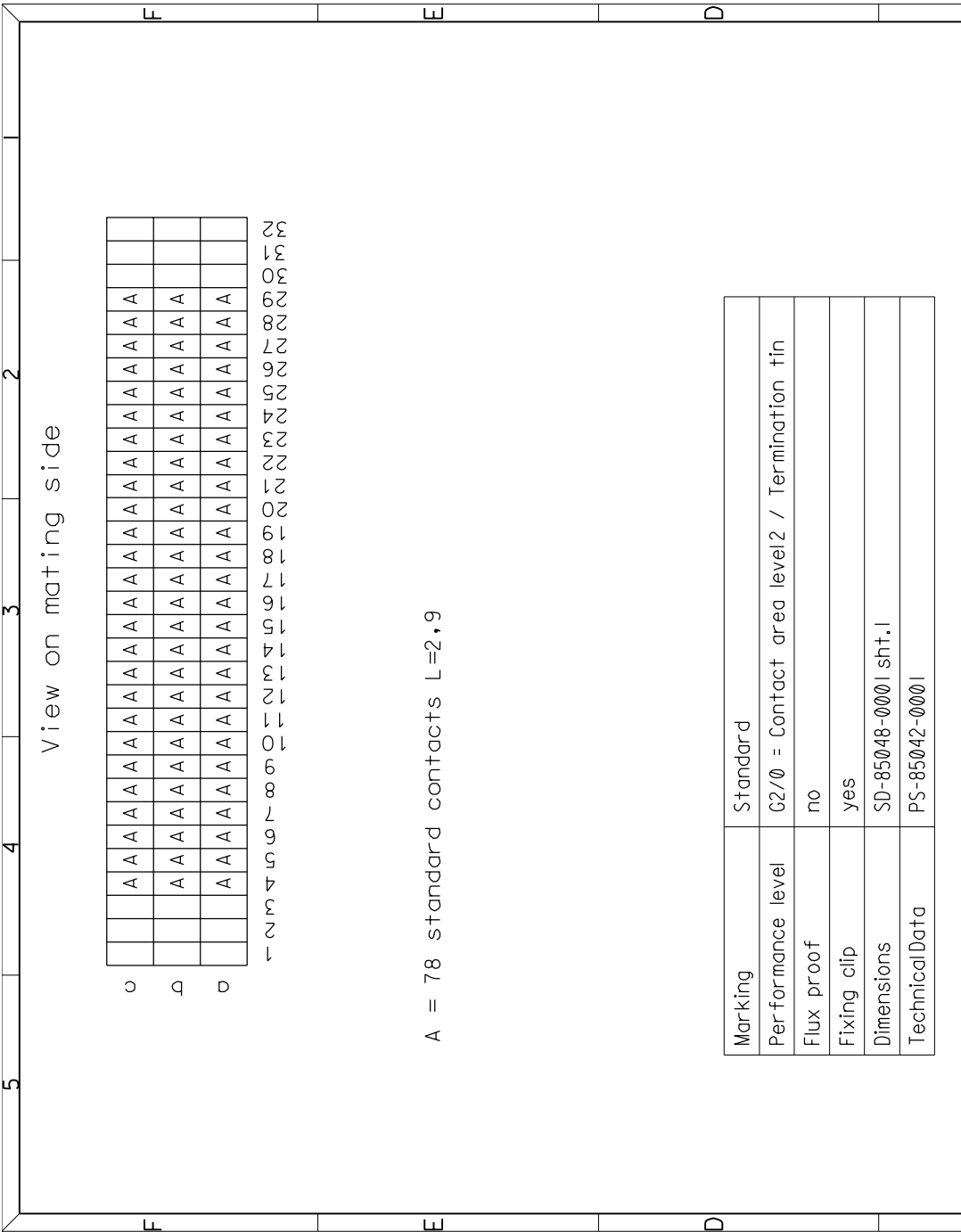
DRWG BY SIGN

CHK'D BY SIGN

APP'D BY SIGN

SCALE

2:1



View on mating side

A = 78 standard contacts L=2,9

Marking	Standard
Performance level	G2/0 = Contact area level2 / Termination tin
Flux proof	no
Fixing clip	yes
Dimensions	SD-85048-0001 sht.1
Technical Data	PS-85042-0001

A	G2/0	a4-29	b4-29	c4-29
Contact symbol	Perform. level	Contact position number		

ECN No. MC1999-0057 first release	REVISIONS	FOR PREVIOUS REVISIONS SEE MRI LIST		UNLESS OTHERWISE SPECIFIED TOLERANCES: ANGULAR ±2° INCH METRIC 3 PLACE ± . 2 PLACE ± . 1 PLACE ± . DRAFT WHERE APPLICABLE MUST REMAIN WITHIN DIMENSIONS	DRWG BY Ca	SIGN	REVISE ONLY ON CAD SYSTEM	SH. REV.
		3 PLACE ± . 2 PLACE ± . 1 PLACE ± .	CHK'D BY Er		SIGN	CAD/CAM PROJECT NAME s8504817 s91	THIS DRAWING CONTAINS INFORMATION THAT IS PROPRIETARY TO MOLEX INC. & SHOULD NOT BE USED WITHOUT WRITTEN PERMISSION	
REVISIONS		DRAFT WHERE APPLICABLE MUST REMAIN WITHIN DIMENSIONS	APP'D BY FB	SIGN	TITLE 78 pos. female connector acc. DIN 41612, style M contacts arrangement		SHEET NO. 1 OF 1	DATE 98/09/04
LTR		DESIGN DIMENSION <input type="checkbox"/> MM <input type="checkbox"/> IN. EQUIVALENT DIMENSION <input type="checkbox"/> MM <input type="checkbox"/> IN. IF TWO DIMENSIONS ARE SHOWN, THE UPPER IS THE DESIGN DIMENSION, LOWER IS SECONDARY	SCALE	PART NO. 85048-1794		DWG NO. SDA-85048-1794	SIZE A	