

PLEASE CHECK WWW.MOLEX.COM FOR LATEST PART INFORMATION

Part Number: [0015453316](#)
Status: **Active**
Overview: [cgrid_sl_products](#)
Description: 2.54mm (.100") Pitch C-Grid® PCB Connector, Surface Mount, High Profile, Dual Row, Vertical, 16 Circuits

Documents:

[3D Model](#) [Product Specification PS-71395 \(PDF\)](#)
[Drawing \(PDF\)](#) [RoHS Certificate of Compliance \(PDF\)](#)

Agency Certification

CSA E29179
 UL E29179

General

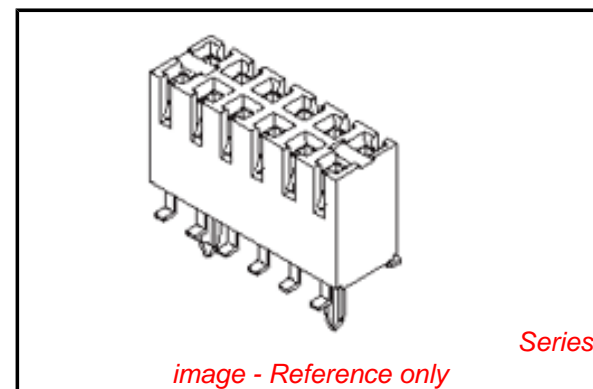
Product Family PCB Receptacles
 Series [71395](#)
 Application Board-to-Board
 Overview [cgrid_sl_products](#)
 Product Name C-Grid®

Physical

Circuits (Loaded) 16
 Color - Resin Black
 Durability (mating cycles max) 50
 Flammability 94V-0
 Glow-Wire Compliant No
 Guide to Mating Part No
 Keying to Mating Part None
 Lock to Mating Part No
 Material - Metal Phosphor Bronze
 Material - Plating Mating Gold
 Material - Plating Termination Tin
 Material - Resin High Temperature Thermoplastic
 Number of Rows 2
 Orientation Vertical
 PC Tail Length (in) 0.058 In
 PC Tail Length (mm) 1.47 mm
 PCB Locator Yes
 PCB Retention None
 Packaging Type Tray
 Pitch - Mating Interface (in) 0.100 In
 Pitch - Mating Interface (mm) 2.54 mm
 Plating min: Mating (µin) 30
 Plating min: Mating (µm) 0.75
 Plating min: Termination (µin) 75
 Plating min: Termination (µm) 1.875
 Polarized to PCB No
 Surface Mount Compatible (SMC) N/A
 Temperature Range - Operating -40°C to +105°C
 Termination Interface: Style Surface Mount

Electrical

Current - Maximum per Contact 2.5A
 Grounding to PCB No
 Voltage - Maximum 250V



EU RoHS

ELV and RoHS Compliant
REACH SVHC
 Not Reviewed
Halogen-Free Status
Not Reviewed

China RoHS



Need more information on product environmental compliance?

Email productcompliance@molex.com
 For a multiple part number RoHS Certificate of Compliance, [click here](#)

Please visit the [Contact Us](#) section for any non-product compliance questions.

Search Parts in this Series

[71395Series](#)

Mates With

[8624](#) C-Grid® Breakaway Header, [70246](#) Straight Header, [70247](#) Right Angle Header, [70287](#) C-Grid® Header, [70227](#) Dual Row C-Grid® Header, [70567](#) C-Grid® Header, [70280](#) C-Grid® Breakaway Header, [70524](#) C-Grid® Breakaway Header, [Z](#)

Solder Process Data

Lead-free Process Capability
Process Temperature max. C

Reflow Capable (SMT only)
260

Material Info

Old Part Number

713951216

Reference - Drawing Numbers

Application Specification

AS-71395-001

Packaging Specification

PK-70873-0304

Product Specification

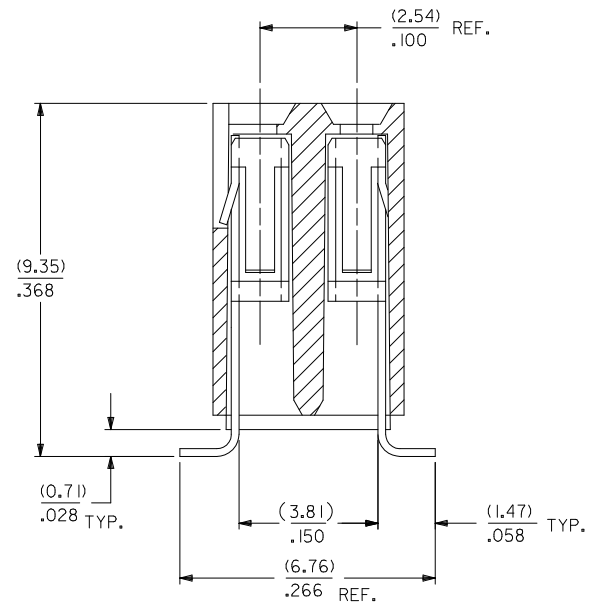
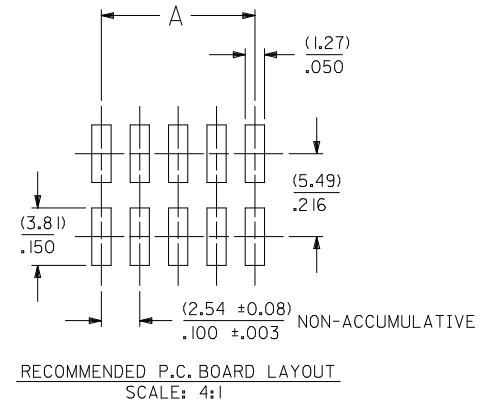
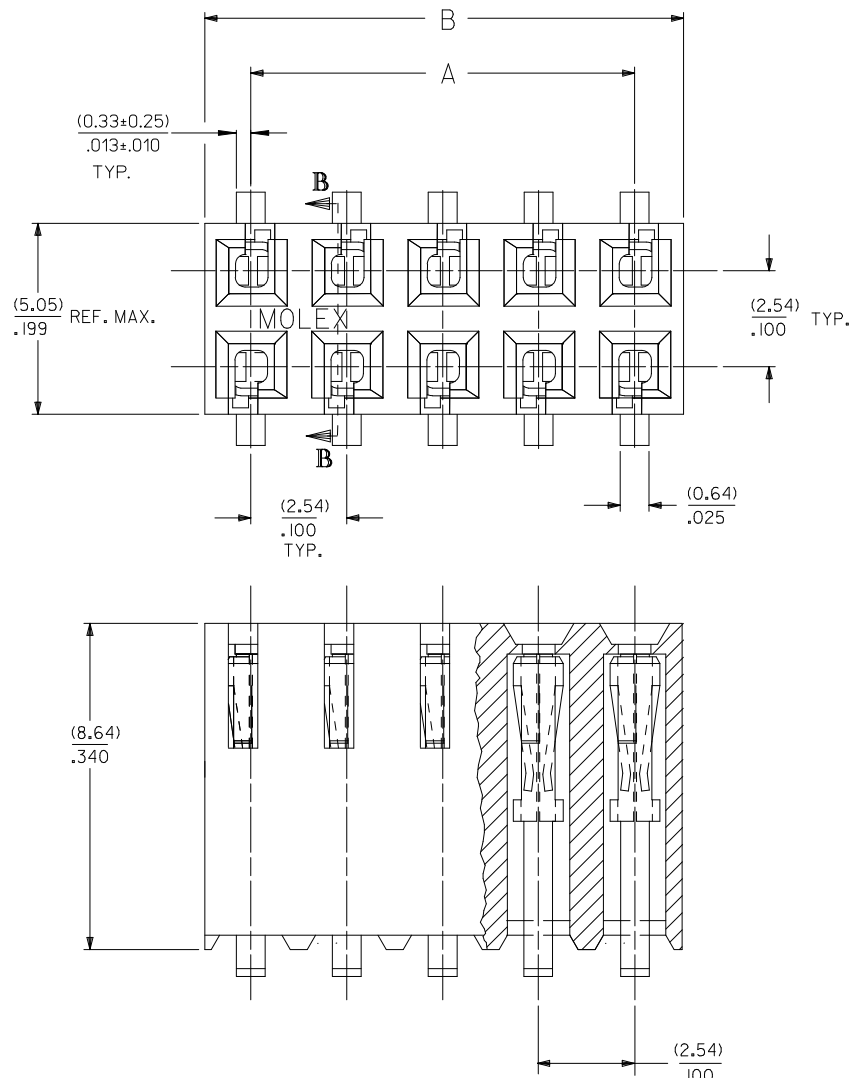
PS-71395

Sales Drawing

SDA-71395-1***

This document was generated on 05/31/2010

PLEASE CHECK WWW.MOLEX.COM FOR LATEST PART INFORMATION



SECTION B-B

- VERSION WITHOUT PCB RETENTION PEGS -

NOTES:

- 1 - HOUSING MATERIAL: GLASS FILLED LCP (LIQUID CRYSTAL POLYMER), UL 94V-0, COLOR: BLACK.
- 2 - TERMINAL MATERIAL: (0.20)/.008 PHOSPHOR BRONZE
- 3 - SEE SHEET 2 FOR CIRCUIT SIZES AND OVER-ALL DIMENSIONS
- 4 - PART CONFORMS TO PS-71395
- 5 - PACKAGING:
FOR TRAY PACK SEE PK-70873-0304.
FOR TAPE AND REEL PACK SEE PK-71395-001.
- 6 - PRODUCT COMPLIES WITH CLASS B OF COSMETIC SPECIFICATION PS-45499-002.

ADD 71395-5040 EC NO: UCP2010-1001 DRWN:MSI BARRA 2009/10/14 CHKD:DMORGAN 2009/12/01 APPR:SMILLER 2009/12/01 REV N	DESCRIPTION	QUALITY SYMBOLS	GENERAL TOLERANCES (UNLESS SPECIFIED)	DIMENSION STYLE	SCALE	DESIGN UNITS	THIRD ANGLE PROJECTION												
		$\nabla = 0$ $\nabla = 0$ $\nabla = 0$	<table border="1"> <tr> <th></th> <th>mm</th> <th>INCH</th> </tr> <tr> <td>4 PLACES</td> <td>± .010</td> <td>± .004</td> </tr> <tr> <td>3 PLACES</td> <td>± .010</td> <td>± .010</td> </tr> <tr> <td>2 PLACES</td> <td>± 0.25</td> <td>± .014</td> </tr> <tr> <td>1 PLACE</td> <td>± 0.35</td> <td>± .014</td> </tr> </table>		mm	INCH	4 PLACES	± .010	± .004	3 PLACES	± .010	± .010	2 PLACES	± 0.25	± .014	1 PLACE	± 0.35	± .014	MM/IN
	mm	INCH																	
4 PLACES	± .010	± .004																	
3 PLACES	± .010	± .010																	
2 PLACES	± 0.25	± .014																	
1 PLACE	± 0.35	± .014																	
			DRAFT WHERE APPLICABLE MUST REMAIN WITHIN DIMENSIONS	DRAWN BY	DATE	TITLE													
				CHECKED BY	DATE	MOLEX INCORPORATED													
				APPROVED BY	DATE														
				MATERIAL NO.	DOCUMENT NO.		SHEET NO.												
				SEE CHART	SDA-71395-1***		1 OF 3												
THIS DRAWING CONTAINS INFORMATION THAT IS PROPRIETARY TO MOLEX INCORPORATED AND SHOULD NOT BE USED WITHOUT WRITTEN PERMISSION																			

	13	12	11	10	9	8	7	6	5	4	3	2	1		
	NO. OF CKTS.		TIN PLATING			15 GOLD PLATING			30 GOLD PLATING						
J	PER ROW	TOTAL	E.D.P. NO.	ENG. NO.	TAPE AND REEL PACKAGING	E.D.P. NO.	ENG. NO.	TAPE AND REEL PACKAGING	E.D.P. NO.	ENG. NO.	TAPE AND REEL PACKAGING	DIM. "A"		DIM. "B"	
												INCH	MM	INCH	MM
	7	14	NA	NA	NA	NA	NA	NA	71395-5114	A-71395-5114	PK-71395-001	.600	15.24	.699	17.75
	8	16	NA	NA	NA	71395-5016	A-71395-5016	PK-71395-001	NA	NA	NA	.700	17.78	.799	20.29
			NA	NA	NA	NA	NA	NA	NA	NA	NA				
	10	20	NA	NA	NA	71395-5020	A-71395-5020	PK-71395-001	71395-5120	A-71395-5120	PK-71395-001	.900	22.86	.999	25.37
I	20	40	NA	NA	NA	71395-5040	A-71395-5040	PK-71395-001	NA	NA	NA	1.900	48.26	1.999	50.77
			NA	NA	NA	NA	NA	NA	NA	NA	NA				



A	PLATING:		ADD 71395-5040 EC NO: UCP2010-1001 DRWN:SI BARRA 2009/10/14 CHKD:DMORGAN 2009/12/01 APPR:SMILLER 2009/12/01	QUALITY SYMBOLS ▽=0 ▽=0 ▽=0	GENERAL TOLERANCES (UNLESS SPECIFIED)		DIMENSION STYLE MM/IN		SCALE 1:1	DESIGN UNITS METRIC	THIRD ANGLE PROJECTION	
	TIN (3.75 MICROMETER)/150 MICROINCH MINIMUM TIN OVER (1.25 MICROMETER)/50 MICROINCH MINIMUM NICKEL OVERALL.				15 GOLD (0.37 MICROMETER)/15 MICROINCH MINIMUM SELECTIVE GOLD IN THE CONTACT AREA; (1.88 MICROMETER)/75 MICROINCH MINIMUM SELECTIVE TIN IN THE PC TAIL AREA OVER (1.25 MICROMETER)/50 MICROINCH MINIMUM NICKEL OVERALL.		30 GOLD (0.75 MICROMETER)/30 MICROINCH MINIMUM SELECTIVE GOLD IN THE CONTACT AREA; (1.88 MICROMETER)/75 MICROINCH MINIMUM SELECTIVE TIN IN THE PC TAIL AREA OVER (1.25 MICROMETER)/50 MICROINCH MINIMUM NICKEL OVERALL.		DRAWN BY DATE CHECKED BY DATE RB 1985/12/03 APPROVED BY DATE		TITLE CONNECTOR DUAL ROW VERTICAL SURFACE MOUNT TOP ENTRY ON .100 GRID	
					DRAFT WHERE APPLICABLE MUST REMAIN WITHIN DIMENSIONS		MATERIAL NO. SEE CHART		DOCUMENT NO. SDA-71395-1***		SHEET NO. 3 OF 3	
					ANGULAR ±1/2°		THIS DRAWING CONTAINS INFORMATION THAT IS PROPRIETARY TO MOLEX INCORPORATED AND SHOULD NOT BE USED WITHOUT WRITTEN PERMISSION					

