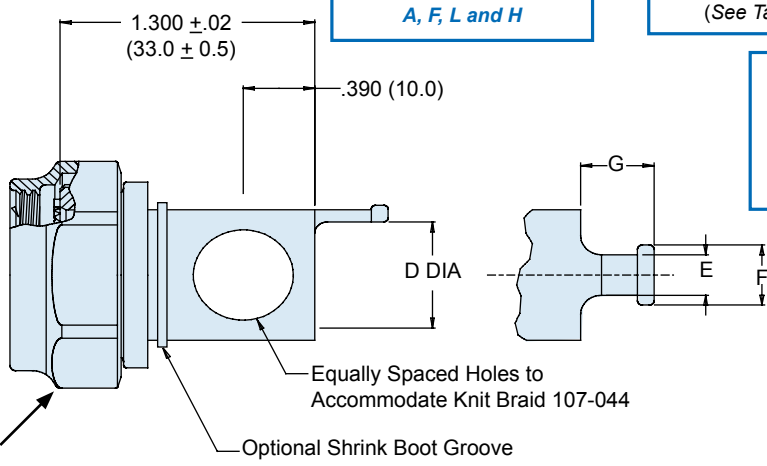
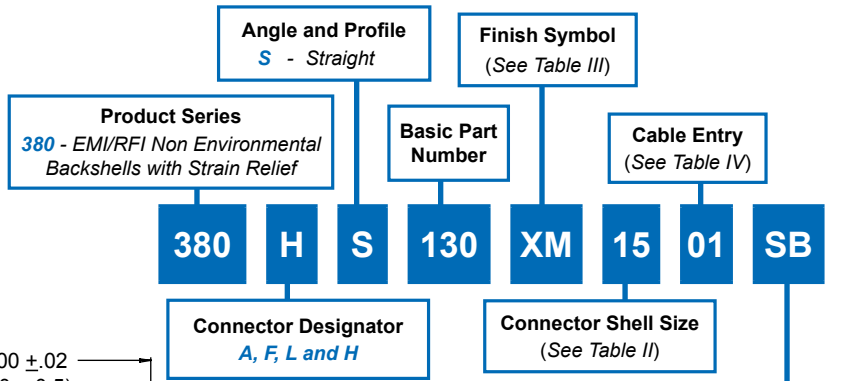




380-130 Composite Knit-Braid Style EMI/RFI Shield Termination Backshell with Qwik-Ty® and Rotatable Coupling

A

CONNECTOR DESIGNATOR:	
A	MIL-DTL-5015, -26482 Series II, and -83723 Series I and III
F	MIL-DTL-38999 Series I, II
L	MIL-DTL-38999 Series 1.5 (JN1003)
H	MIL-DTL-38999 Series III and IV
ROTATABLE COUPLING	



Self-Locking Rotatable Coupling (See Note 4)

Shell Size	Max Entry Code**	Shell Size			
		F/L	H	Code**	Max Entry
08	00	08	09	01	
10	01	10	11	02	
12	02	12	13	03	
14	03	14	15	04	
16	04	16	17	05	
18	05	18	19	06	
20	06	20	21	07	
22	07	22	23	08	
24	08	24	25	09	

Entry Code**	D ±.010 (0.25)	E ±.020 (0.50)	F ±.020 (0.50)	G ±.020 (0.50)	Number of Holes
00	.268 (6.8)	.187 (4.8)	.312 (7.9)	.512 (13.0)	2*
01	.354 (9.0)	.187 (4.8)	.312 (7.9)	.512 (13.0)	2**
02	.472 (12.0)	.187 (4.8)	.312 (7.9)	.512 (13.0)	2**
03	.591 (15.0)	.187 (4.8)	.312 (7.9)	.630 (16.0)	2*
04	.709 (18.0)	.219 (5.6)	.369 (9.4)	.630 (16.0)	2*
05	.837 (21.3)	.219 (5.6)	.369 (9.4)	.630 (16.0)	2*
06	.945 (24.0)	.219 (5.6)	.369 (9.4)	.630 (16.0)	2*
07	1.063 (27.0)	.250 (6.4)	.437 (11.1)	.630 (16.0)	4*
08	1.191 (30.3)	.250 (6.4)	.437 (11.1)	.630 (16.0)	4*
09	1.319 (33.5)	.250 (6.4)	.437 (11.1)	.630 (16.0)	4*

*Oval Holes, .256 (6.5) x .512 (13.0) **Oval Holes, .315 (8.0) x .512 (13.0) *Circular Holes, .512 (13.0) Diameter.

Symbol	Finish Description
XM	2000 Hour Corrosion Resistant Electroless Nickel
XMT	2000 Hour Corrosion Resistant Ni-PTFE, Nickel-Fluorocarbon Polymer. 1000 Hour Grey™
XW	2000 Hour Corrosion Resistant Cadmium/Olive Drab over Electroless Nickel

- | | |
|----|--|
| 1. | For effective grounding, connector with conductive finish should be used. |
| 2. | Coupling nut supplied unplated. |
| 3. | Metric dimensions (mm) are in parentheses and are for reference only. |
| 4. | Connector Code H supplied with black coupling nut. |
| 5. | Consult factory for additional entry sizes available. |
| 6. | For angled part requirements, use in conjunction with Glenair 327-060 Extenders. |
| 7. | See Table I in Intro for additional connector front-end dimensional details. |