

PLEASE CHECK WWW.MOLEX.COM FOR LATEST PART INFORMATION

Part Number: **0780362005**
Status: **Active**
Overview: projector lamp connector
Description: Projector Lamp Receptacle Terminal, 0.90µm (35.4µ") Tin (Sn) Plated, Straight Wing Type, Lead free

Documents:

[Drawing \(PDF\)](#) [RoHS Certificate of Compliance \(PDF\)](#)

General

Product Family	Crimp Terminals
Series	78036
Comments	Without Insulation Crimp
Crimp Quality Equipment	Yes
Overview	projector lamp connector
Product Name	DLP*

Physical

Durability (mating cycles max)	250
Gender	Female
Material - Metal	Copper Alloy
Material - Plating Mating	Tin
Material - Plating Termination	Nickel
Packaging Type	Reel
Plating min: Mating (µin)	36
Plating min: Mating (µm)	0.90
Plating min: Termination (µin)	20
Plating min: Termination (µm)	0.50
Termination Interface: Style	Crimp or Compression
Wire Insulation Diameter	2.06-3.85mm (.081-.152")
Wire Size AWG	18, 20, 22
Wire Size mm²	N/A

Electrical

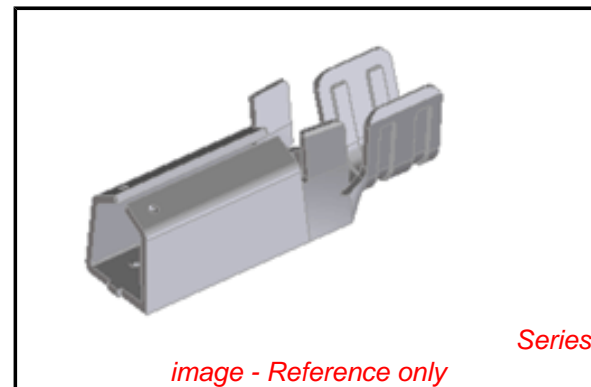
Current - Maximum per Contact	10A
Voltage - Maximum	250V AC (RMS)

Material Info

Reference - Drawing Numbers

Sales Drawing	SD-78036-003
---------------	--------------

* DLP is a registered trademark of Texas Instruments Incorporated



EU RoHS

**ELV and RoHS
Compliant**
**REACH SVHC
Contains SVHC: No**
**Halogen-Free
Status**

China RoHS



**Need more information on product
environmental compliance?**

Email productcompliance@molex.com
 For a multiple part number RoHS Certificate of Compliance, [click here](#)

Please visit the [Contact Us](#) section for any non-product compliance questions.

Search Parts in this Series

[78036Series](#)

Mates With

[78037-2005](#) Straight Wing Plug Terminal

Use With

[781651001](#) Crimp Housing

Application Tooling | FAQ

Tooling specifications and manuals are found by selecting the products below. Crimp Height Specifications are then contained in the Application Tooling Specification document.

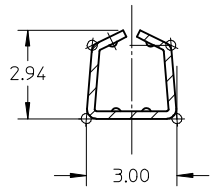
Global

Description	Product #
FineAdjust™ Applicator for Sabre™ Flat Blade Crimp Terminal, 18-22 AWG	0639014100
T2 Terminator for Projector Lamp Plug	0639114100

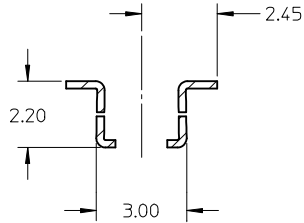
and Receptacle
Terminal, 18-20
AWG
Hand Crimp Tool 0638199600
For Projector Lamp
Plug and Receptacle
Terminal

This document was generated on 05/20/2010

PLEASE CHECK WWW.MOLEX.COM FOR LATEST PART INFORMATION

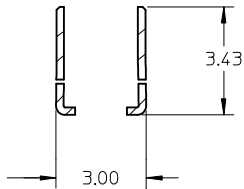


SECTION Z-Z



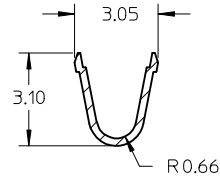
SECTION Y-Y

△ BEND WING TYPE

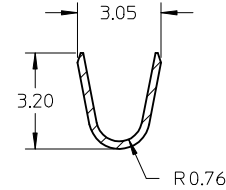


SECTION Y-Y

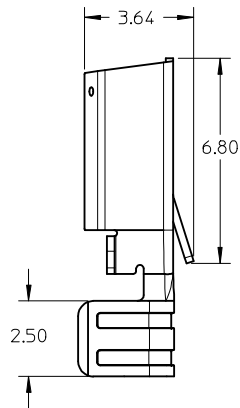
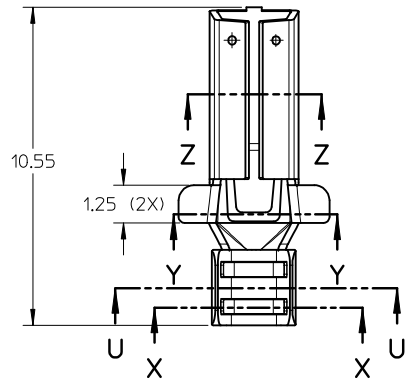
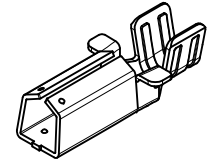
STRAIGHT WING TYPE △



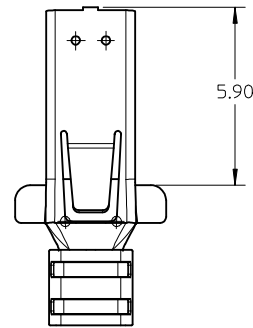
SECTION X-X



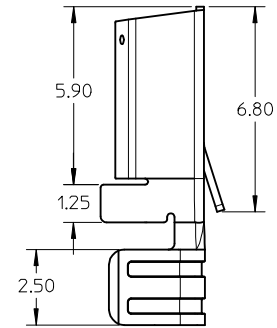
SECTION U-U



BEND WING TYPE △



STRAIGHT WING TYPE △



NOTES:

- MATERIAL : COPPER ALLOY
PLATING SPEC.: 0.94μm MIN. TIN OVER 0.54μm MIN. NICKEL UNDERPLATE.
- HOUSING TO BE USED WITH : SEE TABLE.
- CRIMP SPECIFICATION : CS-78036-001
- PRODUCT SPECIFICATION : SEE TABLE
- PACKAGING INFORMATION : PAPER REEL
- △ THE FIGURE SHOWN IS FOR ILLUSTRATION PURPOSE.
IT IS APPLIED TO BOTH STRAIGHT AND BEND WING TYPE.
- △ REFER TO TABLE FOR PART NUMBER.

ADD DIM 3.64	EC NO: S2009-0512	2009/02/06
DRWN:GEMEARLY	2009/02/06	
CHKD:CGOH	2009/02/06	
APPR:BOKOK	2009/02/06	
REV	DESCRIPTION	
A2		

QUALITY SYMBOLS
▽=0
∇=0

GENERAL TOLERANCES (UNLESS SPECIFIED)	mm	INCH
	4 PLACES ± ---	± ---
DRAFT WHERE APPLICABLE MUST REMAIN WITHIN DIMENSIONS	3 PLACES ± ---	± ---
	2 PLACES ± 0.30	± ---
	1 PLACE ± ---	± ---
	ANGULAR ± 3 °	

DIMENSION STYLE		SCALE	DESIGN UNITS	THIRD ANGLE PROJECTION
MM ONLY		NTS	METRIC	△
DRAWN BY	DATE	TITLE		
BOKOK	2007/02/26	PROJECTOR LAMP CONNECTOR		
CHECKED BY	DATE	13MM PITCH, RECEPTACLE		
CGOH	2007/03/01	TERMINAL		
APPROVED BY	DATE	MOLEX INCORPORATED		
KCLING	2007/03/01	SD-78036-003		
MATERIAL NO.	DOCUMENT NO.	SHEET NO.		
SEE TABLE		1 OF 3		
SIZE	THIS DRAWING CONTAINS INFORMATION THAT IS PROPRIETARY TO MOLEX INCORPORATED AND SHOULD NOT BE USED WITHOUT WRITTEN PERMISSION			
A3				

10 9 8 7 6 5 4 3 2 1

F

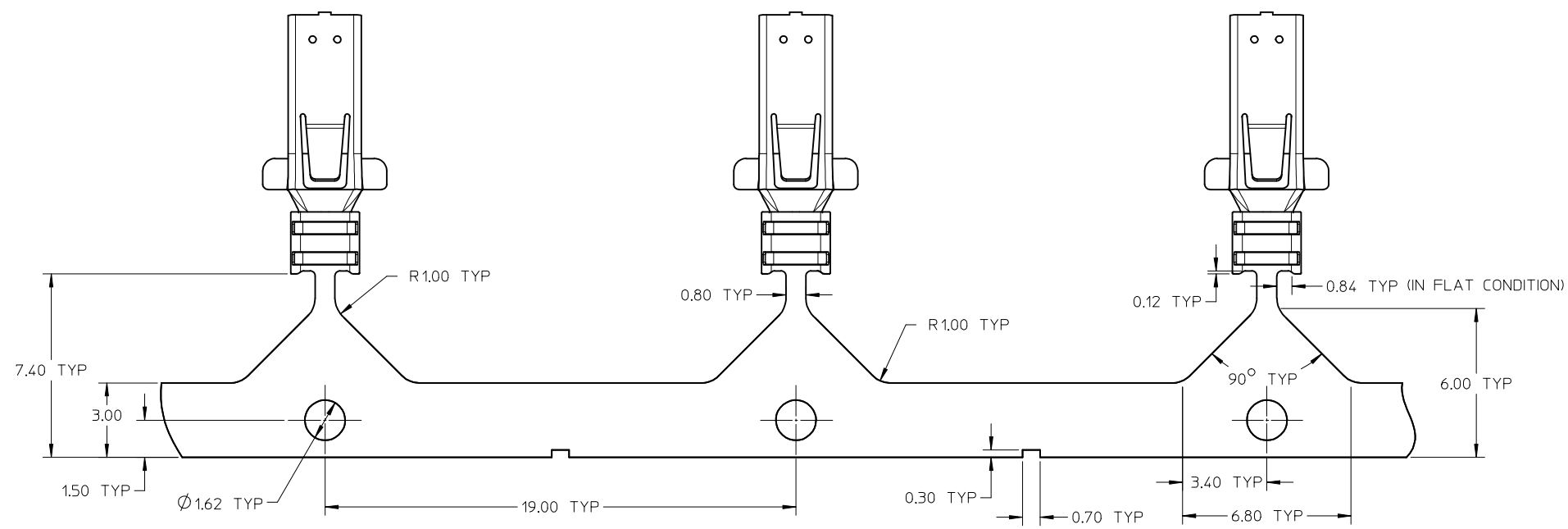
E

D

C

B

A



TERMINAL LAYOUT $\triangle 6$

ADD DIM 3.64 EC NO: S2009-0512 DRWN:EMENARLY 2009/02/06 CHKD:CGOH 2009/02/06 APPR:BOKOK 2009/02/06	QUALITY SYMBOLS	GENERAL TOLERANCES (UNLESS SPECIFIED)		DIMENSION STYLE	SCALE	DESIGN UNITS	THIRD ANGLE PROJECTION		
	$\nabla=0$	mm	INCH	MM ONLY	NTS	METRIC			
	$\triangle 6=0$	4 PLACES	± ---	± ---	DRAWN BY	DATE	TITLE		
		3 PLACES	± ---	± ---	BOKOK	2007/02/26	PROJECTOR LAMP CONNECTOR 13MM PITCH, RECEPTACLE TERMINAL		
	2 PLACES	± 0.30	± ---	CHECKED BY	DATE	MOLEX INCORPORATED DOCUMENT NO. SD-78036-003 SHEET NO. 2 OF 3			
	1 PLACE	± ---	± ---	CGOH	2007/03/01				
		ANGULAR ± 3 °		APPROVED BY	DATE				
		DRAFT WHERE APPLICABLE MUST REMAIN WITHIN DIMENSIONS		KCLING	2007/03/01				
				MATERIAL NO.	SEE TABLE				
				SIZE	THIS DRAWING CONTAINS INFORMATION THAT IS PROPRIETARY TO MOLEX INCORPORATED AND SHOULD NOT BE USED WITHOUT WRITTEN PERMISSION				

9 8 7 6 5 4 3 2 1

10 9 8 7 6 5 4 3 2 1

F

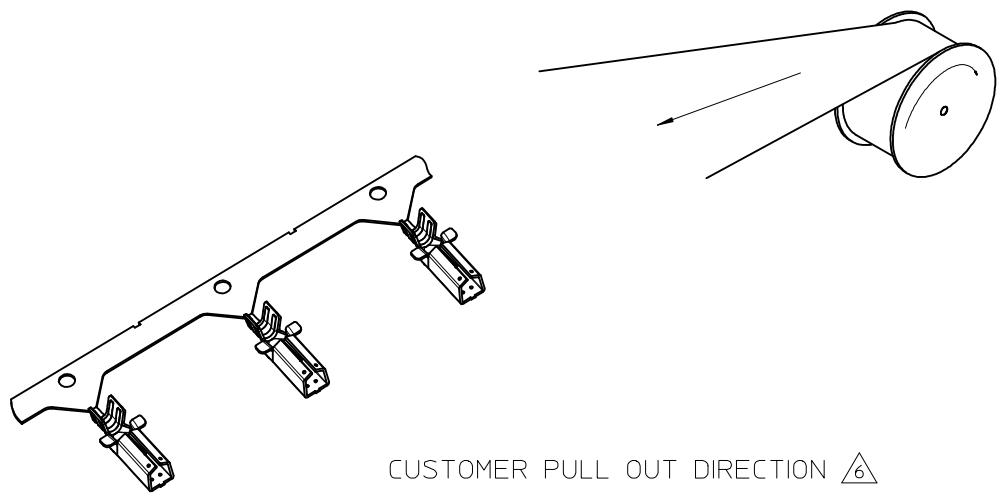
E

D

C

B

A



CUSTOMER PULL OUT DIRECTION $\triangle 6$

ADD DIM 3.64 EC NO: S2009-0512 DRW: NIGMENARLY 2009/02/06 CHK: D:CGOH APPR: BOKOK 2009/02/06	QUALITY SYMBOLS $\blacktriangledown = 0$ $\triangle = 0$	GENERAL TOLERANCES (UNLESS SPECIFIED)		DIMENSION STYLE MM ONLY		SCALE NTS	DESIGN UNITS METRIC	\odot \square THIRD ANGLE PROJECTION		
			mm	INCH	DRAWN BY BOKOK	DATE 2007/02/26	TITLE PROJECTOR LAMP CONNECTOR 13MM PITCH, RECEPTACLE TERMINAL			
		4 PLACES	\pm ---	\pm ---	CHECKED BY CGOH	DATE 2007/03/01	MOLEX INCORPORATED			
		3 PLACES	\pm ---	\pm ---	APPROVED BY KCLING	DATE 2007/03/01	MATERIAL NO. SEE TABLE	DOCUMENT NO. SD-78036-003	SHEET NO. 3 OF 3	
2 PLACES	\pm 0.30	\pm ---	ANGULAR $\pm 3^\circ$		THIS DRAWING CONTAINS INFORMATION THAT IS PROPRIETARY TO MOLEX INCORPORATED AND SHOULD NOT BE USED WITHOUT WRITTEN PERMISSION					
1 PLACE	\pm ---	\pm ---	DRAFT WHERE APPLICABLE MUST REMAIN WITHIN DIMENSIONS							

9 8 7 6 5 4 3 2 1