

**PLEASE CHECK WWW.MOLEX.COM FOR LATEST PART INFORMATION**

**Part Number:** [0876951001](#)  
**Status:** **Active**  
**Overview:** [extreme\\_powerplus\\_ssi](#)  
**Description:** 6.35mm (.250") Pitch, Power, 2.54mm (.100") Pitch, Signal, EXTreme PowerPlus™ (SSI) DPS Receptacle, Press-fit, Vertical, No Recessed Pins, 0.76µm (30µ") Gold (Au) Plating, 26 Circuits, Leadfree

**Documents:**

[3D Model](#) [Product Specification PS-87695-006 \(PDF\)](#)  
[Drawing \(PDF\)](#) [RoHS Certificate of Compliance \(PDF\)](#)

**General**

Product Family	PCB Receptacles
Series	<a href="#">87695</a>
Application	Board-to-Board
Overview	<a href="#">extreme_powerplus_ssi</a>
Product Literature Order No	987650-3002
Product Name	EXTreme PowerPlus™

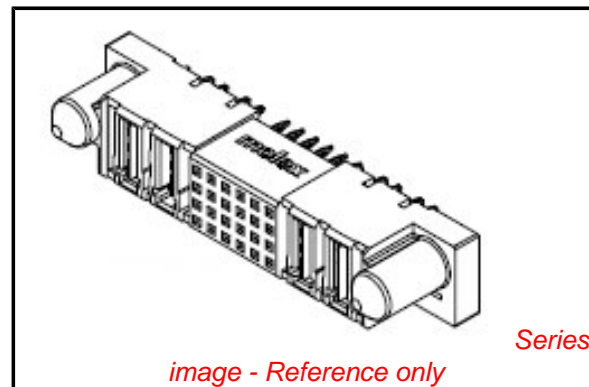
**Physical**

Circuits (Loaded)	26
Circuits Detail	Power Beta 1, Signal 24, Power Alpha 1
Color - Resin	Black
Durability (mating cycles max)	100
Glow-Wire Compliant	No
Guide to Mating Part	Yes
Lock to Mating Part	None
Material - Plating Mating	Gold
Material - Plating Termination	Tin
Material - Resin	High Temperature Thermoplastic
Number of Rows	4
Orientation	Vertical
PC Tail Length (in)	0.135 In
PC Tail Length (mm)	3.43 mm
PCB Locator	No
PCB Retention	Yes
PCB Thickness Recommended (in)	0.093 In
PCB Thickness Recommended (mm)	2.40 mm
Packaging Type	Tray
Pitch - Mating Interface (in)	0.100 In, 0.250 In
Pitch - Mating Interface (mm)	2.54 mm, 6.35 mm
Plating min: Mating (µin)	30.4
Plating min: Mating (µm)	0.76
Plating min: Termination (µin)	101.6
Plating min: Termination (µm)	2.54
Polarized to Mating Part	Yes
Polarized to PCB	Yes
Surface Mount Compatible (SMC)	No
Temperature Range - Operating	-20°C to +70°C
Termination Interface: Style	Through Hole - Compliant Pin

**Electrical**

Current - Maximum per Contact	2.5A, 30A
Voltage - Maximum	48V

**Material Info**



**EU RoHS**

**ELV and RoHS Compliant**  
**REACH SVHC**  
 Not Reviewed  
**Halogen-Free Status**

**China RoHS**



**Need more information on product environmental compliance?**

Email [productcompliance@molex.com](mailto:productcompliance@molex.com)  
 For a multiple part number RoHS Certificate of Compliance, [click here](#)

Please visit the [Contact Us](#) section for any non-product compliance questions.

**Search Parts in this Series**

[87695Series](#)

**Mates With**

[87606](#) EXTreme PowerPlus™ (SSI) DPS Header

**Reference - Drawing Numbers**

Application Specification

Product Specification

Sales Drawing

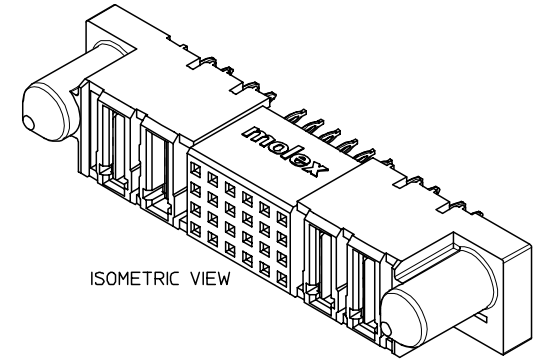
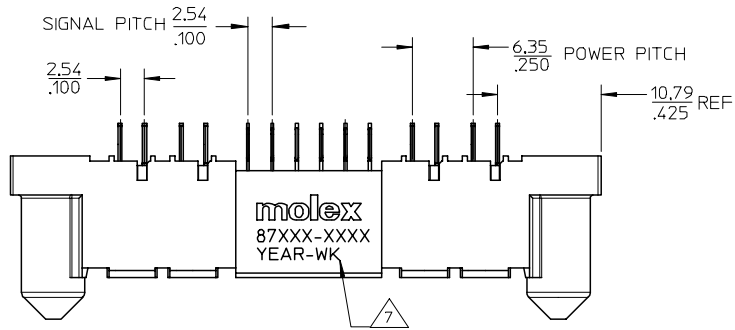
AS-87631-018, AS-87633-007

PS-87695-006

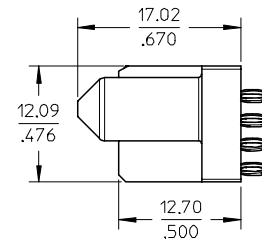
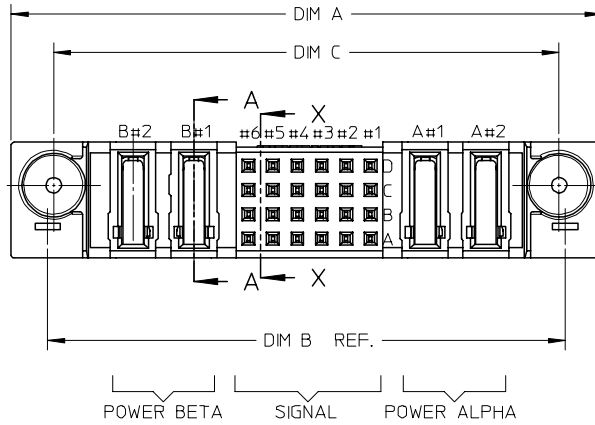
SD-87695-011

This document was generated on 05/21/2010

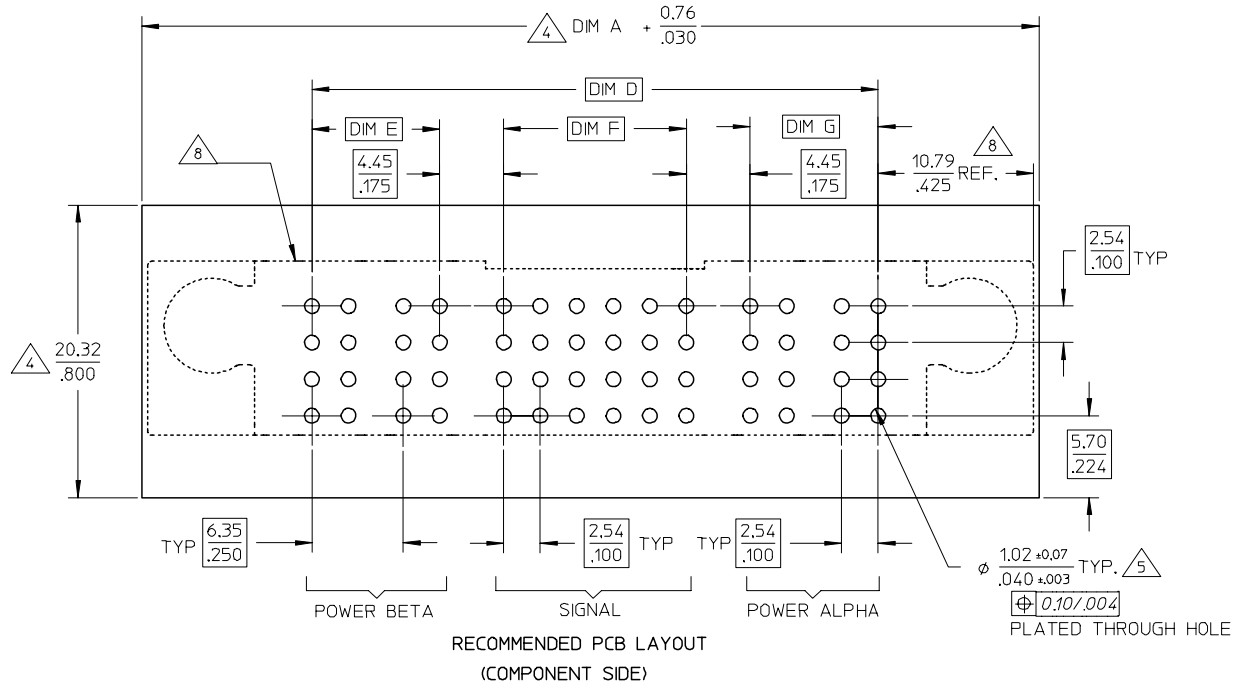
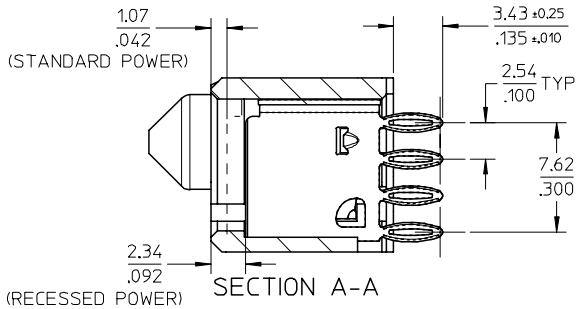
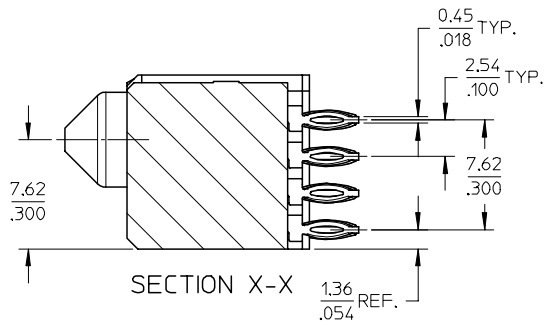
**PLEASE CHECK [WWW.MOLEX.COM](http://WWW.MOLEX.COM) FOR LATEST PART INFORMATION**



ISOMETRIC VIEW



ADD ASSY P/N FOR LF EC NO: S2005-0101 DRWN:NRVITAP 2004/09/08 CHKD:PTLIM 2004/09/09 APPR:SCLOW 2004/09/09	QUALITY SYMBOLS ▽ = 0 ▽ = 0	GENERAL TOLERANCES (UNLESS SPECIFIED)		SCALE NTS	DESIGN UNITS METRIC	THIRD ANGLE PROJECTION	REVISE ON CAD ONLY		
			mm	INCH	DIMENSION STYLE MM/IN		TITLE DPS CONNECTOR RECEPTACLE P(B)-S-P(A) CONFIG. VERTICAL PRESS-FIT		
		4 PLACES	± ---	± ---	DRAWN BY KMG0H	DATE 2002/09/12	MOLEX INCORPORATED MATERIAL NO. SEE TABLE DOCUMENT NO. SD-87695-011 SHEET NO. 1 OF 3		
		3 PLACES	± ---	± ---	CHECKED BY PTLIM	DATE 2002/11/21			
2 PLACES	± 0.13	± ---	APPROVED BY SKTOH		DATE 2002/11/21	THIS DRAWING CONTAINS INFORMATION THAT IS PROPRIETARY TO MOLEX INCORPORATED AND SHOULD NOT BE USED WITHOUT WRITTEN PERMISSION			
1 PLACE	± 0.25	± ---	DRAFT WHERE APPLICABLE		MUST REMAIN WITHIN DIMENSIONS				



ADD ASSY P/N FOR LF EC NO: S2005-0101 DRWN:NRVITAP2004/09/08 CHKD:PTLIM 2004/09/09 APPR:SCLOW 2004/09/09	QUALITY SYMBOLS ▼ = 0 ▽ = 0	GENERAL TOLERANCES (UNLESS SPECIFIED)		SCALE NTS	DESIGN UNITS METRIC	THIRD ANGLE PROJECTION	REVISE ON CAD ONLY	
			mm	INCH	DIMENSION STYLE MM/IN		TITLE DPS CONNECTOR RECEPTACLE P(B)-S-P(A) CONFIG. VERTICAL PRESS-FIT	
		4 PLACES	± ---	± ---	DRAWN BY KMG0H	DATE 2002/09/12	MOLEX INCORPORATED	
		3 PLACES	± ---	± ---	CHECKED BY PTLIM	DATE 2002/11/21		
2 PLACES	± 0.13	± ---	APPROVED BY SKTOH		DATE 2002/11/21	MATERIAL NO. SEE TABLE	DOCUMENT NO. SD-87695-011	
1 PLACE	± 0.25	± ---	DRAFT WHERE APPLICABLE		SHEET NO. 2 OF 3			
		ANGULAR ± 3 °		THIS DRAWING CONTAINS INFORMATION THAT IS PROPRIETARY TO MOLEX INCORPORATED AND SHOULD NOT BE USED WITHOUT WRITTEN PERMISSION				
		MUST REMAIN WITHIN DIMENSIONS						

PART NUMBER	P-S-P CONFIGURATION			RECESSED POWER CIRCUIT	DIM A	DIM B	DIM C	DIM D	DIM E	DIM F	DIM G	PACKAGING	PLATING OPTION
	POWER BETA	SIGNAL	POWER ALPHA										
87695-0001	1	24	1	NIL	48.90 1.925	41.28 1.625	40.01 1.575	26.67 1.050	2.54 .100	12.70 .500	2.54 .100	TRAY	TIN/LEAD
87695-0007	1	24	1	B#1	48.90 1.925	41.28 1.625	40.01 1.575	26.67 1.050	2.54 .100	12.70 .500	2.54 .100	TRAY	
87695-0008	1	24	1	A#1	48.90 1.925	41.28 1.625	40.01 1.575	26.67 1.050	2.54 .100	12.70 .500	2.54 .100	TRAY	
87695-1001	1	24	1	NIL	48.90 1.925	41.28 1.625	40.01 1.575	26.67 1.050	2.54 .100	12.70 .500	2.54 .100	TRAY	TIN
87695-1007	1	24	1	B#1	48.90 1.925	41.28 1.625	40.01 1.575	26.67 1.050	2.54 .100	12.70 .500	2.54 .100	TRAY	
87695-1008	1	24	1	A#1	48.90 1.925	41.28 1.625	40.01 1.575	26.67 1.050	2.54 .100	12.70 .500	2.54 .100	TRAY	

CONNECTOR - NOTES

1. MATERIALS :

- HOUSING - HIGH TEMPERATURE THERMO-PLASTIC,  
GLASS FILLED, UL94-0,COLOR:BLACK.
- POWER PIN - COPPER ALLOY

2. PLATING :

- POWER CONTACTS  
0.76 MICROMETER MINIMUM GOLD (Au) AT CONTACT AREA AND  
2.54 MICROMETER MINIMUM TIN/LEAD OR TIN AT SOLDER TAIL AREA  
OVER 1.27um MIN. NICKEL (Ni) UNDERPLATE.

3. PRODUCT SPECIFICATION: PS-87695-006.

4. COMPONENT STAY AWAY ZONE FROM CONNECTOR.

5. PCB NOTE FOR DIAMETER 1.02/.040 PLATED HOLE.

- DRILLED HOLE SIZE IS 1.151/.0453
- PLATE WITH 0.007/.0003 MINIMUM TIN/LEAD OR TIN OVER 0.03/.001  
TO 0.08/.003 COPPER PLATING TO ACHIEVE 1.02±0.08/.040±.003 HOLE.  
SEE SHEET 2 FOR RECOMMENDED PCB LAYOUT.

6. 2P(B)-24S-2P(A) CONFIGURATION IS SHOWN FOR ILLUSTRATION ONLY.

7. MANUFACTURER LOGO,PART NUMBER AND YEAR-WEEK CODE.

8. IMAGINARY LINE & DIMENSION TO POSITION AND PROVIDE  
CONNECTOR ORIENTATION W.R.T. TO PCB LAYOUT.

ADD ASSY PIN FOR LF EC NO: S2005-0101 DRWN:NRVITAP2004/09/08 CHKD:PTLIM 2004/09/09 APPR:SCLOW 2004/09/09	QUALITY SYMBOLS ▽ = 0 ▽ = 0	GENERAL TOLERANCES (UNLESS SPECIFIED)		SCALE NTS	DESIGN UNITS METRIC	THIRD ANGLE PROJECTION	REVISE ON CAD ONLY		
			mm	INCH	DIMENSION STYLE MM/IN		TITLE DPS CONNECTOR RECEPTACLE P(B)-S-P(A) CONFIG. VERTICAL PRESS-FIT		
		4 PLACES	± ---	± ---	DRAWN BY KMG0H	DATE 2002/09/12	MOLEX INCORPORATED		
		3 PLACES	± ---	± ---	CHECKED BY PTLIM	DATE 2002/11/21	MATERIAL NO. SEE TABLE DOCUMENT NO. SD-87695-011 SHEET NO. 3 OF 3		
2 PLACES	± 0.13	± ---	APPROVED BY SKTOH		DATE 2002/11/21	THIS DRAWING CONTAINS INFORMATION THAT IS PROPRIETARY TO MOLEX INCORPORATED AND SHOULD NOT BE USED WITHOUT WRITTEN PERMISSION			
1 PLACE	± 0.25	± ---	DRAFT WHERE APPLICABLE		MUST REMAIN WITHIN DIMENSIONS				