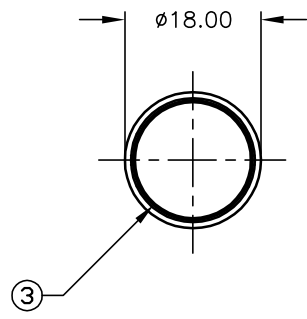


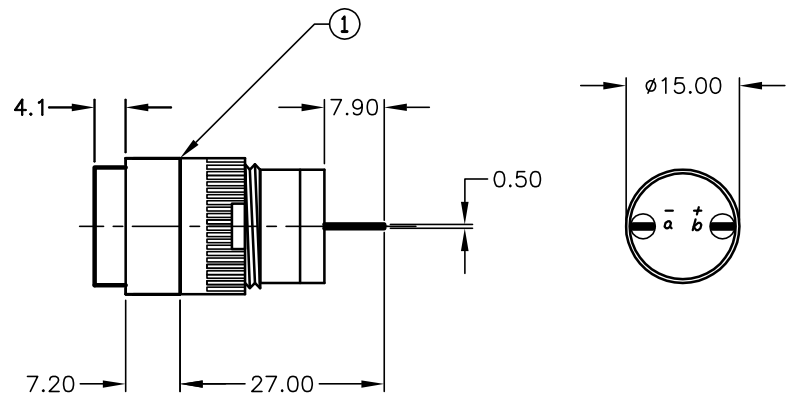
RECOMMENDED PANEL MOUNTING



a-(L)-b (+)

CIRCUIT: PILOT INDICATOR

PARTS LIST			
ITEM	QTY.	PART NO.	PART DESCRIPTION
1	1	F040003	L16 PL R1 00
2	1	F050422	50-004-22 (GRN LED)
3	1	F050112	50-001-12 (GRN LENS)



NOTES:

1. ALL DIMENSIONS IN MM
2. GENERAL TOLERANCE: X.X=±0.4
X.XX=±0.25
3. RATINGS: 1A, 2A, 4A, 5A @250V AC
4. CONTACT MATERIAL: COPPER ALLOY W/Silver Plating

E-SWITCH®

A	13689	RELEASE FOR PRODUCTION	1/9/04	AR
REV.	ECN No.	DESCRIPTION	DATE	CHKD

TITLE L16 PL R10 K GRN GRN

SCALE	DATE	DR	DWG	REV
1:1	1/9/04	AR	XF0270P	A

THE INFORMATION CONTAINED IN THIS DOCUMENT IS PROPRIETARY TO E-SWITCH AND IS NOT TO BE COPIED OR TRANSFERRED