

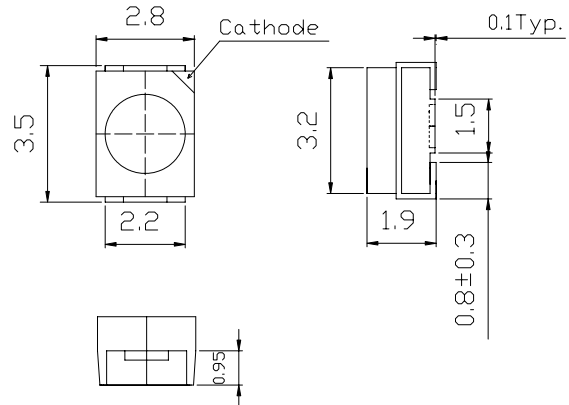
■Features

- High Luminous PLCC2 Top SMD LEDs
- 3.5x2.8x1.9mm Standard Directivity
- Superior Weather-resistance
- UV Resistant Epoxy
- Water Clear Type

■Applications

- Automotive Dashboard Lighting
- Traffic Signal Lamp
- Back Lighting
- Other Lighting

■Outline Dimension



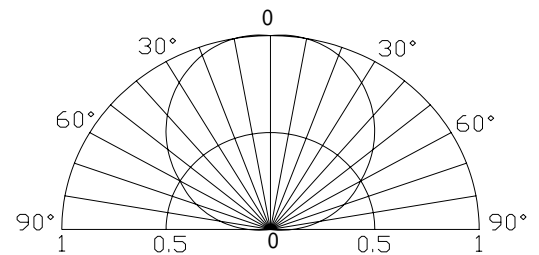
■Absolute Maximum Rating

($T_a=25^\circ\text{C}$)

Item	Symbol	Value	Unit
DC Forward Current	I_F	30	mA
Pulse Forward Current*	I_{FP}	100	mA
Reverse Voltage	V_R	5	V
Power Dissipation	P_D	108	mW
Operating Temperature	T_{opr}	-30 ~ +85	
Storage Temperature	T_{stg}	-40 ~ +100	
Lead Soldering Temperature	T_{sol}	260 /5sec	-

*Pulse width Max.10ms , Duty ratio max 1/10

■Directivity



Electrical -Optical Characteristics

($T_a=25^\circ\text{C}$)

Item	Symbol	Condition	Min.	Typ.	Max.	Unit
DC Forward Voltage	V_F	$I_F=20\text{mA}$	2.9	3.1	3.6	V
DC Reverse Current	I_R	$V_R=5\text{V}$	-	-	10	μA
Luminous Intensity*	I_v	$I_F=20\text{mA}$	-	1250	-	mcad
Chromaticity Coordinate*	x	$I_F=20\text{mA}$	-	0.45	-	
	y	$I_F=20\text{mA}$	-	0.41	-	
50% Power Angle	$2\theta_{1/2}$	$I_F=20\text{mA}$	-	120	-	deg

*1 Tolerance of chromaticity coordinate is $\pm 10\%$

*2 Tolerance of luminous intensity is $\pm 15\%$