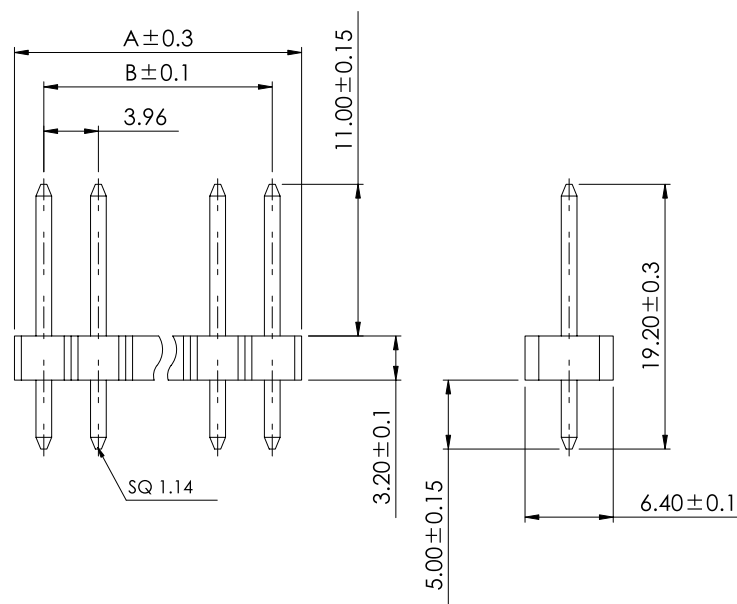




080501MS Series

Specifications:

- **Insulator Material** : White High Temp. Plastic
- **Operating Type Range** : -40°C To +105°C
- **Terminal Material** : Brass 65/35
- **Platings** : Tin Plated
- **Max. Current Rating** : 1.5A
- **Max. Voltage Rating** : 250V AC
- **Dielectric Strength** : 500V AC For 60 Seconds



2.54
mm

Order Information

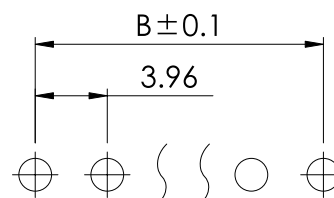
080501MS□□□□00NO
1 2 3 4 5

1. 'S': Straight DIP Type
2. No. of Pins
3. Plating
4. Color 'N': White
5. Package

'U': Slim Box Without CAP

Reference Page 11

Recommended P.C.B. Layout



Dimension Information

SUYIN P/NO.	DIM.A	DIM.B
080501MS003□□00NO	12.18	7.92
080501MS006□□00NO	24.06	19.80