

PLEASE CHECK WWW.MOLEX.COM FOR LATEST PART INFORMATION

Part Number: [1300061309](#)
Status: **Active**
Overview: [minichange_products](#)
Description: Mini-Change® A-Size Single-Ended Cordset, Straight Female to Pigtail, 5 Poles, Length, 3.0m (9.84')

Documents:

[Drawing \(PDF\)](#) [RoHS Certificate of Compliance \(PDF\)](#)

Agency Certification

CSA LR6837

General

Product Family Industrial Cordsets
 Series [130006](#)
 Comments A-Size (7/8" - 16 UN-2B)
 Connector End A Mini-Change®
 Connector End B Pigtail
 IP Rating IP67
 NEMA Rating NEMA 6
 Overview [minichange_products](#)
 Product Name Mini-Change®
 Type Single Ended

Physical

Cable Diameter 13.20mm (.520")
 Cable Length 3.0m (9.84')
 Color - Cable Jacket Yellow
 Coupling Style Threaded
 Gender Female-Pigtail
 Keyway Single
 LED Indicator No
 Material - Cable Jacket Rubber
 Material - Connector Body PVC
 Material - Contact Copper
 Material - Coupling Nut Black Epoxy Coated Zinc
 Material - Plating Mating Gold over Nickel
 Orientation Straight
 Poles 5
 Temperature Range - Operating -20°C to +90°C
 Wire Size AWG 16
 Wire/Cable Type UL 2661

Electrical

Current - Maximum per Contact 8A
 Voltage - Maximum 600V

Material Info

Old Part Number 105000C01F030

Reference - Drawing Numbers

Sales Drawing SD-130006-022

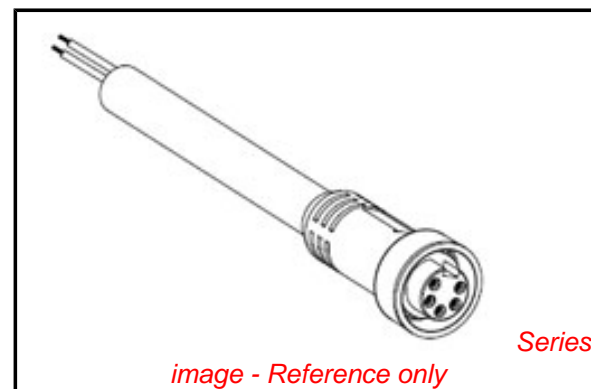


image - Reference only

EU RoHS

RoHS Compliant by Exemption
REACH SVHC Not Reviewed
Halogen-Free Status Not Reviewed

China RoHS



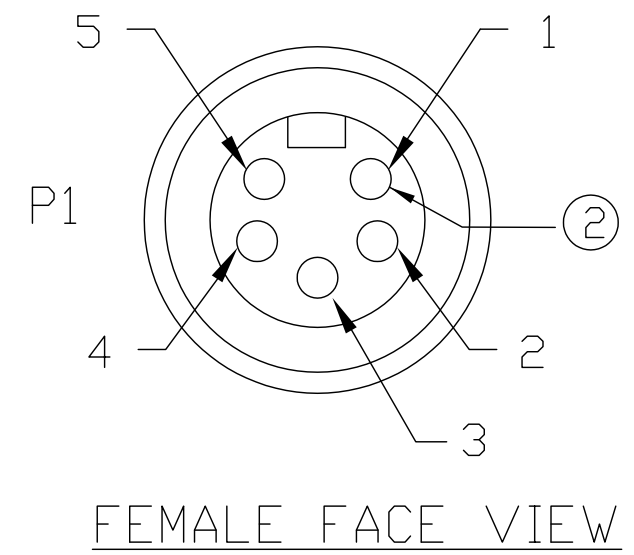
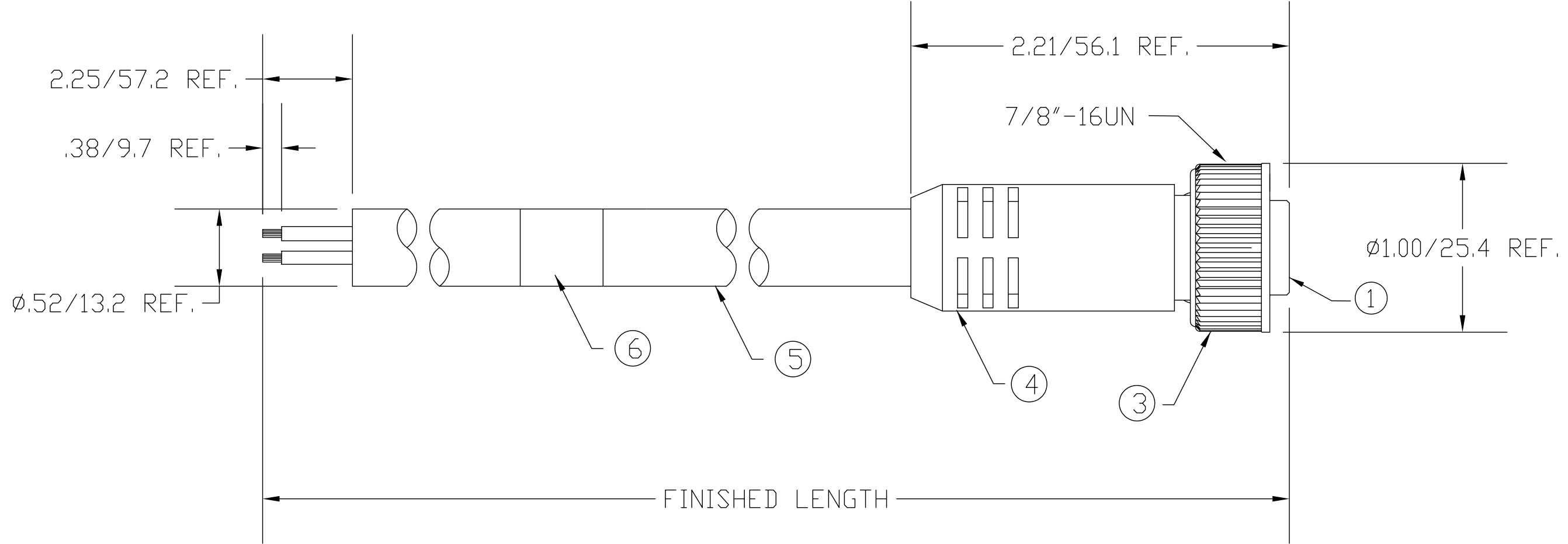
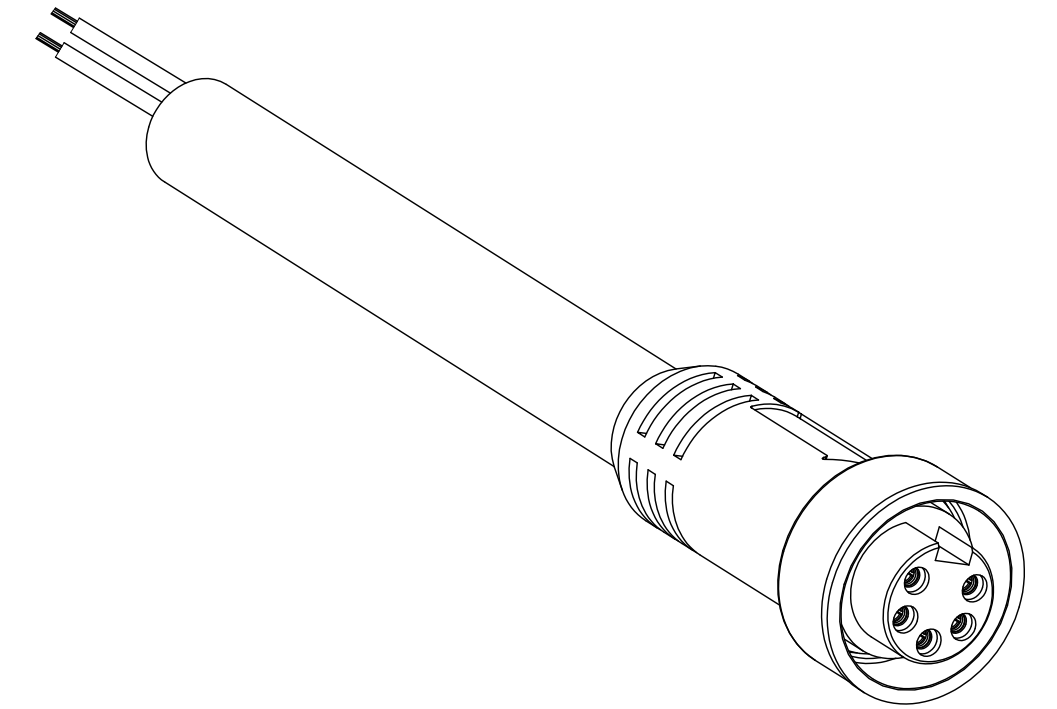
Need more information on product environmental compliance?

Email productcompliance@molex.com
 For a multiple part number RoHS Certificate of Compliance, [click here](#)

Please visit the [Contact Us](#) section for any non-product compliance questions.

Search Parts in this Series
[130006Series](#)

MATERIAL NUMBER	OLD PART NUMBER	FINISHED LENGTH
130006-1309	105000C01F030	3.00' +1.75" -0 [.9M +44.5 -0]
130006-1312	105000C01F060	6.00' +2.19" -0 [1.8M +55.6 -0]
130006-1314	105000C01F120	12.00' +3.50" -0 [3.7M +88.9 -0]
130006-1317	105000C01F200	20.00' +6.50" -0 [6.1M +165.1 -0]
130006-1320	105000C01F250	25.00' +12.50" -0 [7.6M +317.5 -0]



P1

1	RED WITH WHITE
2	RED
3	GREEN-GND
4	RED WITH ORANGE
5	RED WITH BLACK

WIRING DIAGRAM

VOLTAGE RATING	600 VAC/VDC
AMPERAGE RATING	8 AMPS
PROTECTION	IP67
OPERATING TEMPERATURE	-20°C TO 90°C
UL CERTIFICATIONS	UL RECOGNIZED, FILE NO. E46237
CSA CERTIFICATIONS	CSA CERTIFIED, FILE NO. LR6837

ITEM	COMPONENT	MATERIAL	FINISH
1	INSERT	PVC	YELLOW
2	CONTACT SOCKET	COPPER ALLOY	GOLD OVER NICKEL
3	COUPLING NUT	ZINC DIE CAST	BLACK E-COATED
4	OVERMOLD	PVC	YELLOW
5	CABLE- 16 AWG, (65 x #34 COPPER STRANDING) 5 CONDUCTOR 600V, UL SOO, CSA ST	RUBBER	YELLOW
6	LABEL	MYLAR	BLACK/YELLOW

RLSO DRAWING EC NO: WNA2010-0397 DRWN: BWOODMAN2009/12/28 CH'KD: LHARTMAN APPR: JFMURPHY 2010/01/05	QUALITY SYMBOL	GENERAL TOLERANCES (UNLESS SPECIFIED)	DIMENSION STYLE	SCALE	DESIGN UNITS	THIRD ANGLE PROJECTION														
	$\nabla=0$ $\sphericalangle=0$	<table border="1"> <tr> <th></th> <th>mm</th> <th>INCH</th> </tr> <tr> <td>4 PLACES</td> <td>±---</td> <td>±---</td> </tr> <tr> <td>3 PLACES</td> <td>±---</td> <td>±.005</td> </tr> <tr> <td>2 PLACES</td> <td>±0.13</td> <td>±.010</td> </tr> <tr> <td>1 PLACE</td> <td>±0.25</td> <td>±.020</td> </tr> </table>		mm	INCH		4 PLACES	±---	±---	3 PLACES	±---	±.005	2 PLACES	±0.13	±.010	1 PLACE	±0.25	±.020	IN/MM	1:1
		mm	INCH																	
	4 PLACES	±---	±---																	
3 PLACES	±---	±.005																		
2 PLACES	±0.13	±.010																		
1 PLACE	±0.25	±.020																		
DESCRIPTION	ANGULAR ±1/2°	DRAFT WHERE APPLICABLE MUST REMAIN WITHIN DIMENSIONS	DRAWN BY: _____ DATE: _____ CHECKED BY: LH DATE: 2009/12/28 APPROVED BY: JFMURPHY DATE: 2010/01/05	TITLE: MINI-CHANGE 5P FP CORDSET AUTO 16/5 AWG SOO CABLE MOLEX INCORPORATED																
REV			SIZE C	MATERIAL NO. SEE CHART DOCUMENT NO. SD-130006-022 SHEET NO. 1 OF 1																

THIS DRAWING CONTAINS INFORMATION THAT IS PROPRIETARY TO MOLEX INCORPORATED AND SHOULD NOT BE USED WITHOUT WRITTEN PERMISSION