

PLEASE CHECK WWW.MOLEX.COM FOR LATEST PART INFORMATION

Part Number: [0015040802](#)
Status: **Active**
Overview: [flat blade](#)
Description: Flat Blade Appliance Temperature Switch Crimp Housing, 6 Circuit

Documents:

[3D Model](#) [RoHS Certificate of Compliance \(PDF\)](#)
[Drawing \(PDF\)](#)

Agency Certification

CSA LR19980
 UL E29179

General

Product Family Crimp Housings
 Series [41680](#)
 Overview [flat blade](#)
 Product Name Flat Blade

Physical

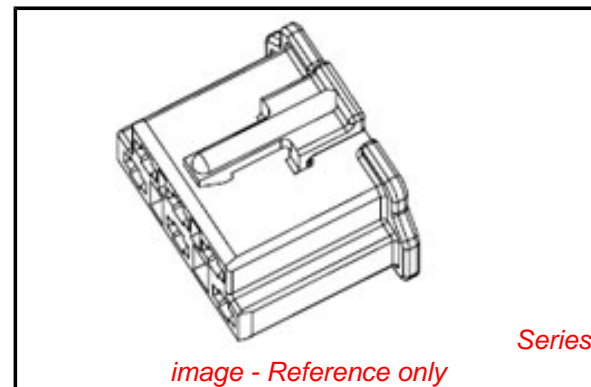
Circuits (maximum) 6
 Color - Resin Natural
 Flammability 94V-2
 Gender Female
 Glow-Wire Compliant No
 Lock to Mating Part Yes
 Material - Resin Nylon
 Number of Rows 2
 Packaging Type Bag
 Panel Mount No
 Pitch - Mating Interface (in) 0.272 In
 Pitch - Mating Interface (mm) 6.90 mm
 Polarized to Mating Part Yes
 Stackable No
 Temperature Range - Operating -40°C to +75°C

Material Info

Old Part Number 41680-06AA

Reference - Drawing Numbers

Sales Drawing SD-41680-6**



EU RoHS

ELV and RoHS Compliant
REACH SVHC Contains SVHC: No
Halogen-Free Status

China RoHS



Need more information on product environmental compliance?

Email productcompliance@molex.com
 For a multiple part number RoHS Certificate of Compliance, [click here](#)

Please visit the [Contact Us](#) section for any non-product compliance questions.

Search Parts in this Series

[41680Series](#)

Mates With

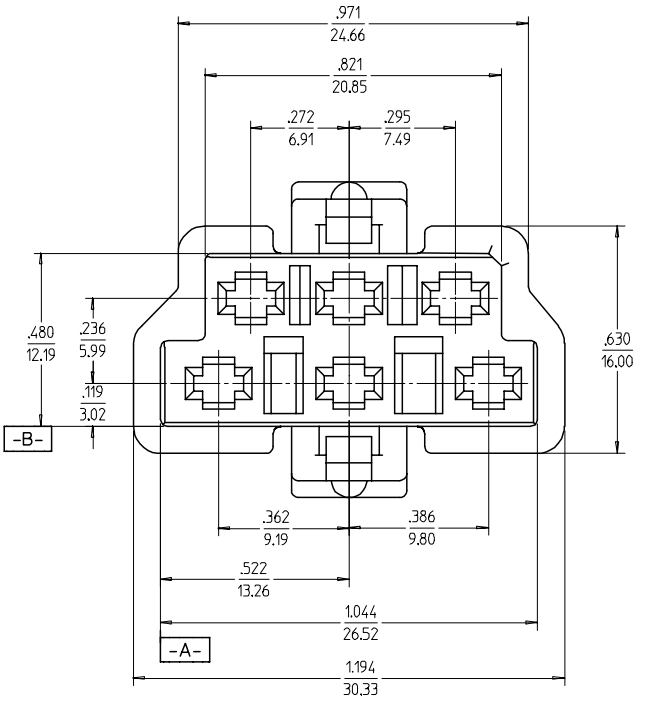
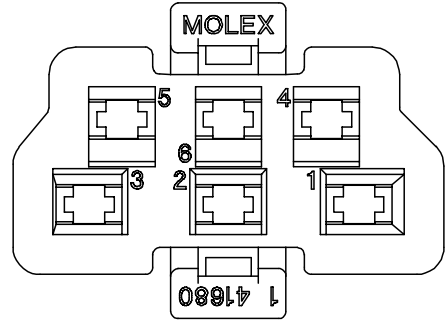
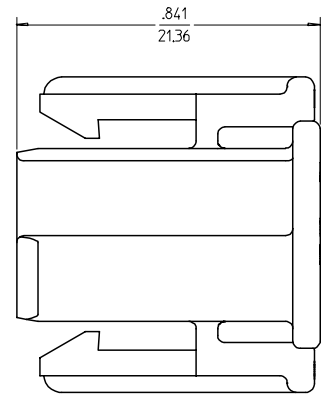
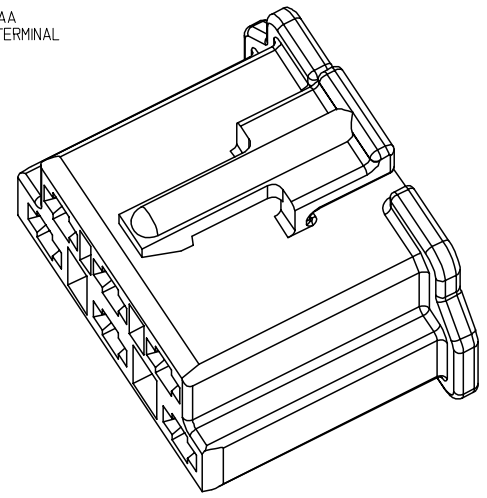
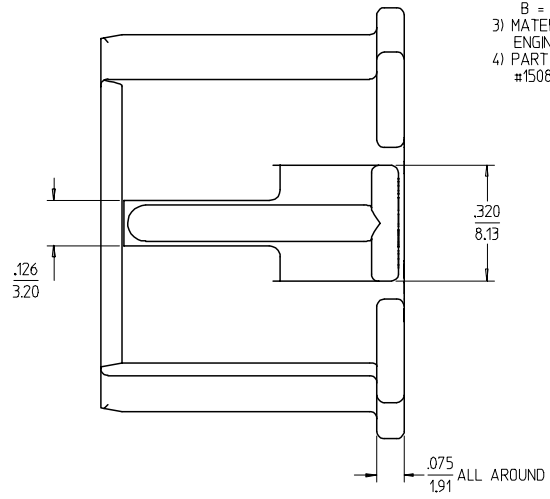
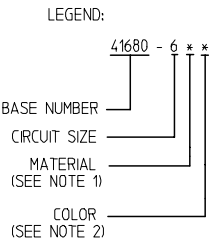
[Temperature Switch](#)

Use With

[1508 Crimp Terminals](#)

PART NUMBER	ENG. NUMBER	MATERIAL (SEE NOTE 1)	FINISH (SEE NOTE 2)
15-04-0802	41680-6AA	A	A
NOT TOOLED	41680-6AB	A	B
NOT TOOLED	41680-6BA	B	A
NOT TOOLED	41680-6BB	B	B

- NOTES:
- MATERIAL:
A = PA66, UL 94V-2, COLOR-TRANSLUCENT WHITE
B = PA66, UL 94V-0, COLOR-OPAQUE WHITE
 - FINISH:
A = NATURAL COLOR
B = BLUE (DYED)
 - MATERIAL NUMBER = 015040802
ENGINEERING NUMBER = 41680-6AA
 - PART IS FOR USE WITH MOLEX TERMINAL #1508-5 AND 1508-6.



REDRAWN/ADD FLANGE EC NO: WCP2003-06885 DRWN:MKAMARA003/02/26 CHKD:MKAMARA003/02/26 APPR:BWIRKUS 2003/02/27	QUALITY SYMBOLS	GENERAL TOLERANCES (UNLESS SPECIFIED)	SCALE 4:1	DESIGN UNITS INCH	THIRD ANGLE PROJECTION	REVISE ON CAD ONLY															
	▽ - 0 ◻ - 0	<table border="1"> <thead> <tr> <th></th> <th>mm</th> <th>INCH</th> </tr> </thead> <tbody> <tr> <td>4 PLACES</td> <td>± ---</td> <td>± ---</td> </tr> <tr> <td>3 PLACES</td> <td>± ---</td> <td>± .010</td> </tr> <tr> <td>2 PLACES</td> <td>± 0.25</td> <td>± .015</td> </tr> <tr> <td>1 PLACE</td> <td>± 0.38</td> <td>± ---</td> </tr> </tbody> </table>		mm	INCH	4 PLACES	± ---	± ---	3 PLACES	± ---	± .010	2 PLACES	± 0.25	± .015	1 PLACE	± 0.38	± ---	DIMENSION STYLE IN/MM DRAWN BY RJF DATE 8/22/88 CHECKED BY JTR DATE 8/22/88	TITLE	TEMPERATURE SWITCH CONNECTOR HOUSING	
		mm	INCH																		
	4 PLACES	± ---	± ---																		
3 PLACES	± ---	± .010																			
2 PLACES	± 0.25	± .015																			
1 PLACE	± 0.38	± ---																			
DRAFT WHERE APPLICABLE		APPROVED BY RAS DATE 8/22/88	MATERIAL NO. SEE CHART		DOCUMENT NO. SD-41680-6**	SHEET NO. 1 OF 1															
MUST REMAIN WITHIN DIMENSIONS		THIS DRAWING CONTAINS INFORMATION THAT IS PROPRIETARY TO MOLEX INCORPORATED AND SHOULD NOT BE USED WITHOUT WRITTEN PERMISSION																			