

PLEASE CHECK WWW.MOLEX.COM FOR LATEST PART INFORMATION

Part Number: [0357501900](#)
Status: **Active**
Description: Ring Tongue Terminal for 10-16 AWG (1.38~5.4mm²), Stud Size 1/4" (M6), Un-plated

Documents:

[Drawing \(PDF\)](#) [RoHS Certificate of Compliance \(PDF\)](#)
[Product Specification PS-35750-005 \(PDF\)](#)

General

Product Family	Ring and Spade Terminals
Series	35750
Crimp Quality Equipment	Yes
Mil-Spec	N/A
Product Name	R (Ring)
Type	Ring

Physical

Barrel Type	Open
Insulation	None
Material - Plating Mating	Tin
Packaging Type	Reel
Stud Size	1/4" (M6)
Temperature Range - Operating	-40°C to +105°C
Termination Interface: Style	Crimp or Compression
Wire Insulation Diameter	4.40mm (.175") max.
Wire Size AWG	10, 12, 14, 16
Wire Size mm ²	1.38 - 5.40

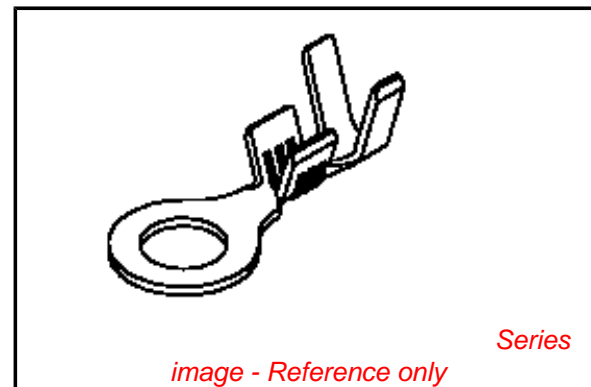
Electrical

Voltage - Maximum	300V DC
-------------------	---------

Material Info

Reference - Drawing Numbers

Product Specification	PS-35750-005
Sales Drawing	SD-35750-19*0



EU RoHS

**ELV and RoHS
Compliant**
**REACH SVHC
Contains SVHC: No**
**Halogen-Free
Status**

China RoHS



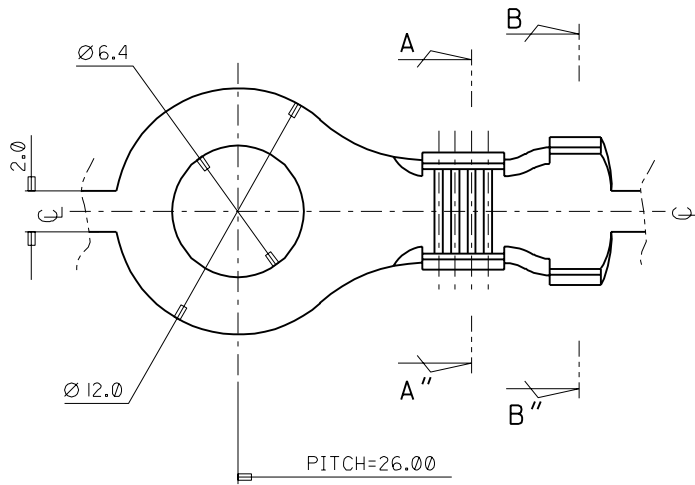
**Need more information on product
environmental compliance?**

Email productcompliance@molex.com
 For a multiple part number RoHS Certificate of Compliance, [click here](#)

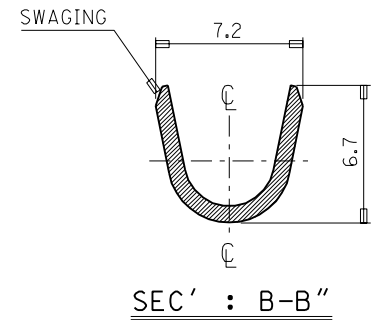
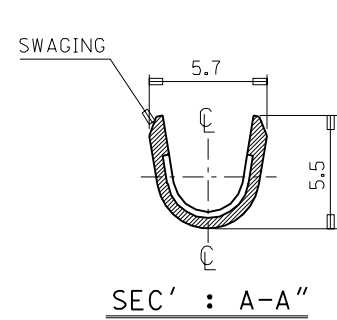
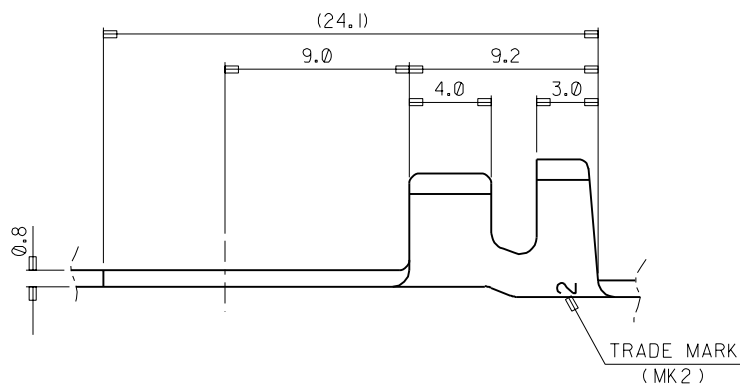
Please visit the [Contact Us](#) section for any non-product compliance questions.

Search Parts in this Series
[35750Series](#)

ENG. NO. SD 35750-19*0
 EDP NO.
 SIMILAR ITEM
 PROJECT NO. Ø6.4 RING TM'L
 DO NOT SCALE DRAWING
 DIMENSION IN METRIC



- NOTES
1. MATERIAL : BRASS . 0.8mm THICKNESS
 2. FINISH : 35750-1900 : UNPLATED
 35750-1910 : POST PLATED TIN
 35750-1940 : POST PLATED TIN-LEAD
 3. RECOMMENDED LENGTH OF WIRE STRIP IS 5.6-6.2mm.



ASS'Y PART		QTY/REEL OR PACK	SURFACE AREA	MATERIAL	WIRE RANGE	GENERAL TOLERANCES	molex MOLEX-KOREA CO.,LTD.						
DESCRIPTION	ENG.NO.	2,000 Q'TY /REEL	MM ²	SEE NOTES	AWG: #16-#10	DIM. : ±0.30							
C	REVISED	93-023	93.11.3		MM ² : 1.38-5.4	ANGLE : ±0.20	REVISION RECORD						
B	REVISED	93-019	93.8.17		INSULATION RANGE								
A	CAD REDRAWING	93-016	93.7.12										
LTR	REVISION RECORD	ECN	DR./CHK	DATE	DIE FEED	APPL FEED	WBDW	IBDW	APP'D BY	SCALE	TITLE: Ø 6.4 RING TM'L(LA206) 1 of 1	ENG.NO. SD 35750-19*0	REV C
					26.00				J.S.KANG	4.5/1			