

**PLEASE CHECK WWW.MOLEX.COM FOR LATEST PART INFORMATION**

**Part Number:** [0554600372](#)  
**Status:** **Active**  
**Description:** 2.00mm (.079") Pitch Mi II™ System Wire-to-Board Header, Surface Mount, Single Row, Vertical, Lead-free, 3 Circuits

**Documents:**

[3D Model](#) [Product Specification PS-52484-022 \(PDF\)](#)  
[Drawing \(PDF\)](#) [RoHS Certificate of Compliance \(PDF\)](#)  
[Product Specification PS-51090-017 \(PDF\)](#)

**General**

Product Family	PCB Headers
Series	<a href="#">55460</a>
Application	Wire-to-Board
Product Name	Mi II™

**Physical**

Breakaway	No
Circuits (Loaded)	3
Circuits (maximum)	3
Color - Resin	Natural
Durability (mating cycles max)	30
First Mate / Last Break	No
Glow-Wire Compliant	No
Guide to Mating Part	No
Keying to Mating Part	None
Lock to Mating Part	No
Material - Metal	Phosphor Bronze
Material - Plating Mating	Tin
Material - Plating Termination	Tin
Material - Resin	High Temperature Thermoplastic
Number of Rows	1
Orientation	Vertical
PCB Locator	No
PCB Retention	Yes
Packaging Type	Embossed Tape on Reel
Pitch - Mating Interface (in)	0.079 In
Pitch - Mating Interface (mm)	2.00 mm
Shrouded	Fully
Stackable	No
Temperature Range - Operating	-40°C to +105°C
Termination Interface: Style	Surface Mount

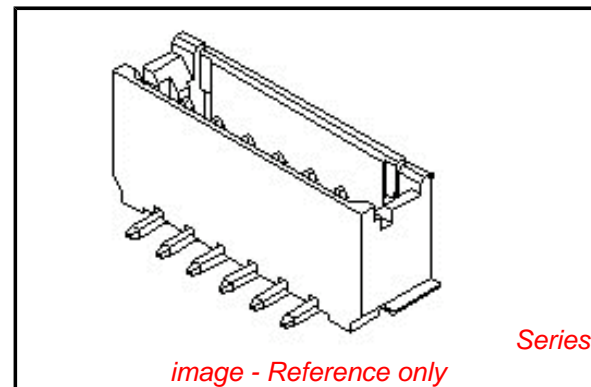
**Electrical**

Current - Maximum per Contact	1.5A
Voltage - Maximum	125V

**Material Info**

**Reference - Drawing Numbers**

Product Specification	PS-51090-017, PS-52484-022, RPS-51090-026
Sales Drawing	SD-55460-010, SD-55460-011



**EU RoHS**

**ELV and RoHS  
Compliant**

**REACH SVHC**

Not Reviewed

**Halogen-Free**

**Status**

**Not Halogen-Free**

**Need more information on product  
environmental compliance?**

Email [productcompliance@molex.com](mailto:productcompliance@molex.com)  
 For a multiple part number RoHS Certificate of  
 Compliance, [click here](#)

Please visit the [Contact Us](#) section for any  
 non-product compliance questions.

**China RoHS**

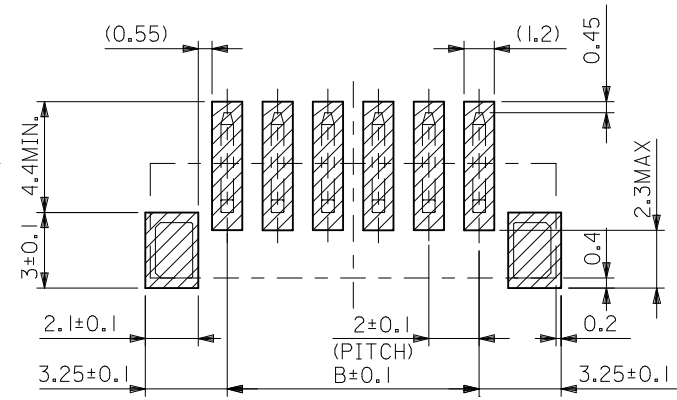
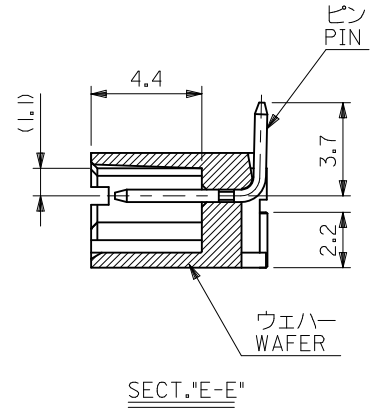
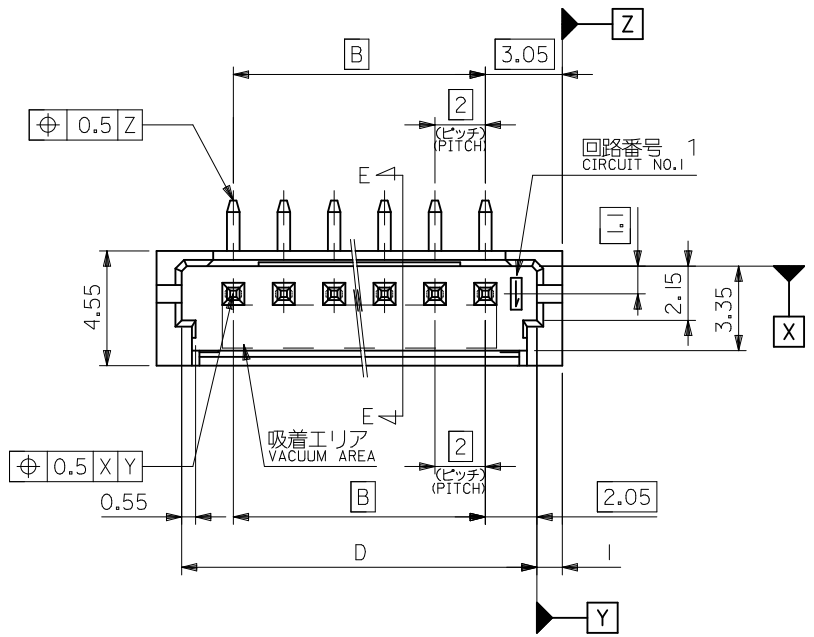


**Search Parts in this Series**

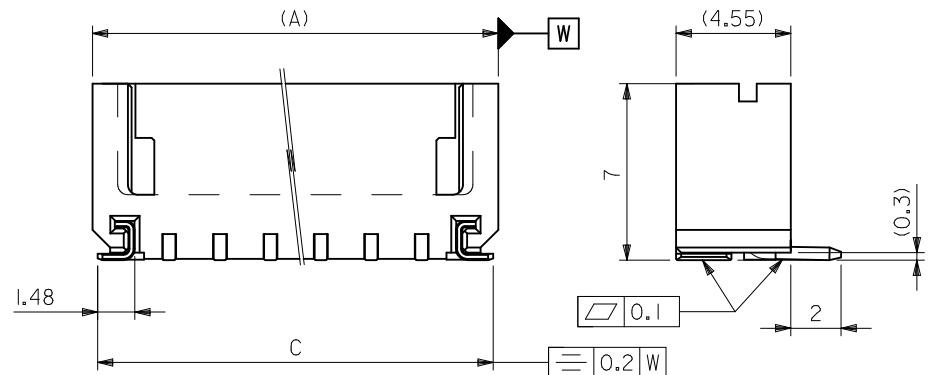
[55460Series](#)

**Mates With**

[52484](#) IDT Receptacle Housing. [51090](#)  
 Wire-to-Board Receptacle



参考基板レイアウト  
RECOMMENDED P.C.BOARD PATTERN DIM.(REF.)



32.1	33.7	28	34.1	55460-1572	15
28.1	29.7	24	30.1	-1372	13
26.1	27.7	22	28.1	-1272	12
22.1	23.7	18	24.1	-1072	10
18.1	19.7	14	20.1	-0872	8
16.1	17.7	12	18.1	-0772	7
14.1	15.7	10	16.1	-0672	6
12.1	13.7	8	14.1	-0572	5
10.1	11.7	6	12.1	-0472	4
8.1	9.7	4	10.1	-0372	3
6.1	7.7	2	8.1	55460-0272	2
D	C	B	A	EMBOSSED PACKAGE オーダー番号 ORDER No.	種数 CKTS.

注記  
NOTES

1. 材質  
MATERIAL  
ウェハー: PA (UL94V-0)  
WAFER: PA (UL94V-0)  
ピン: 黄銅 (口0.5), 銅下地錫メッキ  
PIN: BRASS (0.5), TIN OVER COPPER PLATING  
金具: リン青銅 (+0.25), ニッケル下地錫メッキ  
NAIL: PHOSPHOR BRONZE (+0.25), TIN OVER NICKEL PLATING
2. 嵌合相手: 51090, 52484 シリーズ  
MATE WITH 51090, 52484 SERIES.
3. 本製品は 55460-\*\*\*10 の鉛フリー品である。  
THIS PRODUCT IS LEAD FREE OF 55460-\*\*\*10.
4. ELV AND RoHS COMPLIANT.

REVISED	EC NO: J2009-1664	2008/07/09	GENERAL TOLERANCES (UNLESS SPECIFIED)
	DRWN: YA0YAGI	2010/03/26	10 UNDER ±0.2
	CHKD: HATSUMOTO	2010/03/26	10 OVER 30 UNDER ±0.25
	APPR: NUKITA	2010/03/26	30 OVER ±0.3
REV	DESCRIPTION	ANGULAR ±3 °	DRAFT WHERE APPLICABLE MUST REMAIN WITHIN DIMENSIONS

DIMENSION STYLE MM ONLY		SCALE ---	DESIGN UNITS METRIC	THIRD ANGLE PROJECTION
DRAWN BY T. UENO	DATE 2004/03/29	TITLE 2.0 W/B CONN WAFER ASSY FOR SMT ST		
CHECKED BY M. SASAO	DATE 2004/03/29	MOLEX INCORPORATED		
APPROVED BY M. SASAO	DATE 2004/03/29	MATERIAL NO. SEE TABLE	DOCUMENT NO. SD-55460-010	SHEET NO. 1 OF 1
THIS DRAWING CONTAINS INFORMATION THAT IS PROPRIETARY TO MOLEX INCORPORATED AND SHOULD NOT BE USED WITHOUT WRITTEN PERMISSION				

DWG. NO.  
SD-55460-011

F

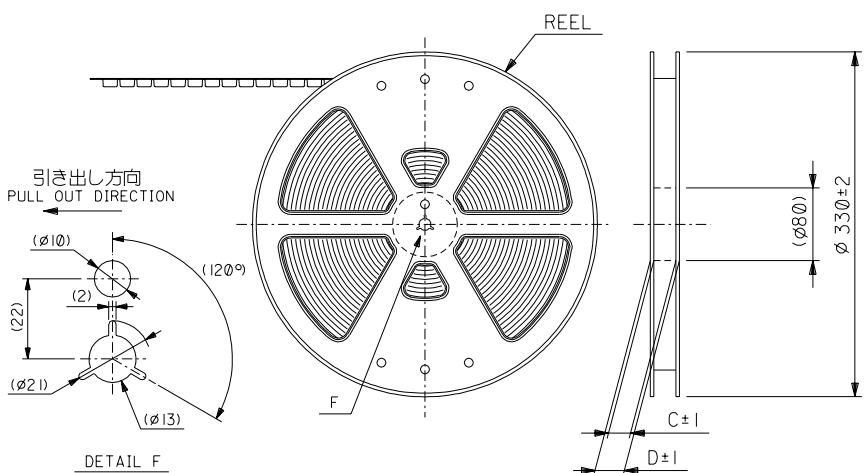
D

V

C

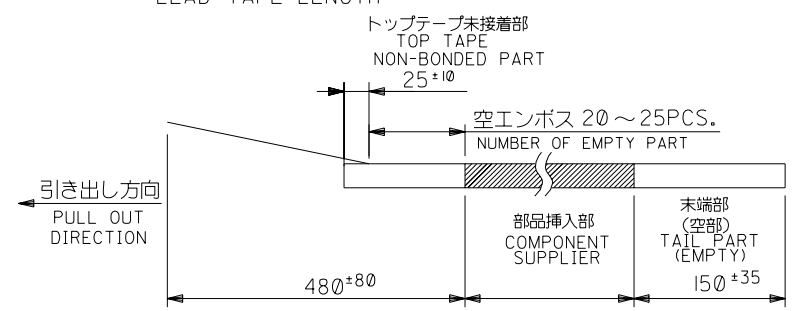
B

DO NOT SCALE DRAWING

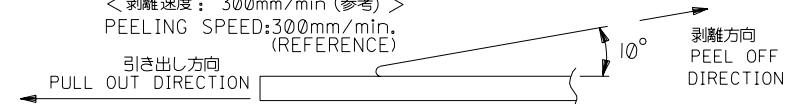


NOTES

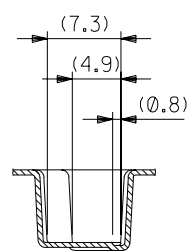
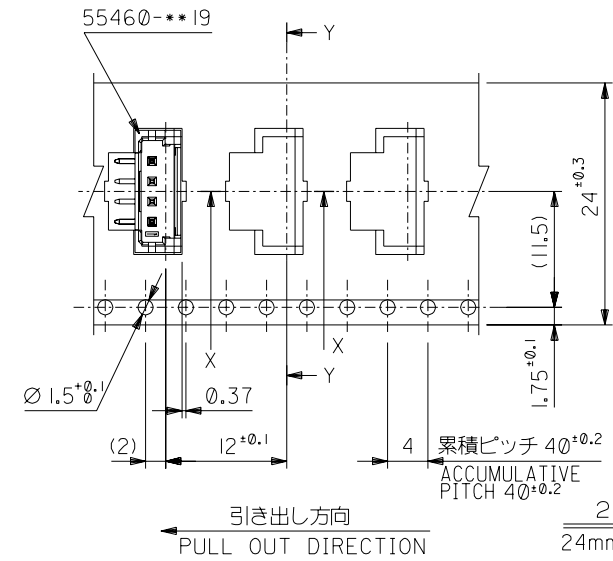
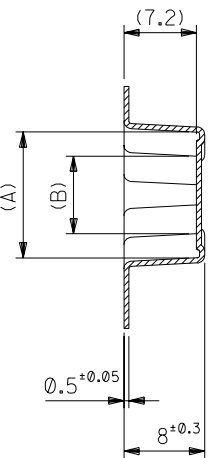
- 梱包数量：900個/リール  
NUMBER OF CONNECTOR:900PCS/REEL
- リードテープ長さ  
LEAD TAPE LENGTH



- トップテープの剥離強度：0.1N～1.3N(10gf～130gf) (剥離方向は下図参照)  
PEELING OFF FORCE OF TOP TAPE: 0.1N～1.3N(10gf～130gf) (PEELING DIRECTION IS SHOWN IN FOLLOWING FIG.)  
<剥離速度：300mm/min (参考)>  
PEELING SPEED:300mm/min. (REFERENCE)

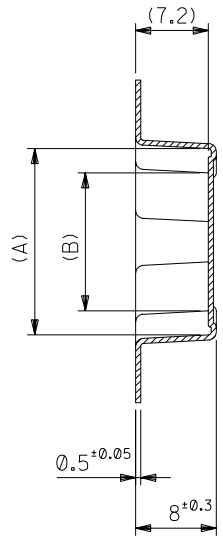


- 55460-\*\*19 の詳細寸法については図面 SD-55460-010 を参照下さい。  
RE DETAILED DIMENSIONS,SEE SD-55460-010
- 材料 (MATERIAL)  
キャリアテープ(CARRIER TAPE):ポリプロピレン(POLYPROPYLENE)  
トップテープ (TOP TAPE): PET ,PE ,PEF  
リール (REEL) : ポリスチレン (PS) <リサイクル材を含む>  
POLYSTYRENE(PS)<RECYCLE MATERIAL CONTAINED>
- 本製品は 55460-\*\*90 の鉛フリー品である。  
THIS PRODUCT IS LEAD FREE OF 55460-\*\*90.

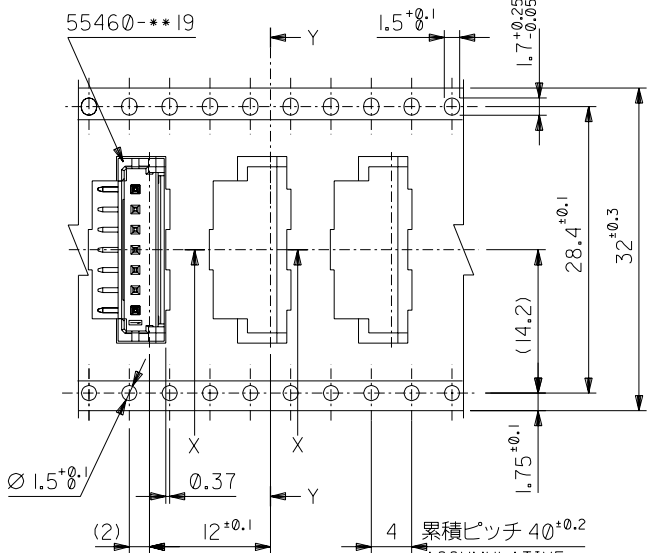


24	29.4	25.4	11.7	16.45	55460-0672	6
			9.7	14.45	55460-0572	5
			7.7	12.45	55460-0472	4
			5.7	10.45	55460-0372	3
			3.7	8.45	55460-0272	2
キャリアテープ幅	D	C	B	A	MATERIAL NO.	種数 CKTS.

EC NO. DRWN: CH'K: APPR:		EC NO. DRWN: CH'K: APPR:		EC NO. DRWN: CH'K: APPR:		EC NO. DRWN: CH'K: APPR:		EC NO. DRWN: CH'K: APPR:		新規格作成 RELEASED EC NO. J2004-3410 DRWN: T.UENO '04/03/29 CH'K: M.SASAO '04/03/29 APPR: M.SASAO '04/03/29		MATERIAL 材料 注記参照 SEE NOTES		GENERAL TOLERANCES: (UNLESS SPECIFIED) 一般公差		SCALE DESIGN UNITS mm □ INCH		MODEL NO. THIRD ANGLE PROJECTION		DIMENSIONS: mm □ INCH □ mm □ INCH □ mm ONLY		SHT REV	
												10 UNDER 未満 ±0.2		DRAWN BY & DATE T.UENO '04/03/29		TITLE: 2.0 W+B Conn WAFER Assy Embstp pkg -LEAD FREE-							
												10 OVER 30 UNDER 未満 ±0.25		CHECKED BY & DATE M.SASAO '04/03/29									
												30 OVER 以上 ±0.3		APPROVED BY & DATE M.SASAO '04/03/29		MOLEX MOLEX INCORPORATED							
												WIRE RANGE 適用電線範囲 //		CAD FILENAME SD-55460-011.S01		MATERIAL NO. SEE CHART		DRAWING NO. SD-55460-011		SHEET NO. 1 OF 3			
												INS. RANGE 被覆外径 //		THIS DRAWING CONTAINS INFORMATION THAT IS PROPRIETARY TO MOLEX INCORPORATED AND SHOULD NOT BE USED WITHOUT WRITTEN PERMISSION.						SIZE B			

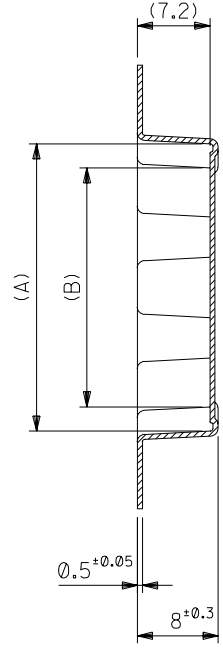


SECT. Y-Y

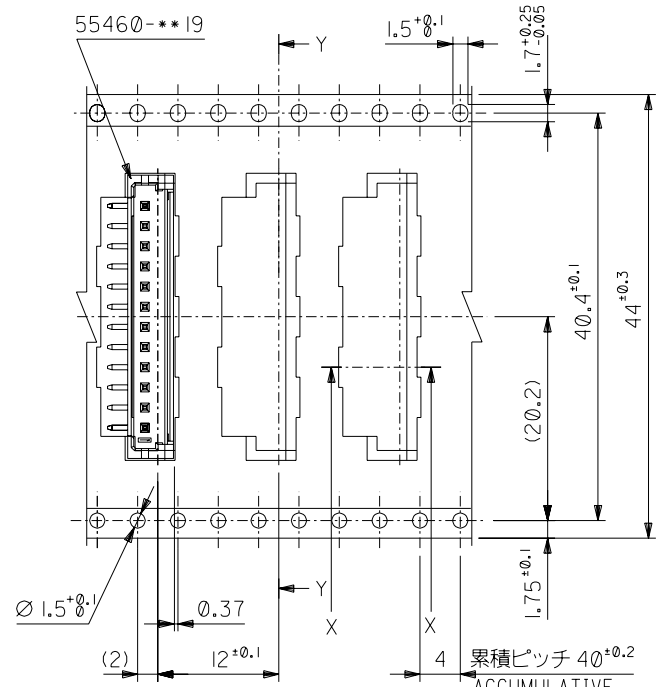


引き出し方向  
PULL OUT DIRECTION

32mm幅キャリアテープ  
32mm WIDTH CARRIER TAPE

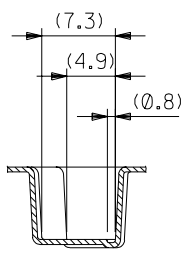


SECT. Y-Y



引き出し方向  
PULL OUT DIRECTION

44mm幅キャリアテープ  
44mm WIDTH CARRIER TAPE



SECT. X-X

44	49.4	45.4	25.7	30.45	55460-1372	13
			23.7	28.45	55460-1272	12
32	37.4	33.4	19.7	24.45	55460-1072	10
			15.7	20.45	55460-0872	8
			13.7	18.45	55460-0772	7
キャリアテープ幅	D	C	B	A	MATERIAL NO.	種数 CKTS.

DO NOT SCALE DRAWING

EC NO. DRWN: CHK: APPR:	EC NO. DRWN: CHK: APPR:	EC NO. DRWN: CHK: APPR:	EC NO. DRWN: CHK: APPR:	EC NO. DRWN: CHK: APPR:	EC NO. DRWN: CHK: APPR:
					SEE SHEET 1 OF 3

DESCRIPTION	MATERIAL 材料	GENERAL TOLERANCES: (UNLESS SPECIFIED) 一般公差
FINISH 仕上げ	SHEET 1 OF 3参照 SEE SHEET 1 OF 3	10 UNDER 未満 ±0.2
WIRE RANGE 適用電線範囲	//	10 OVER 30 UNDER 未満 ±0.25
INS. RANGE 被覆外径	//	30 OVER 以上 ±0.3
REV		ANGLE 角度 ±3°

SCALE	DESIGN UNITS <input checked="" type="checkbox"/> mm <input type="checkbox"/> INCH	THIRD ANGLE PROJECTION	DIMENSIONS: <input type="checkbox"/> mm <input type="checkbox"/> INCH <input checked="" type="checkbox"/> mm ONLY	SHT	REV
DRAWN BY & DATE T.UENO '04/03/29	TITLE: 2.0 WtB Conn WAFER Assy Embstp pkg -LEAD FREE-				
CHECKED BY & DATE M.SASAO '04/03/29	MOLEX INCORPORATED				
APPROVED BY & DATE M.SASAO '04/03/29	CAD FILENAME SD-55460-011.S02	MATERIAL NO. SEE CHART	DRAWING NO. SD-55460-011	SHEET NO. 2 OF 3	
THIS DRAWING CONTAINS INFORMATION THAT IS PROPRIETARY TO MOLEX INCORPORATED AND SHOULD NOT BE USED WITHOUT WRITTEN PERMISSION.					SIZE B

DWG. NO.  
SD-55460-011

F

D

V

C

B

DO NOT SCALE DRAWING

8

7

6

5

4

3

2

1

F

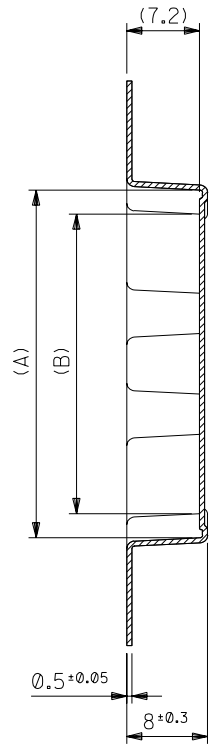
E

D

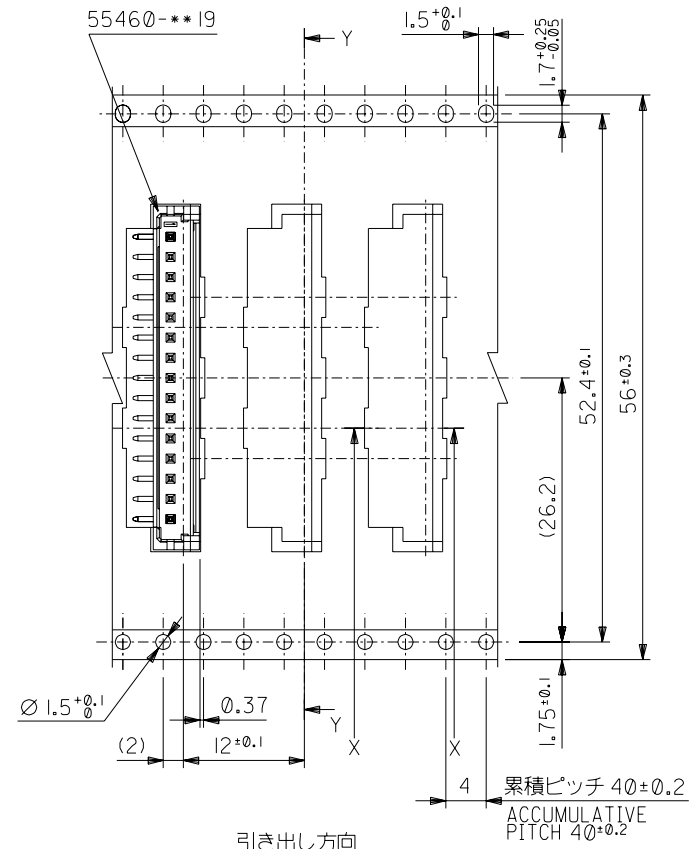
C

B

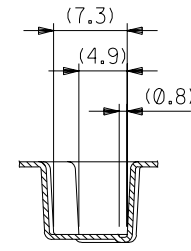
A



SECT. Y-Y



引き出し方向  
PULL OUT DIRECTION  
56mm幅キャリアテープ  
56mm WIDTH CARRIER TAPE



SECT. X-X

56	61.4	57.4	29.7	34.45	55460-1572	15
キャリアテープ幅	D	C	B	A	MATERIAL NO.	種数 CKTS.

55460-***72	MODEL NO.	DIMENSIONS:	SHT	REV
<input checked="" type="checkbox"/> mm	<input type="checkbox"/> INCH	<input type="checkbox"/> mm ONLY	REVISE ON CAD ONLY	

EC NO. DRWN: CHK: APPR:	EC NO. DRWN: CHK: APPR:	EC NO. DRWN: CHK: APPR:	EC NO. DRWN: CHK: APPR:	EC NO. DRWN: CHK: APPR:	EC NO. DRWN: CHK: APPR:
EC NO. SEE SHEET 1 OF 3					
DESCRIPTION					
MATERIAL 材料					
FINISH 仕上げ					
WIRE RANGE 適用電線範囲					
INS. RANGE 被覆外径					

SHEET 1 OF 3 参照 SEE SHEET 1 OF 3	
10 UNDER 未満	±0.2
10 OVER 以上 30 UNDER 未満	±0.25
30 OVER 以上	±0.3
ANGLE 角度	±3°

GENERAL TOLERANCES: (UNLESS SPECIFIED) 一般公差	
SCALE	DESIGN UNITS
THIRD ANGLE PROJECTION	
DRAWN BY & DATE T.UENO '04/03/29	
CHECKED BY & DATE M.SASAO '04/03/29	
APPROVED BY & DATE M.SASAO '04/03/29	
CAD FILENAME SD-55460-011.S03	

TITLE: 2.0 WtB Conn WAFER Assy Embstp pkg -LEAD FREE-			
MOLEX INCORPORATED			
CAD FILENAME SD-55460-011.S03	MATERIAL NO. SEE CHART	DRAWING NO. SD-55460-011	SHEET NO. 3 OF 3
THIS DRAWING CONTAINS INFORMATION THAT IS PROPRIETARY TO MOLEX INCORPORATED AND SHOULD NOT BE USED WITHOUT WRITTEN PERMISSION.			SIZE B

8

7

6

5

4

3

2