

**PLEASE CHECK WWW.MOLEX.COM FOR LATEST PART INFORMATION**

**Part Number:** [0850090335](#)  
**Status:** **Active**  
**Overview:** [din\\_41612](#)  
**Description:** 2.54mm (.100") Pitch DIN 41612/EIC 603-2 Mixed Layout Connector, Male Style M, Right Angle, Through Hole, 1µm (40µ") Selective Gold (Au), 64 Circuits

**Documents:**

[3D Model](#) [Product Specification PS-85003-0001 \(PDF\)](#)  
[Drawing \(PDF\)](#) [RoHS Certificate of Compliance \(PDF\)](#)

**Agency Certification**

CSA LR19980  
 UL E29179

**General**

Product Family Backplane Connectors  
 Series [85009](#)  
 Application Backplane  
 Comments Mixed Layout  
 Component Type PCB Header  
 Overview [din\\_41612](#)  
 Product Name IEC 603-2/DIN 41612  
 Style M

**Physical**

Circuits (Loaded) 64  
 Circuits (maximum) 64  
 Circuits Detail 60 + 4  
 Durability (mating cycles max) 500  
 Flammability 94V-0  
 Keying to Mating Part Yes  
 Number of Columns 20  
 Number of Pairs Open Pin Field  
 Number of Rows 3  
 Orientation Right Angle  
 PC Tail Length (in) 0.118 In  
 PC Tail Length (mm) 3.00 mm  
 PCB Locator No  
 PCB Retention None  
 PCB Thickness Recommended (in) 0.062 In  
 PCB Thickness Recommended (mm) 1.60 mm  
 Packaging Type Tray  
 Pitch - Mating Interface (in) 0.100 In  
 Pitch - Mating Interface (mm) 2.54 mm  
 Pitch - Term. Interface (in) 0.100 In  
 Pitch - Term. Interface (mm) 2.54 mm  
 Temperature Range - Operating -55°C to +125°C

**Electrical**

Current - Maximum per Contact 1.5A  
 Data Rate 622.0 Mbps  
 Voltage - Maximum 250V AC (RMS)

**Material Info**

**Reference - Drawing Numbers**

Packaging Specification PK-85009-001

**EU RoHS**

**ELV and RoHS**

**Compliant**

**REACH SVHC**

Not Reviewed

**Halogen-Free**

**Status**

**Not Reviewed**

**China RoHS**



**Need more information on product environmental compliance?**

Email [productcompliance@molex.com](mailto:productcompliance@molex.com)  
 For a multiple part number RoHS Certificate of Compliance, [click here](#)

Please visit the [Contact Us](#) section for any non-product compliance questions.

**Search Parts in this Series**

[85009Series](#)

**Mates With**

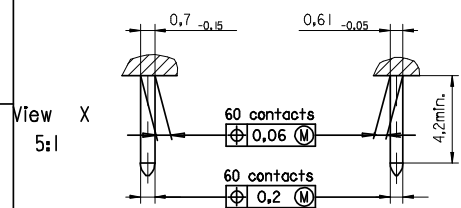
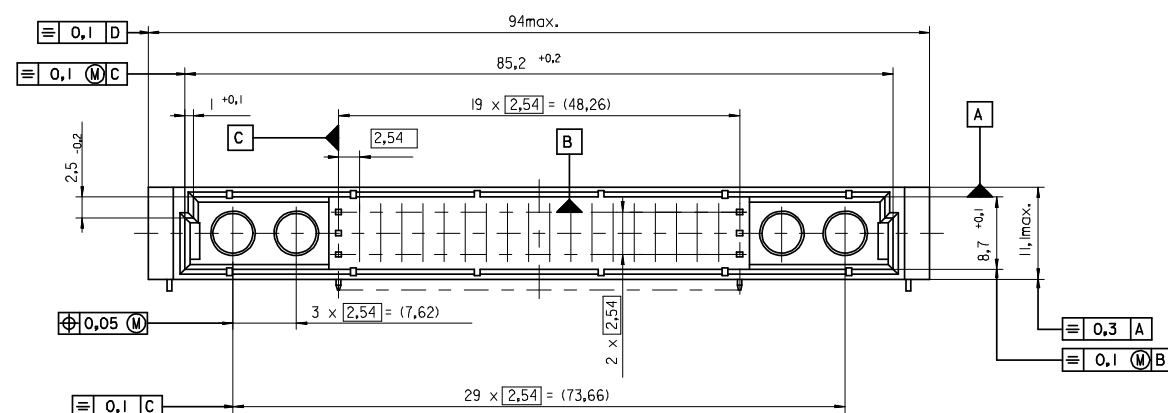
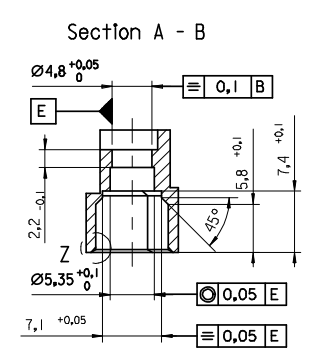
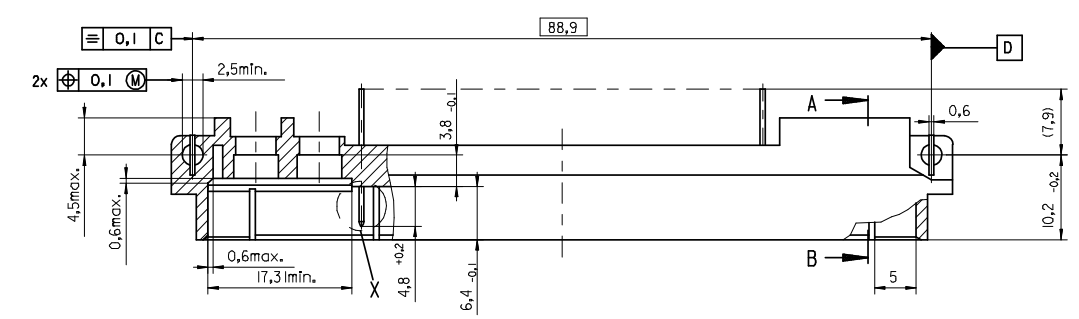
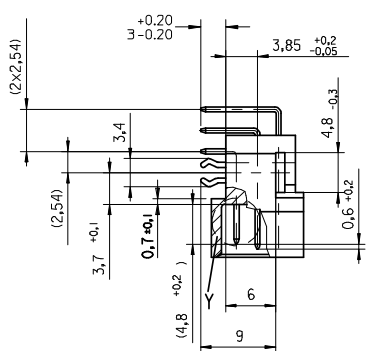
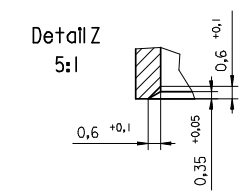
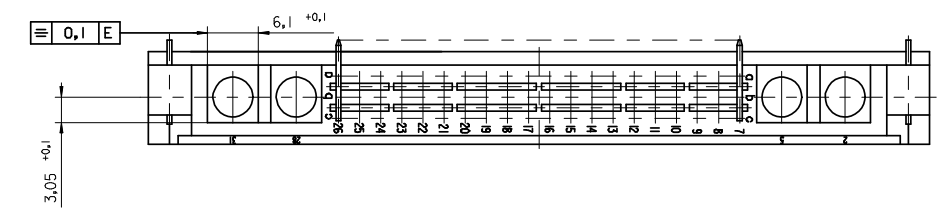
[85048](#) , [85056](#)

**Use With**

[85023](#)

This document was generated on 05/17/2010

**PLEASE CHECK [WWW.MOLEX.COM](http://WWW.MOLEX.COM) FOR LATEST PART INFORMATION**



<b>ENTER DESCRIPTION</b> EC NO: 12009-0039 2008/07/28 DRAWNSJ CHKD:KPRASAD 2008/07/31 APPR:KPRASAD 2008/08/11	<b>QUALITY SYMBOLS</b> ▽=0 ▽=0	<b>GENERAL TOLERANCES (UNLESS SPECIFIED)</b>		DIMENSION STYLE <b>MM ONLY</b>	SCALE <b>2:1</b>	DESIGN UNITS <b>METRIC</b>	THIRD ANGLE PROJECTION
		4 PLACES ± --- ± --- 3 PLACES ± --- ± --- 2 PLACES ± --- ± --- 1 PLACE ± --- ± ---	mm INCH	DRAWN BY CA	DATE 1995/06/13	TITLE 60POS. MALE DIN CONNECTOR DIN 41612 STYLE M	MOLEX INCORPORATED
<b>DRAFT WHERE APPLICABLE MUST REMAIN WITHIN DIMENSIONS</b>	ANGULAR ± 2 °	APPROVED BY KN	DATE 1995/06/13	MATERIAL NO. -----	DOCUMENT NO. SDA-85009-0003	THIS DRAWING CONTAINS INFORMATION THAT IS PROPRIETARY TO MOLEX INCORPORATED AND SHOULD NOT BE USED WITHOUT WRITTEN PERMISSION	SIZE A2

