

PLEASE CHECK WWW.MOLEX.COM FOR LATEST PART INFORMATION

Part Number: [0878914006](#)
Status: **Active**
Overview: [kk](#)
Description: 2.54mm (.100") Pitch KK® Header, Through Hole, Breakaway, Vertical, 40 Circuits, 2.50µm (100µ") Tin (Sn) Overall Plating, Tray Packaging, Lead-free

Documents:

[3D Model](#) [Product Specification PS-87920-019 \(PDF\)](#)
[Drawing \(PDF\)](#) [RoHS Certificate of Compliance \(PDF\)](#)

General

Product Family PCB Headers
 Series [87891](#)
 Application Board-to-Board, Wire-to-Board
 Overview [kk](#)
 Product Name KK®

Physical

Breakaway Yes
 Circuits (Loaded) 40
 Circuits (maximum) 40
 Color - Resin Black
 First Mate / Last Break No
 Glow-Wire Compliant No
 Guide to Mating Part No
 Keying to Mating Part None
 Lock to Mating Part None
 Mated Height (in) 0.230 In
 Mated Height (mm) 5.84 mm
 Material - Metal Copper Alloy
 Material - Plating Mating Tin
 Material - Plating Termination Nickel
 Material - Resin Nylon
 Number of Rows 1
 Orientation Vertical
 PC Tail Length (in) 0.117 In
 PC Tail Length (mm) 2.97 mm
 PCB Locator No
 PCB Retention None
 PCB Thickness Recommended (in) 0.063 In
 PCB Thickness Recommended (mm) 1.60 mm
 Packaging Type Tray
 Pitch - Mating Interface (in) 0.100 In
 Pitch - Mating Interface (mm) 2.54 mm
 Pitch - Term. Interface (in) 0.100 In
 Pitch - Term. Interface (mm) 2.54 mm
 Plating min: Mating (µin) 100
 Plating min: Mating (µm) 2.50
 Plating min: Termination (µin) 100
 Plating min: Termination (µm) 2.50
 Polarized to Mating Part No
 Polarized to PCB No
 Shrouded No
 Stackable No
 Temperature Range - Operating -55°C to +105°C
 Termination Interface: Style Through Hole

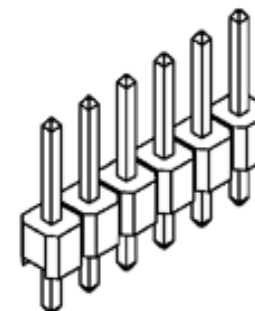


image - Reference only

Series

EU RoHS

ELV and RoHS Compliant
REACH SVHC
 Not Reviewed
Halogen-Free Status
 Not Reviewed

China RoHS



Need more information on product environmental compliance?

Email productcompliance@molex.com
 For a multiple part number RoHS Certificate of Compliance, [click here](#)

Please visit the [Contact Us](#) section for any non-product compliance questions.

Search Parts in this Series

[87891Series](#)

Mates With

KK® PCB Receptacles [4455](#). SL™ IDT Housings [70430](#) , [7720](#), [70400](#). C-Grid® PCB Receptacles [90147](#), [90148](#)

Electrical

| | |
|-------------------------------|------|
| Current - Maximum per Contact | 3A |
| Voltage - Maximum | 250V |

Solder Process Data

| | |
|--|------------------------|
| Duration at Max. Process Temperature (seconds) | 12 |
| Lead-free Process Capability | Wave Capable (TH only) |
| Max. Cycles at Max. Process Temperature | 1 |
| Process Temperature max. C | 260 |

Material Info**Reference - Drawing Numbers**

| | |
|-------------------------|--------------|
| Packaging Specification | PK-89990-491 |
| Product Specification | PS-87920-019 |
| Sales Drawing | SD-87891-013 |

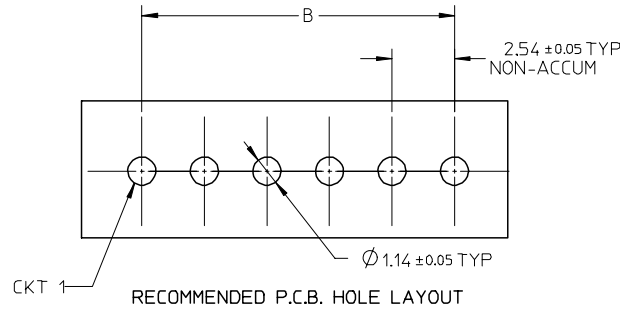
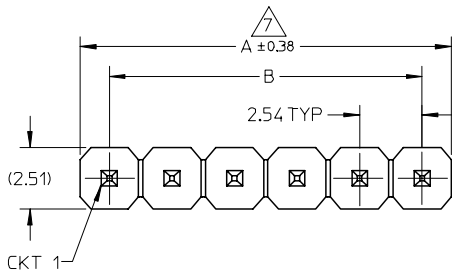
This document was generated on 05/25/2010

PLEASE CHECK WWW.MOLEX.COM FOR LATEST PART INFORMATION

10 9 8 7 6 5 4 3 2 1

F

F

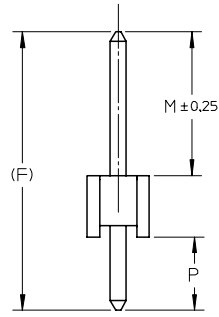
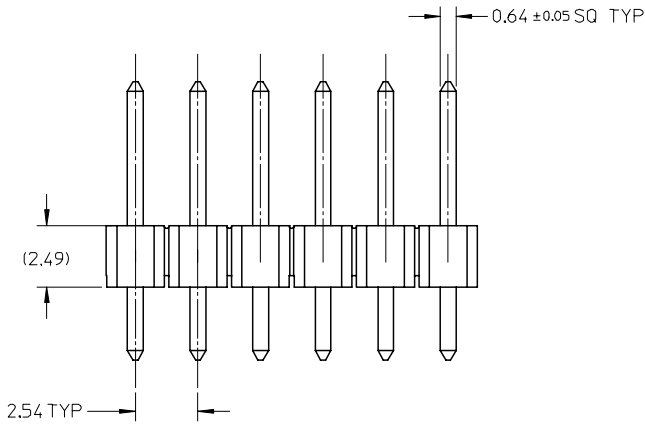


NOTES

1. MATERIAL:
HSG: NYLON, GLASS-FILLED, UL94V-0 COLOR: BLACK
PIN: 0.64MM SQ, COPPER ALLOY
2. PLATING TYPE:
 - (1) GOLD FLASH OVER
1.270µm MIN. NICKEL OVERALL.
 - (2) GOLD FLASH ON CONTACT AND
1.905µm MIN. TIN ON SOLDER TAIL OVER
1.270µm MIN. NICKEL OVERALL.
 - (3) 0.254µm MIN. GOLD PLATE ON CONTACT AND
1.905µm MIN. TIN ON SOLDER TAIL OVER
1.270µm MIN. NICKEL OVERALL.
 - (4) 0.381µm MIN. GOLD PLATE ON CONTACT AND
1.905µm MIN. TIN ON SOLDER TAIL OVER
1.270µm MIN. NICKEL OVERALL.
 - (5) 0.762µm MIN. GOLD PLATE ON CONTACT AND
1.905µm MIN. TIN ON SOLDER TAIL OVER
1.270µm MIN. NICKEL OVERALL.
 - (6) 2.540µm/100µm MIN TIN OVERALL
1.270µm/50µm NICKEL OVERALL
3. PRODUCT SPECIFICATION: PS-87920-019
4. PACKAGING TYPE: SEE TABLE
5. WAFER TO BE FLAT WITHIN 0.003 mm/mm
6. RECOMMENDED PCB THICKNESS IS 1.60mm±0.10
- △ IRREGULAR CIRCUIT CUTOFF WITHIN BREAKAWAY SECTION IS PERMISSIBLE. CUTTING OR CHIPPING OF THE MAIN BODY IS NOT ACCEPTABLE
8. THE ABOVE CKT 6 IS FOR ILLUSTRATION PURPOSE ONLY
9. PACKAGING SPECIFICATION:
TRAY: PK-89990-489
BULK: PK-89990-491

E

E



D

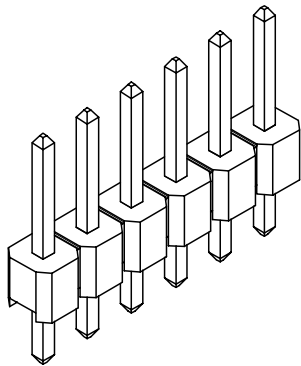
D

C

C

B

B



A

A

| EWR# 1023 EC NO: S2007-0289 DRWN:SKL/M01 CHKD:C/LAM APPR:K/LEE 2006/09/29 2006/09/29 2006/09/30 | QUALITY SYMBOLS ▽=0 ▽C=0 | GENERAL TOLERANCES (UNLESS SPECIFIED) <table border="1"> <thead> <tr> <th></th> <th>mm</th> <th>INCH</th> </tr> </thead> <tbody> <tr> <td>4 PLACES</td> <td>± ---</td> <td>± ---</td> </tr> <tr> <td>3 PLACES</td> <td>± ---</td> <td>± ---</td> </tr> <tr> <td>2 PLACES</td> <td>± 0.20</td> <td>± ---</td> </tr> <tr> <td>1 PLACE</td> <td>± ---</td> <td>± ---</td> </tr> <tr> <td colspan="3">ANGULAR ± 3 °</td> </tr> </tbody> </table> | | mm | INCH | 4 PLACES | ± --- | ± --- | 3 PLACES | ± --- | ± --- | 2 PLACES | ± 0.20 | ± --- | 1 PLACE | ± --- | ± --- | ANGULAR ± 3 ° | | | DIMENSION STYLE MM ONLY | SCALE NTS | DESIGN UNITS METRIC | THIRD ANGLE PROJECTION |
|--|--------------------------------|---|------------------------------|---------------------|------|----------|-------|-------|----------|-------|-------|----------|--------|-------|---------|-------|-------|---------------|--|--|----------------------------|--------------|------------------------|------------------------|
| | | mm | INCH | | | | | | | | | | | | | | | | | | | | | |
| | 4 PLACES | ± --- | ± --- | | | | | | | | | | | | | | | | | | | | | |
| | 3 PLACES | ± --- | ± --- | | | | | | | | | | | | | | | | | | | | | |
| 2 PLACES | ± 0.20 | ± --- | | | | | | | | | | | | | | | | | | | | | | |
| 1 PLACE | ± --- | ± --- | | | | | | | | | | | | | | | | | | | | | | |
| ANGULAR ± 3 ° | | | | | | | | | | | | | | | | | | | | | | | | |
| DRAWN BY YLQ1A0 | DATE 2004/11/17 | TITLE CUSTOM HEADER 2.54MM PITCH, SINGLE ROW SINGLE WAFER, T/H HEADER | | | | | | | | | | | | | | | | | | | | | | |
| CHECKED BY PTL IM | DATE 2004/12/01 | MOLEX INCORPORATED | | | | | | | | | | | | | | | | | | | | | | |
| APPROVED BY SCLOW | DATE 2004/12/06 | MATERIAL NO. SEE TABLE | DOCUMENT NO. SD-87891-013 | SHEET NO. 1 OF 8 | | | | | | | | | | | | | | | | | | | | |

9 8 7 6 5 4 3 2 1

| PACKAGING OPTION PART NO. | | | | | | | | | | PACKAGING OPTION PART NO. | | | | | | | | | | | |
|---------------------------|-------|------------------|----------|---------------|--------------|-----------|------|-------|------|---------------------------|------------|-------|------------------|----------|---------------|--------------|-----------|-------|-------|------|------|
| TRAY | BULK | TUBE WITHOUT CAP | CKT SIZE | VOID POSITION | PLATING TYPE | DIMENSION | | | | | TRAY | BULK | TUBE WITHOUT CAP | CKT SIZE | VOID POSITION | PLATING TYPE | DIMENSION | | | | |
| | | | | | | A | B | F | M | P | | | | | | | A | B | F | M | P |
| 87891-0101 | ----- | ----- | 1 | ----- | 1 | 2.54 | ---- | 11.30 | 5.84 | 2.97 | 87891-0401 | ----- | ----- | 4 | ----- | 1 | 10.16 | 7.62 | 11.30 | 5.84 | 2.97 |
| 87891-0102 | ----- | ----- | 1 | ----- | 2 | 2.54 | ---- | 11.30 | 5.84 | 2.97 | 87891-0412 | ----- | ----- | 4 | ----- | 2 | 10.16 | 7.62 | 11.30 | 5.84 | 2.97 |
| 87891-0103 | ----- | ----- | 1 | ----- | 3 | 2.54 | ---- | 11.30 | 5.84 | 2.97 | 87891-0403 | ----- | ----- | 4 | ----- | 3 | 10.16 | 7.62 | 11.30 | 5.84 | 2.97 |
| 87891-0104 | ----- | ----- | 1 | ----- | 4 | 2.54 | ---- | 11.30 | 5.84 | 2.97 | 87891-0404 | ----- | ----- | 4 | ----- | 4 | 10.16 | 7.62 | 11.30 | 5.84 | 2.97 |
| 87891-0105 | ----- | ----- | 1 | ----- | 5 | 2.54 | ---- | 11.30 | 5.84 | 2.97 | 87891-0405 | ----- | ----- | 4 | ----- | 5 | 10.16 | 7.62 | 11.30 | 5.84 | 2.97 |
| 87891-0106 | ----- | ----- | 1 | ----- | 6 | 2.54 | ---- | 11.30 | 5.84 | 2.97 | 87891-0406 | ----- | ----- | 4 | ----- | 6 | 10.16 | 7.62 | 11.30 | 5.84 | 2.97 |
| 87891-0201 | ----- | ----- | 2 | ----- | 1 | 5.08 | 2.54 | 11.30 | 5.84 | 2.97 | 87891-0511 | ----- | ----- | 5 | ----- | 1 | 12.70 | 10.16 | 11.30 | 5.84 | 2.97 |
| 87891-0202 | ----- | ----- | 2 | ----- | 2 | 5.08 | 2.54 | 11.30 | 5.84 | 2.97 | 87891-0512 | ----- | ----- | 5 | ----- | 2 | 12.70 | 10.16 | 11.30 | 5.84 | 2.97 |
| 87891-0203 | ----- | ----- | 2 | ----- | 3 | 5.08 | 2.54 | 11.30 | 5.84 | 2.97 | 87891-0513 | ----- | ----- | 5 | ----- | 3 | 12.70 | 10.16 | 11.30 | 5.84 | 2.97 |
| 87891-0204 | ----- | ----- | 2 | ----- | 4 | 5.08 | 2.54 | 11.30 | 5.84 | 2.97 | 87891-0514 | ----- | ----- | 5 | ----- | 4 | 12.70 | 10.16 | 11.30 | 5.84 | 2.97 |
| 87891-0205 | ----- | ----- | 2 | ----- | 5 | 5.08 | 2.54 | 11.30 | 5.84 | 2.97 | 87891-0515 | ----- | ----- | 5 | ----- | 5 | 12.70 | 10.16 | 11.30 | 5.84 | 2.97 |
| 87891-0206 | ----- | ----- | 2 | ----- | 6 | 5.08 | 2.54 | 11.30 | 5.84 | 2.97 | 87891-0506 | ----- | ----- | 5 | ----- | 6 | 12.70 | 10.16 | 11.30 | 5.84 | 2.97 |
| 87891-0301 | ----- | ----- | 3 | ----- | 1 | 7.62 | 5.08 | 11.30 | 5.84 | 2.97 | 87891-0601 | ----- | ----- | 6 | ----- | 1 | 15.24 | 12.70 | 11.30 | 5.84 | 2.97 |
| 87891-0302 | ----- | ----- | 3 | ----- | 2 | 7.62 | 5.08 | 11.30 | 5.84 | 2.97 | 87891-0612 | ----- | ----- | 6 | ----- | 2 | 15.24 | 12.70 | 11.30 | 5.84 | 2.97 |
| 87891-0303 | ----- | ----- | 3 | ----- | 3 | 7.62 | 5.08 | 11.30 | 5.84 | 2.97 | 87891-0603 | ----- | ----- | 6 | ----- | 3 | 15.24 | 12.70 | 11.30 | 5.84 | 2.97 |
| 87891-0304 | ----- | ----- | 3 | ----- | 4 | 7.62 | 5.08 | 11.30 | 5.84 | 2.97 | 87891-0604 | ----- | ----- | 6 | ----- | 4 | 15.24 | 12.70 | 11.30 | 5.84 | 2.97 |
| 87891-0305 | ----- | ----- | 3 | ----- | 5 | 7.62 | 5.08 | 11.30 | 5.84 | 2.97 | 87891-0605 | ----- | ----- | 6 | ----- | 5 | 15.24 | 12.70 | 11.30 | 5.84 | 2.97 |
| 87891-0306 | ----- | ----- | 3 | ----- | 6 | 7.62 | 5.08 | 11.30 | 5.84 | 2.97 | 87891-0606 | ----- | ----- | 6 | ----- | 6 | 15.24 | 12.70 | 11.30 | 5.84 | 2.97 |

| EWR# 1023 EC NO: S2007-0289 DRWNS:KLI M01 2006/09/29 CHKD:CWJAM 2006/09/29 APPR:KWLEE 2006/09/30 | QUALITY SYMBOLS =0 =0 | GENERAL TOLERANCES (UNLESS SPECIFIED) <table border="1"> <tr><th></th><th>mm</th><th>INCH</th></tr> <tr><td>4 PLACES</td><td>± ---</td><td>± ---</td></tr> <tr><td>3 PLACES</td><td>± ---</td><td>± ---</td></tr> <tr><td>2 PLACES</td><td>± 0.20</td><td>± ---</td></tr> <tr><td>1 PLACE</td><td>± ---</td><td>± ---</td></tr> </table> | | mm | INCH | 4 PLACES | ± --- | ± --- | 3 PLACES | ± --- | ± --- | 2 PLACES | ± 0.20 | ± --- | 1 PLACE | ± --- | ± --- | DIMENSION STYLE MM ONLY | SCALE NTS | DESIGN UNITS METRIC | THIRD ANGLE PROJECTION |
|---|-----------------------------|---|-------------------------------------|----------------------------|------|----------|-------|-------|----------|-------|-------|----------|--------|-------|---------|-------|-------|-----------------------------------|---------------------|-------------------------------|------------------------|
| | | | mm | INCH | | | | | | | | | | | | | | | | | |
| | | 4 PLACES | ± --- | ± --- | | | | | | | | | | | | | | | | | |
| | | 3 PLACES | ± --- | ± --- | | | | | | | | | | | | | | | | | |
| 2 PLACES | ± 0.20 | ± --- | | | | | | | | | | | | | | | | | | | |
| 1 PLACE | ± --- | ± --- | | | | | | | | | | | | | | | | | | | |
| DRAWN BY YLQ1A0 | DATE 2004/11/17 | TITLE CUSTOM HEADER 2.54MM PITCH, SINGLE ROW SINGLE WAFER, T/H HEADER | | | | | | | | | | | | | | | | | | | |
| CHECKED BY PTL IM | DATE 2004/12/01 | MOLEX INCORPORATED | | | | | | | | | | | | | | | | | | | |
| APPROVED BY SCLOW | DATE 2004/12/06 | MATERIAL NO. SEE TABLE | DOCUMENT NO. SD-87891-013 | SHEET NO. 2 OF 8 | | | | | | | | | | | | | | | | | |

DRAFT WHERE APPLICABLE MUST REMAIN WITHIN DIMENSIONS

SIZE **A3** THIS DRAWING CONTAINS INFORMATION THAT IS PROPRIETARY TO MOLEX INCORPORATED AND SHOULD NOT BE USED WITHOUT WRITTEN PERMISSION

| PACKAGING OPTION PART NO. | | | CKT SIZE | VOID POSITION | PLATING TYPE | DIMENSION | | | | | PACKAGING OPTION PART NO. | | | CKT SIZE | VOID POSITION | PLATING TYPE | DIMENSION | | | | | |
|---------------------------|------------|------------------|----------|---------------|--------------|-----------|-------|-------|-------|------|---------------------------|------------|------------------|----------|---------------|--------------|-----------|-------|-------|-------|------|------|
| TRAY | BULK | TUBE WITHOUT CAP | | | | A | B | F | M | P | TRAY | BULK | TUBE WITHOUT CAP | | | | A | B | F | M | P | |
| F | 87891-0711 | ----- | ----- | 7 | ---- | 1 | 17.78 | 15.24 | 11.30 | 5.84 | 2.97 | 87891-1001 | ----- | ----- | 10 | ---- | 1 | 25.40 | 22.86 | 11.30 | 5.84 | 2.97 |
| | 87891-0702 | ----- | ----- | 7 | ---- | 2 | 17.78 | 15.24 | 11.30 | 5.84 | 2.97 | 87891-1002 | ----- | ----- | 10 | ---- | 2 | 25.40 | 22.86 | 11.30 | 5.84 | 2.97 |
| | 87891-0703 | ----- | ----- | 7 | ---- | 3 | 17.78 | 15.24 | 11.30 | 5.84 | 2.97 | 87891-1003 | ----- | ----- | 10 | ---- | 3 | 25.40 | 22.86 | 11.30 | 5.84 | 2.97 |
| | 87891-0704 | ----- | ----- | 7 | ---- | 4 | 17.78 | 15.24 | 11.30 | 5.84 | 2.97 | 87891-1004 | ----- | ----- | 10 | ---- | 4 | 25.40 | 22.86 | 11.30 | 5.84 | 2.97 |
| | 87891-0705 | ----- | ----- | 7 | ---- | 5 | 17.78 | 15.24 | 11.30 | 5.84 | 2.97 | 87891-1005 | ----- | ----- | 10 | ---- | 5 | 25.40 | 22.86 | 11.30 | 5.84 | 2.97 |
| | 87891-0706 | ----- | ----- | 7 | ---- | 6 | 17.78 | 15.24 | 11.30 | 5.84 | 2.97 | 87891-1006 | ----- | ----- | 10 | ---- | 6 | 25.40 | 22.86 | 11.30 | 5.84 | 2.97 |
| E | | | | | | | | | | | | | | | | | | | | | | |
| | 87891-0801 | ----- | ----- | 8 | ---- | 1 | 20.32 | 17.78 | 11.30 | 5.84 | 2.97 | 87891-1101 | ----- | ----- | 11 | ---- | 1 | 27.94 | 25.40 | 11.30 | 5.84 | 2.97 |
| | 87891-0802 | ----- | ----- | 8 | ---- | 2 | 20.32 | 17.78 | 11.30 | 5.84 | 2.97 | 87891-1102 | ----- | ----- | 11 | ---- | 2 | 27.94 | 25.40 | 11.30 | 5.84 | 2.97 |
| | 87891-0803 | ----- | ----- | 8 | ---- | 3 | 20.32 | 17.78 | 11.30 | 5.84 | 2.97 | 87891-1103 | ----- | ----- | 11 | ---- | 3 | 27.94 | 25.40 | 11.30 | 5.84 | 2.97 |
| | 87891-0804 | ----- | ----- | 8 | ---- | 4 | 20.32 | 17.78 | 11.30 | 5.84 | 2.97 | 87891-1104 | ----- | ----- | 11 | ---- | 4 | 27.94 | 25.40 | 11.30 | 5.84 | 2.97 |
| D | 87891-0805 | ----- | ----- | 8 | ---- | 5 | 20.32 | 17.78 | 11.30 | 5.84 | 2.97 | 87891-1105 | ----- | ----- | 11 | ---- | 5 | 27.94 | 25.40 | 11.30 | 5.84 | 2.97 |
| | 87891-0806 | ----- | ----- | 8 | ---- | 6 | 20.32 | 17.78 | 11.30 | 5.84 | 2.97 | 87891-1106 | ----- | ----- | 11 | ---- | 6 | 27.94 | 25.40 | 11.30 | 5.84 | 2.97 |
| | | | | | | | | | | | | | | | | | | | | | | |
| | 87891-0901 | ----- | ----- | 9 | ---- | 1 | 22.86 | 20.32 | 11.30 | 5.84 | 2.97 | 87891-1201 | ----- | ----- | 12 | ---- | 1 | 30.48 | 27.94 | 11.30 | 5.84 | 2.97 |
| | 87891-0902 | ----- | ----- | 9 | ---- | 2 | 22.86 | 20.32 | 11.30 | 5.84 | 2.97 | 87891-1202 | ----- | ----- | 12 | ---- | 2 | 30.48 | 27.94 | 11.30 | 5.84 | 2.97 |
| C | 87891-0903 | ----- | ----- | 9 | ---- | 3 | 22.86 | 20.32 | 11.30 | 5.84 | 2.97 | 87891-1203 | ----- | ----- | 12 | ---- | 3 | 30.48 | 27.94 | 11.30 | 5.84 | 2.97 |
| | 87891-0904 | ----- | ----- | 9 | ---- | 4 | 22.86 | 20.32 | 11.30 | 5.84 | 2.97 | 87891-1204 | ----- | ----- | 12 | ---- | 4 | 30.48 | 27.94 | 11.30 | 5.84 | 2.97 |
| | 87891-0905 | ----- | ----- | 9 | ---- | 5 | 22.86 | 20.32 | 11.30 | 5.84 | 2.97 | 87891-1205 | ----- | ----- | 12 | ---- | 5 | 30.48 | 27.94 | 11.30 | 5.84 | 2.97 |
| | 87891-0906 | ----- | ----- | 9 | ---- | 6 | 22.86 | 20.32 | 11.30 | 5.84 | 2.97 | 87891-1206 | ----- | ----- | 12 | ---- | 6 | 30.48 | 27.94 | 11.30 | 5.84 | 2.97 |
| B | | | | | | | | | | | | | | | | | | | | | | |

| | | | | | | | | | | | |
|---|-----------------------------|--|--------------|-----------------------------------|--------------------|---|-------------------------------------|----------------------------|--|--|--|
| EWR# 1023 EC NO: S2007-0289 DRWNS:KLI M01 2006/09/29 CHKD:CWJAM 2006/09/29 APPR:KWLEE 2006/09/30 | QUALITY SYMBOLS =0 =0 | GENERAL TOLERANCES (UNLESS SPECIFIED) | | DIMENSION STYLE MM ONLY | | SCALE NTS | DESIGN UNITS METRIC | THIRD ANGLE PROJECTION | | | |
| | | 4 PLACES ± --- ± --- 3 PLACES ± --- ± --- 2 PLACES ± 0.20 ± --- 1 PLACE ± --- ± --- | mm INCH | DRAWN BY YLQ1A0 | DATE 2004/11/17 | TITLE CUSTOM HEADER 2.54MM PITCH, SINGLE ROW SINGLE WAFER, T/H HEADER | | | | | |
| | | ANGULAR ± 3 ° | | CHECKED BY PTL IM | DATE 2004/12/01 | MOLEX INCORPORATED | | | | | |
| | | DRAFT WHERE APPLICABLE MUST REMAIN WITHIN DIMENSIONS | | APPROVED BY SCLOW | DATE 2004/12/06 | MATERIAL NO. SEE TABLE | DOCUMENT NO. SD-87891-013 | SHEET NO. 3 OF 8 | | | |

| PACKAGING OPTION PART NO. | | | | | | | | | | PACKAGING OPTION PART NO. | | | | | | | | | | | |
|---------------------------|-------|------------------|----------|---------------|--------------|-----------|-------|-------|------|---------------------------|------------|-------|------------------|----------|---------------|--------------|-----------|-------|-------|------|------|
| TRAY | BULK | TUBE WITHOUT CAP | CKT SIZE | VOID POSITION | PLATING TYPE | DIMENSION | | | | | TRAY | BULK | TUBE WITHOUT CAP | CKT SIZE | VOID POSITION | PLATING TYPE | DIMENSION | | | | |
| | | | | | | A | B | F | M | P | | | | | | | A | B | F | M | P |
| 87891-1301 | ----- | ----- | 13 | ----- | 1 | 33.02 | 30.48 | 11.30 | 5.84 | 2.97 | 87891-1601 | ----- | ----- | 16 | ----- | 1 | 40.64 | 38.10 | 11.30 | 5.84 | 2.97 |
| 87891-1302 | ----- | ----- | 13 | ----- | 2 | 33.02 | 30.48 | 11.30 | 5.84 | 2.97 | 87891-1602 | ----- | ----- | 16 | ----- | 2 | 40.64 | 38.10 | 11.30 | 5.84 | 2.97 |
| 87891-1303 | ----- | ----- | 13 | ----- | 3 | 33.02 | 30.48 | 11.30 | 5.84 | 2.97 | 87891-1603 | ----- | ----- | 16 | ----- | 3 | 40.64 | 38.10 | 11.30 | 5.84 | 2.97 |
| 87891-1304 | ----- | ----- | 13 | ----- | 4 | 33.02 | 30.48 | 11.30 | 5.84 | 2.97 | 87891-1604 | ----- | ----- | 16 | ----- | 4 | 40.64 | 38.10 | 11.30 | 5.84 | 2.97 |
| 87891-1305 | ----- | ----- | 13 | ----- | 5 | 33.02 | 30.48 | 11.30 | 5.84 | 2.97 | 87891-1605 | ----- | ----- | 16 | ----- | 5 | 40.64 | 38.10 | 11.30 | 5.84 | 2.97 |
| 87891-1306 | ----- | ----- | 13 | ----- | 6 | 33.02 | 30.48 | 11.30 | 5.84 | 2.97 | 87891-1606 | ----- | ----- | 16 | ----- | 6 | 40.64 | 38.10 | 11.30 | 5.84 | 2.97 |
| 87891-1401 | ----- | ----- | 14 | ----- | 1 | 35.56 | 33.02 | 11.30 | 5.84 | 2.97 | 87891-1701 | ----- | ----- | 17 | ----- | 1 | 43.18 | 40.64 | 11.30 | 5.84 | 2.97 |
| 87891-1402 | ----- | ----- | 14 | ----- | 2 | 35.56 | 33.02 | 11.30 | 5.84 | 2.97 | 87891-1702 | ----- | ----- | 17 | ----- | 2 | 43.18 | 40.64 | 11.30 | 5.84 | 2.97 |
| 87891-1403 | ----- | ----- | 14 | ----- | 3 | 35.56 | 33.02 | 11.30 | 5.84 | 2.97 | 87891-1703 | ----- | ----- | 17 | ----- | 3 | 43.18 | 40.64 | 11.30 | 5.84 | 2.97 |
| 87891-1404 | ----- | ----- | 14 | ----- | 4 | 35.56 | 33.02 | 11.30 | 5.84 | 2.97 | 87891-1704 | ----- | ----- | 17 | ----- | 4 | 43.18 | 40.64 | 11.30 | 5.84 | 2.97 |
| 87891-1405 | ----- | ----- | 14 | ----- | 5 | 35.56 | 33.02 | 11.30 | 5.84 | 2.97 | 87891-1705 | ----- | ----- | 17 | ----- | 5 | 43.18 | 40.64 | 11.30 | 5.84 | 2.97 |
| 87891-1406 | ----- | ----- | 14 | ----- | 6 | 35.56 | 33.02 | 11.30 | 5.84 | 2.97 | 87891-1706 | ----- | ----- | 17 | ----- | 6 | 43.18 | 40.64 | 11.30 | 5.84 | 2.97 |
| 87891-1501 | ----- | ----- | 15 | ----- | 1 | 38.10 | 35.56 | 11.30 | 5.84 | 2.97 | 87891-1801 | ----- | ----- | 18 | ----- | 1 | 45.72 | 43.18 | 11.30 | 5.84 | 2.97 |
| 87891-1502 | ----- | ----- | 15 | ----- | 2 | 38.10 | 35.56 | 11.30 | 5.84 | 2.97 | 87891-1802 | ----- | ----- | 18 | ----- | 2 | 45.72 | 43.18 | 11.30 | 5.84 | 2.97 |
| 87891-1503 | ----- | ----- | 15 | ----- | 3 | 38.10 | 35.56 | 11.30 | 5.84 | 2.97 | 87891-1803 | ----- | ----- | 18 | ----- | 3 | 45.72 | 43.18 | 11.30 | 5.84 | 2.97 |
| 87891-1504 | ----- | ----- | 15 | ----- | 4 | 38.10 | 35.56 | 11.30 | 5.84 | 2.97 | 87891-1804 | ----- | ----- | 18 | ----- | 4 | 45.72 | 43.18 | 11.30 | 5.84 | 2.97 |
| 87891-1505 | ----- | ----- | 15 | ----- | 5 | 38.10 | 35.56 | 11.30 | 5.84 | 2.97 | 87891-1805 | ----- | ----- | 18 | ----- | 5 | 45.72 | 43.18 | 11.30 | 5.84 | 2.97 |
| 87891-1506 | ----- | ----- | 15 | ----- | 6 | 38.10 | 35.56 | 11.30 | 5.84 | 2.97 | 87891-1806 | ----- | ----- | 18 | ----- | 6 | 45.72 | 43.18 | 11.30 | 5.84 | 2.97 |

| QUALITY SYMBOLS =0 =0 | GENERAL TOLERANCES (UNLESS SPECIFIED) <table border="1"> <tr><th colspan="2">mm</th><th colspan="2">INCH</th></tr> <tr><td>4 PLACES</td><td>± ---</td><td>± ---</td><td>± ---</td></tr> <tr><td>3 PLACES</td><td>± ---</td><td>± ---</td><td>± ---</td></tr> <tr><td>2 PLACES</td><td>± 0.20</td><td>± ---</td><td>± ---</td></tr> <tr><td>1 PLACE</td><td>± ---</td><td>± ---</td><td>± ---</td></tr> </table> | mm | | INCH | | 4 PLACES | ± --- | ± --- | ± --- | 3 PLACES | ± --- | ± --- | ± --- | 2 PLACES | ± 0.20 | ± --- | ± --- | 1 PLACE | ± --- | ± --- | ± --- | DIMENSION STYLE MM ONLY | SCALE NTS | DESIGN UNITS METRIC | THIRD ANGLE PROJECTION | DESCRIPTION EWR# 1023 EC NO: S2007-0289 DRWNS:KLI M01 2006/09/29 CHKD:CWJAM 2006/09/29 APPR:KWLEE 2006/09/30 | DRAWN BY YLQIAO DATE 2004/11/17 CHECKED BY PTL IM DATE 2004/12/01 APPROVED BY SCLOW DATE 2004/12/06 | TITLE CUSTOM HEADER 2.54MM PITCH, SINGLE ROW SINGLE WAFER, T/H HEADER | MOLEX INCORPORATED | MATERIAL NO. SD-87891-013 | SHEET NO. 4 OF 8 |
|--|---|--------------|--------------|-----------|-------|----------|-------|-------|-------|----------|-------|-------|-------|----------|--------|-------|-------|---------|-------|-------|-------|-----------------------------------|---------------------|-------------------------------|------------------------|--|---|---|---------------------------|-------------------------------------|----------------------------|
| | | mm | | INCH | | | | | | | | | | | | | | | | | | | | | | | | | | | |
| | | 4 PLACES | ± --- | ± --- | ± --- | | | | | | | | | | | | | | | | | | | | | | | | | | |
| | | 3 PLACES | ± --- | ± --- | ± --- | | | | | | | | | | | | | | | | | | | | | | | | | | |
| 2 PLACES | ± 0.20 | ± --- | ± --- | | | | | | | | | | | | | | | | | | | | | | | | | | | | |
| 1 PLACE | ± --- | ± --- | ± --- | | | | | | | | | | | | | | | | | | | | | | | | | | | | |
| DRAFT WHERE APPLICABLE MUST REMAIN WITHIN DIMENSIONS | SEE TABLE | MOLEX | DOCUMENT NO. | SHEET NO. | | | | | | | | | | | | | | | | | | | | | | | | | | | |
| SIZE | THIS DRAWING CONTAINS INFORMATION THAT IS PROPRIETARY TO MOLEX INCORPORATED AND SHOULD NOT BE USED WITHOUT WRITTEN PERMISSION | | | | | | | | | | | | | | | | | | | | | | | | | | | | | | |
| | | | | | | | | | | | | | | | | | | | | | | | | | | | | | | | |

| PACKAGING OPTION PART NO. | | CKT SIZE | VOID POSITION | PLATING TYPE | DIMENSION | | | | | PACKAGING OPTION PART NO. | | CKT SIZE | VOID POSITION | PLATING TYPE | DIMENSION | | | | | | | | |
|---------------------------|------------|----------|---------------|--------------|------------------|---|-------|-------|-------|---------------------------|------|------------|---------------|--------------|-----------|------------------|---|-------|-------|-------|------|------|---|
| TRAY | BULK | | | | TUBE WITHOUT CAP | A | B | F | M | P | TRAY | | | | BULK | TUBE WITHOUT CAP | A | B | F | M | P | | |
| F | 87891-1901 | ----- | ----- | 19 | ---- | 1 | 48.26 | 45.72 | 11.30 | 5.84 | 2.97 | 87891-2201 | ----- | ----- | 22 | ---- | 1 | 55.88 | 53.34 | 11.30 | 5.84 | 2.97 | F |
| | 87891-1902 | ----- | ----- | 19 | ---- | 2 | 48.26 | 45.72 | 11.30 | 5.84 | 2.97 | 87891-2202 | ----- | ----- | 22 | ---- | 2 | 55.88 | 53.34 | 11.30 | 5.84 | 2.97 | |
| | 87891-1903 | ----- | ----- | 19 | ---- | 3 | 48.26 | 45.72 | 11.30 | 5.84 | 2.97 | 87891-2203 | ----- | ----- | 22 | ---- | 3 | 55.88 | 53.34 | 11.30 | 5.84 | 2.97 | |
| | 87891-1904 | ----- | ----- | 19 | ---- | 4 | 48.26 | 45.72 | 11.30 | 5.84 | 2.97 | 87891-2204 | ----- | ----- | 22 | ---- | 4 | 55.88 | 53.34 | 11.30 | 5.84 | 2.97 | |
| | 87891-1905 | ----- | ----- | 19 | ---- | 5 | 48.26 | 45.72 | 11.30 | 5.84 | 2.97 | 87891-2205 | ----- | ----- | 22 | ---- | 5 | 55.88 | 53.34 | 11.30 | 5.84 | 2.97 | |
| | 87891-1906 | ----- | ----- | 19 | ---- | 6 | 48.26 | 45.72 | 11.30 | 5.84 | 2.97 | 87891-2206 | ----- | ----- | 22 | ---- | 6 | 55.88 | 53.34 | 11.30 | 5.84 | 2.97 | |
| E | | | | | | | | | | | | | | | | | | | | | | | E |
| | 87891-2001 | ----- | ----- | 20 | ---- | 1 | 50.80 | 48.26 | 11.30 | 5.84 | 2.97 | 87891-2301 | ----- | ----- | 23 | ---- | 1 | 58.42 | 55.88 | 11.30 | 5.84 | 2.97 | |
| | 87891-2002 | ----- | ----- | 20 | ---- | 2 | 50.80 | 48.26 | 11.30 | 5.84 | 2.97 | 87891-2302 | ----- | ----- | 23 | ---- | 2 | 58.42 | 55.88 | 11.30 | 5.84 | 2.97 | |
| | 87891-2003 | ----- | ----- | 20 | ---- | 3 | 50.80 | 48.26 | 11.30 | 5.84 | 2.97 | 87891-2303 | ----- | ----- | 23 | ---- | 3 | 58.42 | 55.88 | 11.30 | 5.84 | 2.97 | |
| | 87891-2004 | ----- | ----- | 20 | ---- | 4 | 50.80 | 48.26 | 11.30 | 5.84 | 2.97 | 87891-2304 | ----- | ----- | 23 | ---- | 4 | 58.42 | 55.88 | 11.30 | 5.84 | 2.97 | |
| D | 87891-2005 | ----- | ----- | 20 | ---- | 5 | 50.80 | 48.26 | 11.30 | 5.84 | 2.97 | 87891-2305 | ----- | ----- | 23 | ---- | 5 | 58.42 | 55.88 | 11.30 | 5.84 | 2.97 | D |
| | 87891-2006 | ----- | ----- | 20 | ---- | 6 | 50.80 | 48.26 | 11.30 | 5.84 | 2.97 | 87891-2306 | ----- | ----- | 23 | ---- | 6 | 58.42 | 55.88 | 11.30 | 5.84 | 2.97 | |
| | | | | | | | | | | | | | | | | | | | | | | | |
| | 87891-2101 | ----- | ----- | 21 | ---- | 1 | 53.34 | 50.80 | 11.30 | 5.84 | 2.97 | 87891-2401 | ----- | ----- | 24 | ---- | 1 | 60.96 | 58.42 | 11.30 | 5.84 | 2.97 | |
| | 87891-2102 | ----- | ----- | 21 | ---- | 2 | 53.34 | 50.80 | 11.30 | 5.84 | 2.97 | 87891-2402 | ----- | ----- | 24 | ---- | 2 | 60.96 | 58.42 | 11.30 | 5.84 | 2.97 | |
| C | 87891-2103 | ----- | ----- | 21 | ---- | 3 | 53.34 | 50.80 | 11.30 | 5.84 | 2.97 | 87891-2403 | ----- | ----- | 24 | ---- | 3 | 60.96 | 58.42 | 11.30 | 5.84 | 2.97 | C |
| | 87891-2104 | ----- | ----- | 21 | ---- | 4 | 53.34 | 50.80 | 11.30 | 5.84 | 2.97 | 87891-2404 | ----- | ----- | 24 | ---- | 4 | 60.96 | 58.42 | 11.30 | 5.84 | 2.97 | |
| | 87891-2105 | ----- | ----- | 21 | ---- | 5 | 53.34 | 50.80 | 11.30 | 5.84 | 2.97 | 87891-2405 | ----- | ----- | 24 | ---- | 5 | 60.96 | 58.42 | 11.30 | 5.84 | 2.97 | |
| | 87891-2106 | ----- | ----- | 21 | ---- | 6 | 53.34 | 50.80 | 11.30 | 5.84 | 2.97 | 87891-2406 | ----- | ----- | 24 | ---- | 6 | 60.96 | 58.42 | 11.30 | 5.84 | 2.97 | |
| B | | | | | | | | | | | | | | | | | | | | | | | B |

| | | | | | | | | | | | |
|---|-----------------------------|--|--------------|-----------------------------------|--------------------|---|-------------------------------------|----------------------------|--|--|--|
| EWB# 1023 EC NO: S2007-0289 DRWNS:KLI M01 2006/09/29 CHKD:CWJAM 2006/09/29 APPR:KWLEE 2006/09/30 | QUALITY SYMBOLS =0 =0 | GENERAL TOLERANCES (UNLESS SPECIFIED) | | DIMENSION STYLE MM ONLY | | SCALE NTS | DESIGN UNITS METRIC | THIRD ANGLE PROJECTION | | | |
| | | 4 PLACES ± --- ± --- 3 PLACES ± --- ± --- 2 PLACES ± 0.20 ± --- 1 PLACE ± --- ± --- | mm INCH | DRAWN BY YLQ1A0 | DATE 2004/11/17 | TITLE CUSTOM HEADER 2.54MM PITCH, SINGLE ROW SINGLE WAFER, T/H HEADER | | | | | |
| | | ANGULAR ± 3 ° | | CHECKED BY PTL IM | DATE 2004/12/01 | MOLEX INCORPORATED | | | | | |
| | | DRAFT WHERE APPLICABLE MUST REMAIN WITHIN DIMENSIONS | | APPROVED BY SCLOW | DATE 2004/12/06 | MATERIAL NO. SEE TABLE | DOCUMENT NO. SD-87891-013 | SHEET NO. 5 OF 8 | | | |

| PACKAGING OPTION PART NO. | | | | | | | | | | PACKAGING OPTION PART NO. | | | | | | | | | | | | |
|---------------------------|------------|------------------|----------|---------------|--------------|-----------|-------|-------|-------|---------------------------|------|-------|------------------|----------|---------------|--------------|-----------|-------|-------|-------|------|------|
| TRAY | BULK | TUBE WITHOUT CAP | CKT SIZE | VOID POSITION | PLATING TYPE | DIMENSION | | | | | TRAY | BULK | TUBE WITHOUT CAP | CKT SIZE | VOID POSITION | PLATING TYPE | DIMENSION | | | | | |
| | | | | | | A | B | F | M | P | | | | | | | A | B | F | M | P | |
| F | 87891-2501 | ----- | ----- | 25 | ---- | 1 | 63.50 | 60.96 | 11.30 | 5.84 | 2.97 | ----- | 87891-2801 | ----- | 28 | ---- | 1 | 71.12 | 68.58 | 11.30 | 5.84 | 2.97 |
| | 87891-2502 | ----- | ----- | 25 | ---- | 2 | 63.50 | 60.96 | 11.30 | 5.84 | 2.97 | ----- | 87891-2802 | ----- | 28 | ---- | 2 | 71.12 | 68.58 | 11.30 | 5.84 | 2.97 |
| | 87891-2503 | ----- | ----- | 25 | ---- | 3 | 63.50 | 60.96 | 11.30 | 5.84 | 2.97 | ----- | 87891-2803 | ----- | 28 | ---- | 3 | 71.12 | 68.58 | 11.30 | 5.84 | 2.97 |
| | 87891-2504 | ----- | ----- | 25 | ---- | 4 | 63.50 | 60.96 | 11.30 | 5.84 | 2.97 | ----- | 87891-2804 | ----- | 28 | ---- | 4 | 71.12 | 68.58 | 11.30 | 5.84 | 2.97 |
| | 87891-2505 | ----- | ----- | 25 | ---- | 5 | 63.50 | 60.96 | 11.30 | 5.84 | 2.97 | ----- | 87891-2805 | ----- | 28 | ---- | 5 | 71.12 | 68.58 | 11.30 | 5.84 | 2.97 |
| | 87891-2506 | ----- | ----- | 25 | ---- | 6 | 63.50 | 60.96 | 11.30 | 5.84 | 2.97 | ----- | 87891-2806 | ----- | 28 | ---- | 6 | 71.12 | 68.58 | 11.30 | 5.84 | 2.97 |
| E | | | | | | | | | | | | | | | | | | | | | | |
| | ----- | 87891-2611 | ----- | 26 | ---- | 1 | 66.04 | 63.50 | 11.30 | 5.84 | 2.97 | ----- | 87891-2901 | ----- | 29 | ---- | 1 | 73.66 | 71.12 | 11.30 | 5.84 | 2.97 |
| | ----- | 87891-2602 | ----- | 26 | ---- | 2 | 66.04 | 63.50 | 11.30 | 5.84 | 2.97 | ----- | 87891-2902 | ----- | 29 | ---- | 2 | 73.66 | 71.12 | 11.30 | 5.84 | 2.97 |
| | ----- | 87891-2603 | ----- | 26 | ---- | 3 | 66.04 | 63.50 | 11.30 | 5.84 | 2.97 | ----- | 87891-2903 | ----- | 29 | ---- | 3 | 73.66 | 71.12 | 11.30 | 5.84 | 2.97 |
| | ----- | 87891-2604 | ----- | 26 | ---- | 4 | 66.04 | 63.50 | 11.30 | 5.84 | 2.97 | ----- | 87891-2904 | ----- | 29 | ---- | 4 | 73.66 | 71.12 | 11.30 | 5.84 | 2.97 |
| D | ----- | 87891-2605 | ----- | 26 | ---- | 5 | 66.04 | 63.50 | 11.30 | 5.84 | 2.97 | ----- | 87891-2905 | ----- | 29 | ---- | 5 | 73.66 | 71.12 | 11.30 | 5.84 | 2.97 |
| | ----- | 87891-2606 | ----- | 26 | ---- | 6 | 66.04 | 63.50 | 11.30 | 5.84 | 2.97 | ----- | 87891-2906 | ----- | 29 | ---- | 6 | 73.66 | 71.12 | 11.30 | 5.84 | 2.97 |
| | | | | | | | | | | | | | | | | | | | | | | |
| | ----- | 87891-2701 | ----- | 27 | ---- | 1 | 68.58 | 66.04 | 11.30 | 5.84 | 2.97 | ----- | 87891-3001 | ----- | 30 | ---- | 1 | 76.20 | 73.66 | 11.30 | 5.84 | 2.97 |
| | ----- | 87891-2702 | ----- | 27 | ---- | 2 | 68.58 | 66.04 | 11.30 | 5.84 | 2.97 | ----- | 87891-3002 | ----- | 30 | ---- | 2 | 76.20 | 73.66 | 11.30 | 5.84 | 2.97 |
| C | ----- | 87891-2703 | ----- | 27 | ---- | 3 | 68.58 | 66.04 | 11.30 | 5.84 | 2.97 | ----- | 87891-3003 | ----- | 30 | ---- | 3 | 76.20 | 73.66 | 11.30 | 5.84 | 2.97 |
| | ----- | 87891-2704 | ----- | 27 | ---- | 4 | 68.58 | 66.04 | 11.30 | 5.84 | 2.97 | ----- | 87891-3004 | ----- | 30 | ---- | 4 | 76.20 | 73.66 | 11.30 | 5.84 | 2.97 |
| | ----- | 87891-2705 | ----- | 27 | ---- | 5 | 68.58 | 66.04 | 11.30 | 5.84 | 2.97 | ----- | 87891-3005 | ----- | 30 | ---- | 5 | 76.20 | 73.66 | 11.30 | 5.84 | 2.97 |
| | ----- | 87891-2706 | ----- | 27 | ---- | 6 | 68.58 | 66.04 | 11.30 | 5.84 | 2.97 | ----- | 87891-3006 | ----- | 30 | ---- | 6 | 76.20 | 73.66 | 11.30 | 5.84 | 2.97 |
| B | | | | | | | | | | | | | | | | | | | | | | |

| | | | | | | | | | | | |
|---|-----------------------------|--|--|-----------------------------------|--|--------------------|------------------------|---|--|------------------------------|--|
| EWR# 1023 EC NO: S2007-0289 DRWNS:KLI M01 2006/09/29 CHKD:CWJAM 2006/09/29 APPR:KWLEE 2006/09/30 | QUALITY SYMBOLS =0 =0 | GENERAL TOLERANCES (UNLESS SPECIFIED) | | DIMENSION STYLE MM ONLY | | SCALE NTS | DESIGN UNITS METRIC | THIRD ANGLE PROJECTION | | | |
| | | 4 PLACES ± --- ± --- 3 PLACES ± --- ± --- 2 PLACES ± 0.20 ± --- 1 PLACE ± --- ± --- | | DRAWN BY YLQ1A0 | | DATE 2004/11/17 | | TITLE CUSTOM HEADER 2.54MM PITCH, SINGLE ROW SINGLE WAFER, T/H HEADER | | | |
| | | ANGULAR ± 3 ° | | CHECKED BY PTL IM | | DATE 2004/12/01 | | MOLEX INCORPORATED | | | |
| | | DRAFT WHERE APPLICABLE MUST REMAIN WITHIN DIMENSIONS | | APPROVED BY SCLOW | | DATE 2004/12/06 | | MATERIAL NO. SEE TABLE | | DOCUMENT NO. SD-87891-013 | |

| PACKAGING OPTION PART NO. | | | | | | | | | | PACKAGING OPTION PART NO. | | | | | | | | | | | |
|---------------------------|------------|------------------|----------|---------------|--------------|-----------|-------|-------|------|---------------------------|-------|------------|------------------|----------|---------------|--------------|-----------|-------|-------|------|------|
| TRAY | BULK | TUBE WITHOUT CAP | CKT SIZE | VOID POSITION | PLATING TYPE | DIMENSION | | | | | TRAY | BULK | TUBE WITHOUT CAP | CKT SIZE | VOID POSITION | PLATING TYPE | DIMENSION | | | | |
| | | | | | | A | B | F | M | P | | | | | | | A | B | F | M | P |
| ----- | 87891-3101 | ----- | 31 | ----- | 1 | 78.74 | 76.20 | 11.30 | 5.84 | 2.97 | ----- | 87891-3401 | ----- | 34 | ----- | 1 | 86.36 | 83.82 | 11.30 | 5.84 | 2.97 |
| ----- | 87891-3102 | ----- | 31 | ----- | 2 | 78.74 | 76.20 | 11.30 | 5.84 | 2.97 | ----- | 87891-3402 | ----- | 34 | ----- | 2 | 86.36 | 83.82 | 11.30 | 5.84 | 2.97 |
| ----- | 87891-3103 | ----- | 31 | ----- | 3 | 78.74 | 76.20 | 11.30 | 5.84 | 2.97 | ----- | 87891-3403 | ----- | 34 | ----- | 3 | 86.36 | 83.82 | 11.30 | 5.84 | 2.97 |
| ----- | 87891-3104 | ----- | 31 | ----- | 4 | 78.74 | 76.20 | 11.30 | 5.84 | 2.97 | ----- | 87891-3404 | ----- | 34 | ----- | 4 | 86.36 | 83.82 | 11.30 | 5.84 | 2.97 |
| ----- | 87891-3105 | ----- | 31 | ----- | 5 | 78.74 | 76.20 | 11.30 | 5.84 | 2.97 | ----- | 87891-3405 | ----- | 34 | ----- | 5 | 86.36 | 83.82 | 11.30 | 5.84 | 2.97 |
| ----- | 87891-3106 | ----- | 31 | ----- | 6 | 78.74 | 76.20 | 11.30 | 5.84 | 2.97 | ----- | 87891-3406 | ----- | 34 | ----- | 6 | 86.36 | 83.82 | 11.30 | 5.84 | 2.97 |
| ----- | | ----- | | ----- | | | | | | | ----- | | ----- | | ----- | | | | | | |
| ----- | 87891-3201 | ----- | 32 | ----- | 1 | 81.28 | 78.74 | 11.30 | 5.84 | 2.97 | ----- | 87891-3501 | ----- | 35 | ----- | 1 | 88.90 | 86.36 | 11.30 | 5.84 | 2.97 |
| ----- | 87891-3202 | ----- | 32 | ----- | 2 | 81.28 | 78.74 | 11.30 | 5.84 | 2.97 | ----- | 87891-3502 | ----- | 35 | ----- | 2 | 88.90 | 86.36 | 11.30 | 5.84 | 2.97 |
| ----- | 87891-3203 | ----- | 32 | ----- | 3 | 81.28 | 78.74 | 11.30 | 5.84 | 2.97 | ----- | 87891-3503 | ----- | 35 | ----- | 3 | 88.90 | 86.36 | 11.30 | 5.84 | 2.97 |
| ----- | 87891-3204 | ----- | 32 | ----- | 4 | 81.28 | 78.74 | 11.30 | 5.84 | 2.97 | ----- | 87891-3504 | ----- | 35 | ----- | 4 | 88.90 | 86.36 | 11.30 | 5.84 | 2.97 |
| ----- | 87891-3205 | ----- | 32 | ----- | 5 | 81.28 | 78.74 | 11.30 | 5.84 | 2.97 | ----- | 87891-3505 | ----- | 35 | ----- | 5 | 88.90 | 86.36 | 11.30 | 5.84 | 2.97 |
| ----- | 87891-3206 | ----- | 32 | ----- | 6 | 81.28 | 78.74 | 11.30 | 5.84 | 2.97 | ----- | 87891-3506 | ----- | 35 | ----- | 6 | 88.90 | 86.36 | 11.30 | 5.84 | 2.97 |
| ----- | | ----- | | ----- | | | | | | | ----- | | ----- | | ----- | | | | | | |
| ----- | 87891-3301 | ----- | 33 | ----- | 1 | 83.82 | 81.28 | 11.30 | 5.84 | 2.97 | ----- | 87891-3611 | ----- | 36 | ----- | 1 | 91.44 | 88.90 | 11.30 | 5.84 | 2.97 |
| ----- | 87891-3302 | ----- | 33 | ----- | 2 | 83.82 | 81.28 | 11.30 | 5.84 | 2.97 | ----- | 87891-3602 | ----- | 36 | ----- | 2 | 91.44 | 88.90 | 11.30 | 5.84 | 2.97 |
| ----- | 87891-3303 | ----- | 33 | ----- | 3 | 83.82 | 81.28 | 11.30 | 5.84 | 2.97 | ----- | 87891-3603 | ----- | 36 | ----- | 3 | 91.44 | 88.90 | 11.30 | 5.84 | 2.97 |
| ----- | 87891-3304 | ----- | 33 | ----- | 4 | 83.82 | 81.28 | 11.30 | 5.84 | 2.97 | ----- | 87891-3604 | ----- | 36 | ----- | 4 | 91.44 | 88.90 | 11.30 | 5.84 | 2.97 |
| ----- | 87891-3305 | ----- | 33 | ----- | 5 | 83.82 | 81.28 | 11.30 | 5.84 | 2.97 | ----- | 87891-3605 | ----- | 36 | ----- | 5 | 91.44 | 88.90 | 11.30 | 5.84 | 2.97 |
| ----- | 87891-3306 | ----- | 33 | ----- | 6 | 83.82 | 81.28 | 11.30 | 5.84 | 2.97 | ----- | 87891-3606 | ----- | 36 | ----- | 6 | 91.44 | 88.90 | 11.30 | 5.84 | 2.97 |
| ----- | | ----- | | ----- | | | | | | | ----- | | ----- | | ----- | | | | | | |
| ----- | | ----- | | ----- | | | | | | | ----- | | ----- | | ----- | | | | | | |
| ----- | | ----- | | ----- | | | | | | | ----- | | ----- | | ----- | | | | | | |

| | | | | | | | | | | | |
|---|-----------------------------|--|--------------|-----------------------------------|--------------------|---|-------------------------------------|----------------------------|--|--|--|
| EWB# 1023 EC NO: S2007-0289 DRWNS:KLI M01 2006/09/29 CHKD:CWJAM 2006/09/29 APPR:KWLEE 2006/09/30 | QUALITY SYMBOLS =0 =0 | GENERAL TOLERANCES (UNLESS SPECIFIED) | | DIMENSION STYLE MM ONLY | | SCALE NTS | DESIGN UNITS METRIC | THIRD ANGLE PROJECTION | | | |
| | | 4 PLACES ± --- ± --- 3 PLACES ± --- ± --- 2 PLACES ± 0.20 ± --- 1 PLACE ± --- ± --- | mm INCH | DRAWN BY YLQIAO | DATE 2004/11/17 | TITLE CUSTOM HEADER 2.54MM PITCH, SINGLE ROW SINGLE WAFER, T/H HEADER | | | | | |
| | | ANGULAR ± 3 ° | | CHECKED BY PTL IM | DATE 2004/12/01 | MOLEX INCORPORATED | | | | | |
| | | DRAFT WHERE APPLICABLE MUST REMAIN WITHIN DIMENSIONS | | APPROVED BY SCLOW | DATE 2004/12/06 | MATERIAL NO. SEE TABLE | DOCUMENT NO. SD-87891-013 | SHEET NO. 7 OF 8 | | | |

| PACKAGING OPTION PART NO. | | | | | | | | | | PACKAGING OPTION PART NO. | | | | | | | | | | | | |
|---------------------------|-------|------------------|----------|---------------|--------------|-----------|-------|-------|-------|---------------------------|------|-------|------------------|----------|---------------|--------------|-----------|--------|-------|-------|------|------|
| TRAY | BULK | TUBE WITHOUT CAP | CKT SIZE | VOID POSITION | PLATING TYPE | DIMENSION | | | | | TRAY | BULK | TUBE WITHOUT CAP | CKT SIZE | VOID POSITION | PLATING TYPE | DIMENSION | | | | | |
| | | | | | | A | B | F | M | P | | | | | | | A | B | F | M | P | |
| F | ----- | 87891-3701 | ----- | 37 | ---- | 1 | 93.98 | 91.44 | 11.30 | 5.84 | 2.97 | ----- | 87891-4001 | ----- | 40 | ---- | 1 | 101.60 | 99.06 | 11.30 | 5.84 | 2.97 |
| | ----- | 87891-3702 | ----- | 37 | ---- | 2 | 93.98 | 91.44 | 11.30 | 5.84 | 2.97 | ----- | 87891-4002 | ----- | 40 | ---- | 2 | 101.60 | 99.06 | 11.30 | 5.84 | 2.97 |
| | ----- | 87891-3703 | ----- | 37 | ---- | 3 | 93.98 | 91.44 | 11.30 | 5.84 | 2.97 | ----- | 87891-4003 | ----- | 40 | ---- | 3 | 101.60 | 99.06 | 11.30 | 5.84 | 2.97 |
| | ----- | 87891-3704 | ----- | 37 | ---- | 4 | 93.98 | 91.44 | 11.30 | 5.84 | 2.97 | ----- | 87891-4004 | ----- | 40 | ---- | 4 | 101.60 | 99.06 | 11.30 | 5.84 | 2.97 |
| | ----- | 87891-3705 | ----- | 37 | ---- | 5 | 93.98 | 91.44 | 11.30 | 5.84 | 2.97 | ----- | 87891-4005 | ----- | 40 | ---- | 5 | 101.60 | 99.06 | 11.30 | 5.84 | 2.97 |
| | ----- | 87891-3706 | ----- | 37 | ---- | 6 | 93.98 | 91.44 | 11.30 | 5.84 | 2.97 | ----- | 87891-4006 | ----- | 40 | ---- | 6 | 101.60 | 99.06 | 11.30 | 5.84 | 2.97 |
| E | | | | | | | | | | | | | | | | | | | | | | |
| | ----- | 87891-3801 | ----- | 38 | ---- | 1 | 96.52 | 93.98 | 11.30 | 5.84 | 2.97 | | | | | | | | | | | |
| | ----- | 87891-3802 | ----- | 38 | ---- | 2 | 96.52 | 93.98 | 11.30 | 5.84 | 2.97 | | | | | | | | | | | |
| | ----- | 87891-3803 | ----- | 38 | ---- | 3 | 96.52 | 93.98 | 11.30 | 5.84 | 2.97 | | | | | | | | | | | |
| | ----- | 87891-3804 | ----- | 38 | ---- | 4 | 96.52 | 93.98 | 11.30 | 5.84 | 2.97 | | | | | | | | | | | |
| D | ----- | 87891-3805 | ----- | 38 | ---- | 5 | 96.52 | 93.98 | 11.30 | 5.84 | 2.97 | | | | | | | | | | | |
| | ----- | 87891-3806 | ----- | 38 | ---- | 6 | 96.52 | 93.98 | 11.30 | 5.84 | 2.97 | | | | | | | | | | | |
| | | | | | | | | | | | | | | | | | | | | | | |
| | ----- | 87891-3901 | ----- | 39 | ---- | 1 | 99.06 | 96.52 | 11.30 | 5.84 | 2.97 | | | | | | | | | | | |
| | ----- | 87891-3902 | ----- | 39 | ---- | 2 | 99.06 | 96.52 | 11.30 | 5.84 | 2.97 | | | | | | | | | | | |
| C | ----- | 87891-3903 | ----- | 39 | ---- | 3 | 99.06 | 96.52 | 11.30 | 5.84 | 2.97 | | | | | | | | | | | |
| | ----- | 87891-3904 | ----- | 39 | ---- | 4 | 99.06 | 96.52 | 11.30 | 5.84 | 2.97 | | | | | | | | | | | |
| | ----- | 87891-3905 | ----- | 39 | ---- | 5 | 99.06 | 96.52 | 11.30 | 5.84 | 2.97 | | | | | | | | | | | |
| | ----- | 87891-3906 | ----- | 39 | ---- | 6 | 99.06 | 96.52 | 11.30 | 5.84 | 2.97 | | | | | | | | | | | |
| B | | | | | | | | | | | | | | | | | | | | | | |

| | | | | | | | | | |
|---|------------------------------------|--|--|--|--|---|-------------------------------|-------------------------------|--|
| EWB# 1023 EC NO: S2007-0289 DRWNS:KLI M01 CHKD:CWAM APPR:KWLEE 2006/09/29 2006/09/29 2006/09/30 | QUALITY SYMBOLS =0 =0 | GENERAL TOLERANCES (UNLESS SPECIFIED) | | DIMENSION STYLE MM ONLY | | SCALE NTS | DESIGN UNITS METRIC | THIRD ANGLE PROJECTION | |
| | | 4 PLACES ± --- ± --- 3 PLACES ± --- ± --- 2 PLACES ± 0.20 ± --- 1 PLACE ± --- ± --- | | DRAWN BY YLQIAO DATE 2004/11/17 CHECKED BY PTL IM DATE 2004/12/01 | | TITLE CUSTOM HEADER 2.54MM PITCH, SINGLE ROW SINGLE WAFER, T/H HEADER | | | |
| | | ANGULAR ± 3 ° | | APPROVED BY SCLOW DATE 2004/12/06 | | MOLEX INCORPORATED | | | |
| | | DRAFT WHERE APPLICABLE MUST REMAIN WITHIN DIMENSIONS | | SEE TABLE | | MATERIAL NO. SD-87891-013 DOCUMENT NO. | | SHEET NO. 8 OF 8 | |