

**PLEASE CHECK WWW.MOLEX.COM FOR LATEST PART INFORMATION**

**Part Number:** [0891779250](#)  
**Status:** **Active**  
**Overview:**  
**Description:** 1.27mm (.050") Pitch Compact PCI Slot, Board-to-Board Edge Card Connector, Vertical, Double-Sided, Dual Read-Out, White, with Metal Peg, Gold (Au) Flash, Voltage 5V, 184 Circuits  
**Replacement Part Number:** [48200-9250](#)

**General**

Product Family	Edge Card Connectors
Series	<a href="#">89177</a>
Comments	5V Card Configuration
Component Type	Edgecard to PCB
Obsolete Date	2006/04/01
Overview	<a href="#">edge_card_connectors</a>
Product Name	Edge Card
Replacement Part Number	<a href="#">48200-9250</a>

**Physical**

Circuits (Loaded)	184
Circuits (maximum)	184
Circuits Detail	All Signal
Durability (mating cycles max)	50
Entry Angle	Vertical (Top Entry)
Keying to Mating Part	Yes
Material - Metal	Phosphor Bronze
Material - Plating Mating	Gold
Material - Plating Termination	Tin
PC Tail Length (in)	0.118 In
PC Tail Length (mm)	3.00 mm
PCB Locator	Yes
PCB Retention	Yes
PCB Thickness Recommended (in)	0.062 In
PCB Thickness Recommended (mm)	1.60 mm
Packaging Type	Tray
Pitch - Mating Interface (in)	0.050 In
Pitch - Mating Interface (mm)	1.27 mm
Polarized to Mating Part	Yes
Temperature Range - Operating	-55°C to +105°C
Termination Interface: Style	Through Hole

**Electrical**

Current - Maximum per Contact	1A
Voltage - Maximum	500V

**Material Info**

**Reference - Drawing Numbers**

Packaging Specification	SPK-89177
Product Specification	PS-89177

**EU RoHS**

**Not RoHS Compliant**

**REACH SVHC**

Not Reviewed

**Halogen-Free**

Status

**Not Reviewed**

**China RoHS**



**Need more information on product environmental compliance?**

Email [productcompliance@molex.com](mailto:productcompliance@molex.com)  
 For a multiple part number RoHS Certificate of Compliance, [click here](#)

Please visit the [Contact Us](#) section for any non-product compliance questions.

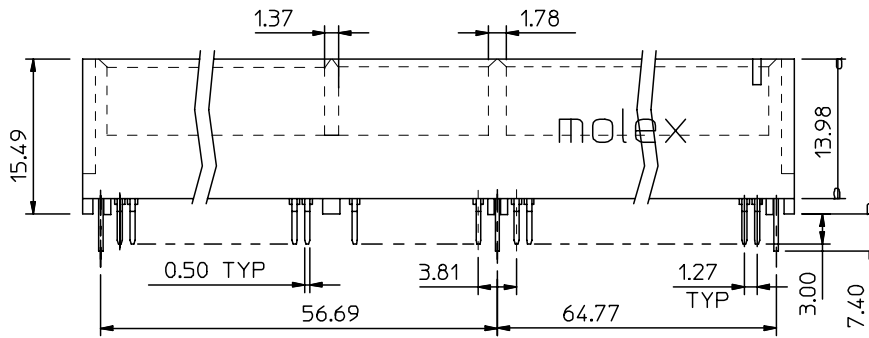
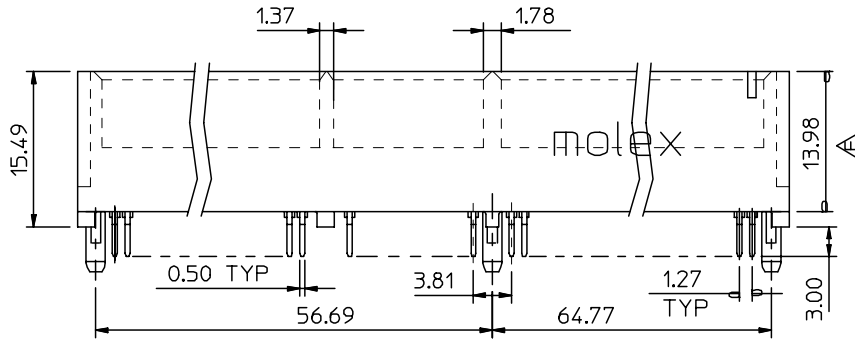
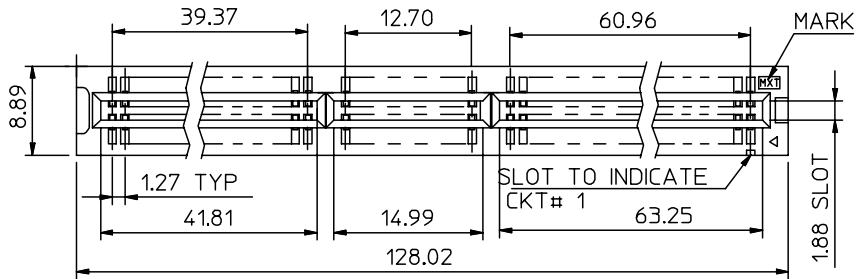
**Search Parts in this Series**

[89177Series](#)

**Mates With**

64-bit PCI card

10 9 8 7 6 5 4 3 2 1



NOTES:

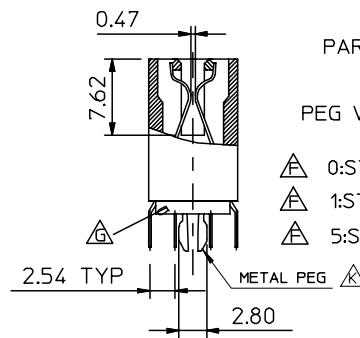
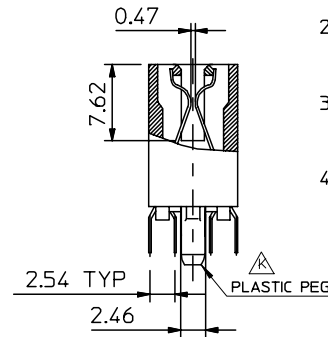
1. MATERIAL:

HOUSING : PPS  
 TERMINAL: PHOSPHOR BRONZE



2.FINISH

- 0 - GOLD FLASH IN CONTACT AREA, 1.52um/60uin MIN. TIN/LEAD IN SOLDER TAIL, BOTH OVER 0.76um/30uin MIN. NICKEL OVERALL.
- 1 - 0.25um/10uin MIN. GOLD IN CONTACT AREA, 1.52um/60uin MIN. TIN/LEAD IN SOLDER TAIL, BOTH OVER 0.76um/30uin MIN. NICKEL OVERALL.
- 2 - 0.38um/15uin MIN. GOLD IN CONTACT AREA, 1.52um/60uin MIN. TIN/LEAD IN SOLDER TAIL, BOTH OVER 0.76um/30uin MIN. NICKEL OVERALL.
- 3 - 0.76um/30uin MIN. GOLD IN CONTACT AREA, 1.52um/60uin MIN. TIN/LEAD IN SOLDER TAIL, BOTH OVER 0.76um/30uin MIN. NICKEL OVERALL.
- 4 - 0.50um/20uin MIN. GOLD IN CONTACT AREA, 1.52um/60uin MIN. TIN/LEAD IN SOLDER TAIL, BOTH OVER 0.76um/30uin MIN. NICKEL OVERALL.



PART NO. LEGEND : 89177 - 92\*\*

PEG VERSION, COLOR \_\_\_\_\_ PLATING VERSION (REFER TO NOTES 2)

- 0:STANDARD , BROWN , 5V, PLASTIC PEG
- 1:STANDARD , WHITE , 5V, PLASTIC PEG
- 5:STANDARD , WHITE , 5V, METAL PEG

PER EWR 2006-0035	EC NO: SH2006-0520	DRWN:ALLIN 2006/06/26	CHKD: 2006/06/27	APPR:WISCHANG 2006/06/30
REV	DESCRIPTION			

QUALITY SYMBOLS	▽=0
	△=0

GENERAL TOLERANCES (UNLESS SPECIFIED)	mm	INCH
4 PLACES	± ---	± ---
3 PLACES	± ---	± ---
2 PLACES	± 0.25	± ---
1 PLACE	± 0.25	± ---
ANGULAR ± 3 °		
DRAFT WHERE APPLICABLE MUST REMAIN WITHIN DIMENSIONS		

DIMENSION STYLE		SCALE	DESIGN UNITS	THIRD ANGLE PROJECTION
MM ONLY		2:1	METRIC	
DRAWN BY	DATE	TITLE		
SANORD	96/06/06	ASS'Y 1.27MM EDGE CARD CONNECTOR 184 CKT (3.3V & 5 V)		
CHECKED BY	DATE	MOLEX INCORPORATED		
SAM HUAN	96/06/06			
APPROVED BY	DATE	DOCUMENT NO.		
MEGA	96/06/06	SD-89177-92**		
MATERIAL NO.	SIZE	SHEET NO.		
	SEE TABLE	1 OF 4		

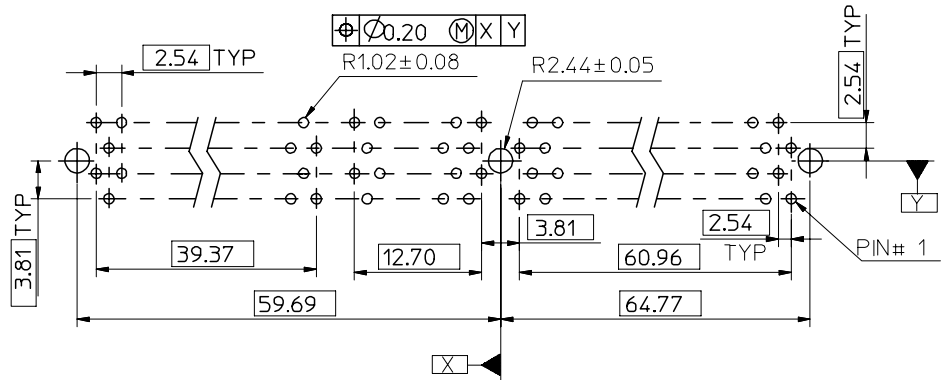
THIS DRAWING CONTAINS INFORMATION THAT IS PROPRIETARY TO MOLEX INCORPORATED AND SHOULD NOT BE USED WITHOUT WRITTEN PERMISSION		
---	--	--

9 8 7 6 5 4 3 2 1

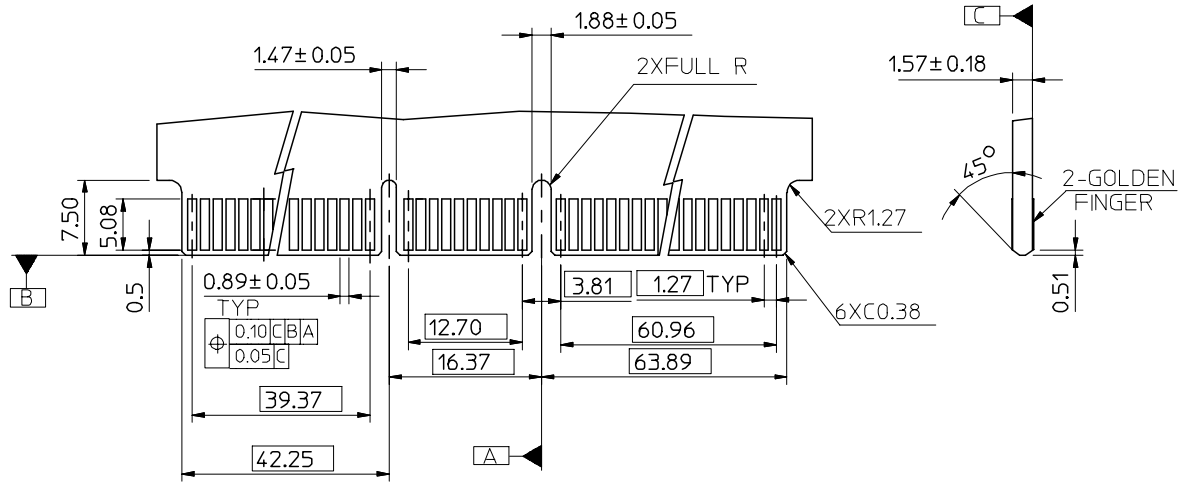
10 9 8 7 6 5 4 3 2 1

F  
E  
D  
C  
B  
A

F  
E  
D  
C  
B  
A



RECOMMENDED P.C BOARD PATTERN



RECOMMENDED MATING P.C. BOARD EDGE CONFIGURATION

SEE SHEET 1 EC NO: SH2006-0520 DRWN: ALLIN CHKD: APPR: WMSCHANG	2006/06/26 2006/06/27 2006/06/30	DESCRIPTION REV	QUALITY SYMBOLS	GENERAL TOLERANCES (UNLESS SPECIFIED)	DIMENSION STYLE	SCALE	DESIGN UNITS	THIRD ANGLE PROJECTION
			$\nabla = 0$ $\nabla C = 0$	mm    INCH	MM ONLY	2:1	METRIC	
			4 PLACES ± --- ± --- 3 PLACES ± --- ± --- 2 PLACES ± 0.25 ± --- 1 PLACE ± 0.25 ± --- ANGULAR ± 3 °	DRAWN BY: SANORD    DATE: 96/06/06 CHECKED BY:            DATE: APPROVED BY: SAM HUAN    DATE: 96/06/06 MEGA                      DATE: 96/06/06	TITLE			
			DRAFT WHERE APPLICABLE MUST REMAIN WITHIN DIMENSIONS	MATERIAL NO.    DOCUMENT NO.    SHEET NO.	ASS'Y 1.27MM EDGE CARD CONNECTOR 184 CKT (3.3V & 5 V)	MOLEX INCORPORATED	SD-89177-92**	2 OF 4

9 8 7 6 5 4 3 2 1

THIS DRAWING CONTAINS INFORMATION THAT IS PROPRIETARY TO MOLEX INCORPORATED AND SHOULD NOT BE USED WITHOUT WRITTEN PERMISSION

SLOT TO INDICATE  
CKT# 1

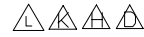
MARK

NOTES:

1. MATERIAL:

HOUSING : PPS

TERMINAL: PHOSPHOR BRONZE



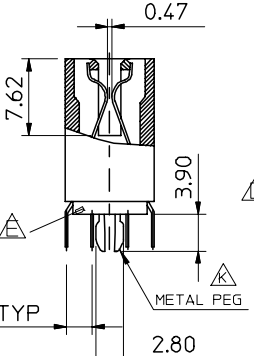
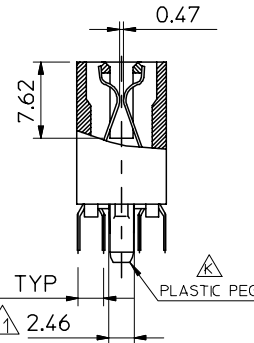
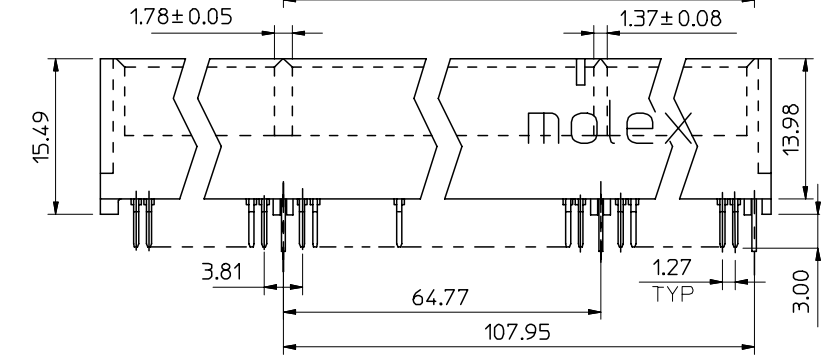
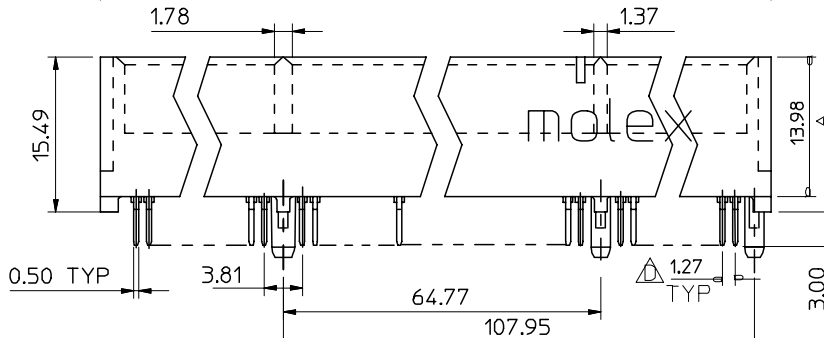
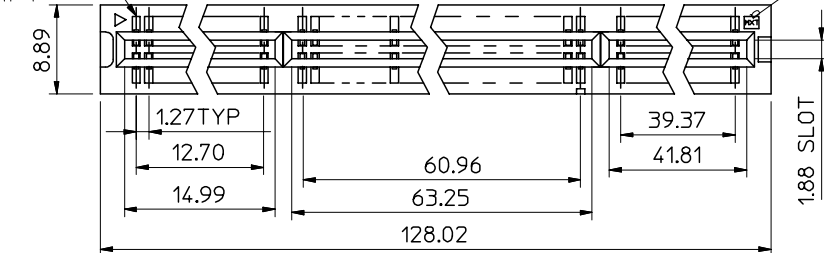
2.FINISH 0 - GOLD FLASH IN CONTACT AREA, 152um/60uin  
MIN. TIN/LEAD IN SOLDER TAIL, BOTH OVER 0.76um/  
30uin MIN. NICKEL OVERALL.

1 - 0.25um/10uin MIN. GOLD IN CONTACT AREA,  
152um/60uin MIN. TIN/LEAD IN SOLDER TAIL, BOTH OVER  
0.76um/30uin MIN. NICKEL OVERALL.

2 - 0.38um/15uin MIN. GOLD IN CONTACT AREA,  
152um/60uin MIN. TIN/LEAD IN SOLDER TAIL, BOTH OVER  
0.76um/30uin MIN. NICKEL OVERALL.

3 - 0.76um/30uin MIN. GOLD IN CONTACT AREA,  
152um/60uin MIN. TIN/LEAD IN SOLDER TAIL, BOTH OVER  
0.76um/30uin MIN. NICKEL OVERALL.

4 - 0.50um/20uin MIN. GOLD IN CONTACT AREA,  
152um/60uin MIN. TIN/LEAD IN SOLDER TAIL, BOTH OVER  
0.76um/30uin MIN. NICKEL OVERALL.



PART NO. LEGEND : 89177 - 92\*\*

PEG VERSION, COLOR \_\_\_\_\_ PLATING VERSION  
(SEE NOTES2)

- △2 : STANDARD , BROWN , 3.3V, PLASTIC PEG
- △3 : STANDARD , WHITE , 3.3V, PLASTIC PEG
- △4 : STANDARD , RED , 3.3V, PLASTIC PEG
- △6 : STANDARD , WHITE , 3.3V, METAL PEG
- △7 : STANDARD , GREEN , 3.3V, PLASTIC PEG  
(PANTON COLOR 365C)
- △8 : STANDARD , BLACK , 3.3V, PLASTIC PEG

SEE SHEET 1	DESCRIPTION
EC NO: SH2006-0520	REV
DRWN:ALLIN	
CHKD:	
APPR:WISCHANG	
2006/06/26	
2006/06/27	
2006/06/30	

QUALITY SYMBOLS	DESCRIPTION
▽=0	
△=0	

GENERAL TOLERANCES (UNLESS SPECIFIED)	
	ANGULAR ± 3 °
4 PLACES	± --- ± ---
3 PLACES	± --- ± ---
2 PLACES	± 0.25 ± ---
1 PLACE	± 0.25 ± ---
DRAFT WHERE APPLICABLE MUST REMAIN WITHIN DIMENSIONS	

DIMENSION STYLE	
MM ONLY	
DRAWN BY	DATE
CHECKED BY	DATE
APPROVED BY	DATE
MATERIAL NO.	DOCUMENT NO.
SIZE	

SCALE	DESIGN UNITS	THIRD ANGLE PROJECTION
2:1	METRIC	
TITLE		
ASS'Y 1.27MM EDGE CARD CONNECTOR 184 CKT (3.3V & 5 V)		
MOLEX INCORPORATED		
SEE TABLE	SD-89177-92**	SHEET NO. 3 OF 4
THIS DRAWING CONTAINS INFORMATION THAT IS PROPRIETARY TO MOLEX INCORPORATED AND SHOULD NOT BE USED WITHOUT WRITTEN PERMISSION		

10 9 8 7 6 5 4 3 2 1

F

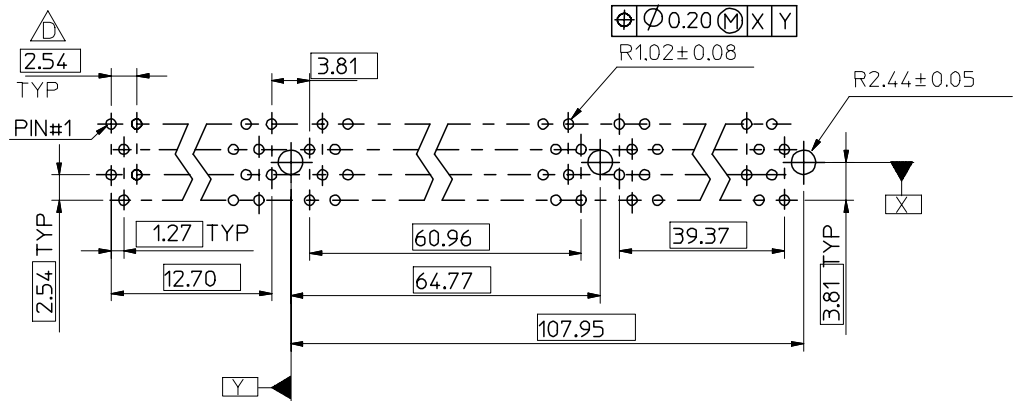
E

D

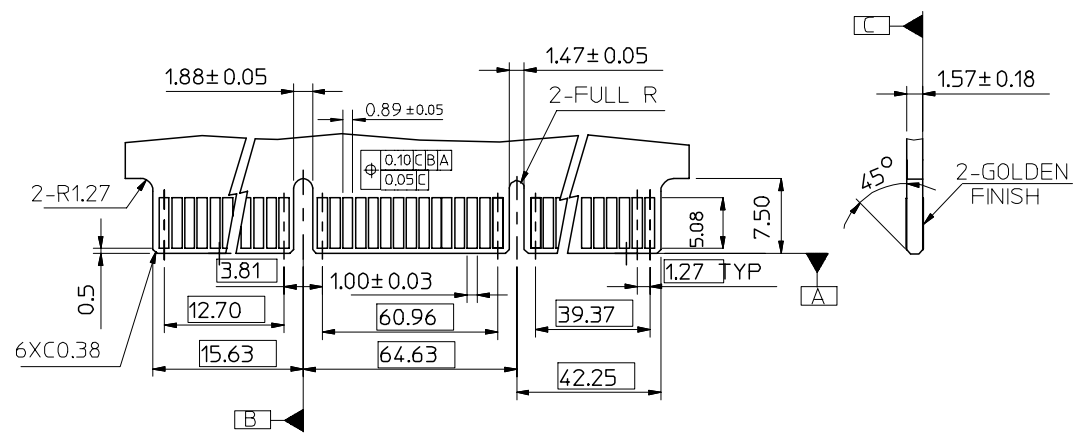
C

B

A



RECOMMENDED P.C. BOARD PATTERN



RECOMMENDED MATING P.C. BOARD EDGE CONFIGURATION

SEE SHEET 1 EC NO: SH2006-0520 DRWN: ALLIN 2006/06/26 CHKD: 2006/06/27 APPR: WMSCHANG 2006/06/30	QUALITY SYMBOLS ▽ = 0 ▽ = 0	GENERAL TOLERANCES (UNLESS SPECIFIED)		DIMENSION STYLE MM ONLY		SCALE 2:1	DESIGN UNITS METRIC	THIRD ANGLE PROJECTION			
		4 PLACES ± --- ± ---	3 PLACES ± --- ± ---	2 PLACES ± 0.25 ± ---	1 PLACE ± 0.25 ± ---	ANGULAR ± 3 °	DRAWN BY SANORD	DATE 96/06/06	TITLE ASS'Y 1.27MM EDGE CARD CONNECTOR 184 CKT (3.3V & 5 V)		
							CHECKED BY SAM HUAN	DATE 96/06/06	MOLEX INCORPORATED		
							APPROVED BY MEGA	DATE 96/06/06			
DRAFT WHERE APPLICABLE MUST REMAIN WITHIN DIMENSIONS					MATERIAL NO. SEE TABLE		DOCUMENT NO. SD-89177-92**	SHEET NO. 4 OF 4			

9 8 7 6 5 4 3 2 1