



TVGA9000C LOW COST VGA CONTROLLER

Overview

- Single-chip solution for IBM PC/AT, PS/2 and compatibles
- Supports 640x400, 640x480, 800x600 (interlaced or non-interlaced) in 256 colors
- Supports 800x600, 1024x768, and 768x1024 (interlaced or non-interlaced) in 16 colors
- Supports 512x480-32K/64K colors (Trident's TKD8001 or other 15/16-bit DAC required)
- Built-in data bus transceiver and feature connector support
- Supports 256Kx4 DRAM chips
- Requires only two 256Kx4 DRAM chips for VGA solution
- Supports up to 512K of DRAM
- Fully hardware compatible with VGA, EGA, CGA, MDA, and Hercules at the register level
- Programmable DRAM timing
- Supports 80/132-column text in 25, 30, 43, or 60 rows
- Only one 32Kb EPROM required to achieve 16-bit BIOS operation speed
- High-resolution drivers available
- 0.8 μ m low power CMOS technology
- 160 pin PFP package

General Description

The TVGA9000C is the successor to the popular TVGA9000B. The TVGA9000C is a highly integrated and cost effective solution for high performance VGA (Video Graphics Array) systems. The built-in data bus transceiver and feature connector support mean a minimum motherboard solution can be achieved with only three support chips: the TKD8001 DAC/clock chip, and two pieces 256Kx4 DRAM. Programmable DRAM timing allows the designer to choose either slower speed DRAM for a cost saving solution or faster speed DRAM for high speed performance. Display support for Super VGA, VGA, EGA, CGA, and MDA monitors assures TVGA9000C solutions can be matched up with virtually any monitor on the market.

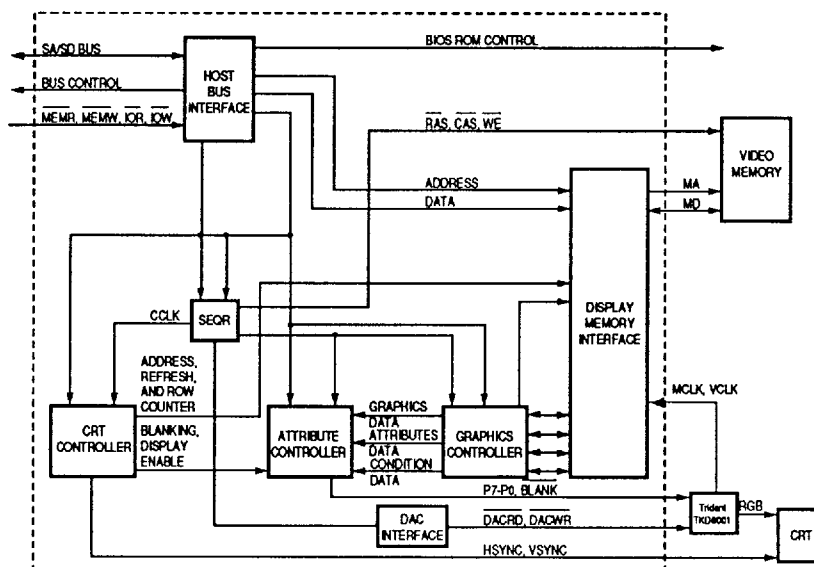


Figure 1. TVGA9000C Functional Block Diagram



TVGA9000C DATA SHEET

Compatibility

The TVGA9000C is fully compatible with all standard IBM VGA modes and EGA, CGA, MDA, and Hercules modes. It allows:

- Use of application software that run in any of the above modes
- Emulation of EGA, CGA, MDA, and Hercules modes on a VGA monitor

Extended Graphics and Text Modes

Extended graphics modes supported include:

- 512x480 in 32K or 64K colors (additional Trident TKD8001 or other 15/16-bit DAC required)
- 640x400, 640x480, and 800x600 (interlaced or non-interlaced) in 256 colors from a palette of 256K colors (with 6-bit DAC) or 16M colors (with 8-bit DAC)
- 800x600, 768x1024, and 1024x768 (interlaced or non-interlaced) in 16 colors out of 256K/16M
- 1024x768 in 4 colors out of 256K/16M
- Extended text modes offer 80-column text with 30, 43, and 60 rows; and 132-column text with 25, 30, 43, and 60 rows

Hardware Features

The TVGA9000C supports the PC/AT bus and PS/2 Micro Channel bus and offers source address registers to speed memory read/write operations.

The support of pseudo 16-bit ROM operation in TVGA9000C means high performance can be achieved using a single ROM chip. A single ROM solution helps minimize the number of chips required for VGA implementation.

The chip allows programmable DRAM timing and supports 256Kx4 DRAM. Table 1 outlines the amount and speed of Fast Page Mode 256Kx4 DRAM required to implement the 16-, 256-, and 32K-color modes.

Table 1. 16, 256, and 32K-Color DRAM Requirements

Resolution	Colors			DRAM Count		Speed ns	
	16	256	32K ¹	2	4	100	80
Standard VGA	•			•			•
512x480			•		•		•
640x480		•			•		•
800x600	•			•			•
800x600		•			•	•	
1024x768 (Interlaced)	•				•	•	
1024x768 (Non-interlaced)	•				•		•

¹Same DRAM requirement for 64K color

Software Drivers Supported

The TVGA9000C is compatible with all drivers currently available for the TVGA9000B. The following applications are supported:

- AutoCAD
- Autoshade
- CADKEY
- Framework
- GEM
- Lotus
- MS Windows
- MS Word
- P-CAD
- Symphony
- Ventura
- VersaCAD
- WordPerfect
- Wordstar
- OS/2
- Quattro Pro
- SCO X-Windows (contact SCO)

Contact Trident for the latest high-resolution driver releases.



TVGA9000C Applications

The TVGA9000C works with your hardware allowing you to develop a high-end or low-end system. You can use Trident's DAC/clock chip, the TKD8001, to select up to 16 different clock frequencies. Such frequency selection ability allows you to implement specific applications such as support for high-resolution analog VGA monitors, fixed-frequency VGA monitors, and EGA, CGA, MDA, and Hercules monitors. The TVGA9000C allows you to divide clock input frequencies by one and one half, two, or four. Four chips signals (SC1, SC2, SC3, and SC4) can be programmed to select specific clock inputs for the TVGA9000C.

A minimum configuration requires a TVGA9000C, TKD8001 DAC/clock chip, two 256Kx4 DRAM chips, 32KB EPROM, 15-pin connector, 14.318MHz crystal, jumpers, and miscellaneous ferrite beads, capacitors, resistors.

TVGA9000C Components

The TVGA9000C consists of seven major components: Sequencer, CRT Controller, Graphics Controller, Attribute Controller, DAC Support Logic, Host Bus Interface, and Display Memory Bus Interface. These components are used to generate video output and timing for video memory and the monitor. See Figure 1 on page 2 for the TVGA9000C Functional Block Diagram.

Sequencer

The sequencer provides basic memory timing for DRAM interfacing, and a character clock for the CRT controller and for controlling regenerative memory fetch. The sequencer uses a 32 byte video cache to let the CPU access display memory during active display intervals. Video data from the cache can be output to the video screen while the CPU accesses video memory. This greatly increases performance over standard implementations for CPU access.

CRT Controller

The CRT (Cathode Ray Tube) Controller provides complete control for horizontal and vertical synchronous timing, address interface between video memory and display screen, cursor and underline timing, and refresh addressing for dynamic RAMs.

Graphics Controller

During the active display interval, the Graphics Controller directs data from video memory to the Attribute Controller. In graphics modes, memory data is formatted into serialized form and sent to the Attribute Controller in 4-bit plane format. In text mode, the parallel attribute byte goes directly to the Attribute Controller without going through the Graphics Controller. During video memory read/write operations, the Graphics Controller acts as an interface to the CPU. The Graphics Controller can perform logic operations on memory data before it reaches the display memory or system data bus.

Attribute Controller

The Attribute Controller takes in data from video memory and formats it for output on the display monitor. In addition, the Attribute Controller takes care of blinking, underlining, cursor insertion, and PEL panning. In text mode, 16 bits of code are divided into 8 bits of character code and 8 bits of attribute code. The character code is used as a look-up into a font table. The attribute code is used to determine character color, blinking, bold, etc. In graphics mode, the Graphics Controller serializes memory bits. Each output color is translated through the internal color palettes and then sent to the Video DAC. Here it is used as an address to the 18/24-bit color look-up table. The value read from the color look-up table is converted into three analog signals (R, G, B) for driving an analog display.



TVGA9000C DATA SHEET

DAC Support Logic

To simplify the chip hardware design, the TVGA9000C provides a pixel clock and DAC write, DAC read, and blank signals to an off-chip color look-up table/DAC. See Figure 7 for the standard application diagram on page 16.

Host Bus Interface

The TVGA9000C supports the PC/AT bus and the Micro Channel bus by setting or resetting configuration bits MD4 during the system reset time. When the TVGA9000C is part of a Micro Channel board solution, several host bus interface pins are defined or designated differently from a PC/AT solution. Reference Table 11 for details.

The TVGA9000C video ROM is located at C0000-C7FFF. The PROM data width can be configured as 16-bit or 8-bit at system reset time by pulling MD7 high or low, respectively. If the 16-bit mode is turned on, the TVGA9000C will return $\overline{MCS16}$ when the PROM is addressed. If the on-board BIOS is not used, the ROM chip(s) can be disabled by pulling MD6 low at system reset time.

The TVGA9000C can address up to 512K of video memory depending on the mode (text or graphics). After system reset the TVGA9000C is configured for an 8-bit data width for video memory access. The 16-bit-wide data bus can be activated automatically by ROM. The TVGA9000C will drive $\overline{MCS16}$ when the 16-bit mode is set and video memory is accessed.

In order to comply with the Micro Channel specifications, the TVGA9000C supports channel ID (I/O address 100 and 101) as well as the card-enable control bit (bit 0 of I/O port 102). When the video memory or on-board I/O registers are accessed, the TVGA9000C responds with $\overline{CD SFDBK}$. $\overline{CD SFDBK}$ is generated by decoding the following address groups with a read/write command:

I/O Read/Write:

- 3BX - excluding 3B6, 3B7, 3BC, 3BD, and 3BX. For monochrome mode only.
- 3DX - excluding 3D6, 3D7, 3DE, and 3DF. For color mode only.
- 3CX - excluding 3CA, 3CB, and 3CD.

Memory Read/Write:

- \overline{ROMCS} - on-board BIOS EPROM address from C0000 to C7FFF.
- $\overline{MEMR/W}$ - default display memory address space.

Since there is only the decoding delay for generation of $\overline{CD SFDBK}$, the signal will look very much like that of a system read/write command.

Display Memory Bus Interface

The TVGA9000C provides a bus interface for the video display DRAM. The interface provides address multiplexing, data multiplexing, refresh, and RAS, CAS, and write-enable signals. Eighteen address pins (MAA8-MAA0 and MAB8-MAB0 for Bank A and B) and 16 data pins (MD23-Md16 and MD7-MD0) are available for display memory.



MD & RMD Definitions at System Reset

Tables 2 through 4 list values and definitions for MD17-MD16, MD7-MD0 and RMD7-RMD0 at system reset.

Table 2. MD17-MD16, MD7-MD0 Definitions

MD	Logic Value ¹	Definition
MD17	0	Selects LA23-20
	1	Selects SA19-17, <u>HAD</u>
MD16	0	8-bit ISA Bus
	1	16-bit ISA Bus
MD7	0	8-bit BIOS
	1	16-bit BIOS
MD6	0	ROM disabled
	1	ROM enabled
MD5	0	I/O port at 2xx
	1	I/O port at 3xx
MD4	0	MCA bus
	1	ISA bus
MD3-MD0		DIP switch settings ²

¹No pull-up resistor required to set a Logical 1 value. Set a Logical 0 value by pulling-down to GND through a 4.7K-10K resistor.

²Data read into a 4-bit register. The data values can be used by the BIOS or application software.

Table 3. RMD7-RMD0 Definitions

RMD	Logic Value ¹	Definition
RMD7	0	8-bit video memory
	1	16-bit video memory
RMD6-RMD5	-	Reserved
RMD4	0	Selects 46E8 for port control
	1	Selects 3C3 for port control
RMD3	0	24K BIOS
	1	32K BIOS
RMD2	1	Reserved
RMD1	0	Standard BIOS wait states
	1	Extended BIOS wait states
RMD0	0	Slow mode address detect
	1	Fast mode address detect

¹ No pull-up resistor required to set a Logical 1 Value. Set a Logical 0 value by pulling-down to GND through a 4.7K-10K resistor.



TVGA9000C DATA SHEET

Chip Specifications

Table 4. Absolute Maximum Ratings

Parameter	Symbol	Minimum	Typ.	Maximum	Units
Power Supply Voltage	V_{DD}	4.75	5.0	5.25	V
Input Voltage	V_{IN}	GND		V_{DD}	V
Operating Temperature	T_{OP}	0		70	°C
Storage Temperature	T_{STO}	-40		100	°C

Stresses above those listed under ABSOLUTE MAXIMUM RATINGS may cause permanent device failure. Functionality at or above these limits is not implied. Exposure to absolute maximum ratings for extended periods may effect device reliability.

Table 5. DC Specifications

Parameter	Symbol	Minimum	Maximum	Units	Conditions
Input Low Voltage	V_{IL}	GND	0.8	V	$V_{DD}=5V$
Input High Voltage	V_{IH}	2.0	V_{DD}	V	$V_{DD}=5V$
Input Low Current	I_{IL}	-	-0.5	μA	$V_{IN}=0.0V$
Input High Current	I_{IH}	-	20	μA	$V_{IN}=V_{DD}$
Output Low Voltage	V_{OL}	-	0.4	V	see Note 1
Output High Voltage	V_{OH}	2.4	-	V	see Note 1
High Impedance Leakage	I_{OZ}	-	10.0	μA	$V_{SS}<V_{OUT}<V_{DD}$
Supply Current	I_{OC}	-	100.0	mA	$V_{DD}=5.25V (V_{DD} \text{ MAX.})$

Note 1: $I_{OL}/I_{OH} = 4/-4$ mA for SC4-SC1, ROMCS, EXTCLK, EXENPD, DACRD, DACWR, BSYNC, RS2-RS0. $I_{OL}/I_{OH} = 6/-6$ mA for MAA8-MAA0, MABB-MAB0. $I_{OL}/I_{OH} = 8/-8$ mA MD23-MD16, MD7-MD0, SD15-SD0, IREQ, P7-P0, VSYNC, HSYNC, BLANK, WE3-WE0, PCLK. $I_{OL}/I_{OH} = 16/-16$ mA for RAS, IOCHRDY, NMI, MCS16, ZWS

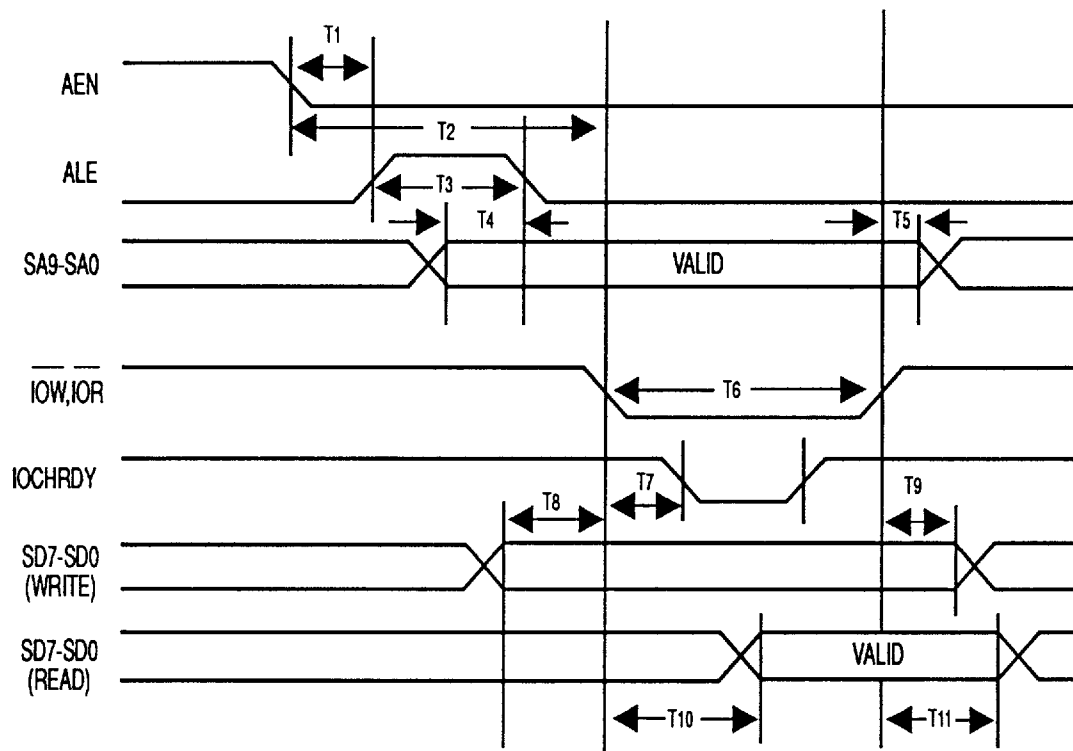


Figure 2. PC/AT ISA Bus I/O Read/Write Timing

Table 6. AC Specifications for ISA Bus I/O Read/Write in Nanoseconds

SYM	Description	Min	Typ	Max
T1	AEN Valid to Rising Edge of ALE	100		
T2	AEN Valid to I/O Command Active	5		
T3	ALE Active to Inactive	15.5		
T4	SA9-SA0 & \overline{SBHE} Valid to Falling Edge of ALE	29.5		
T5	SA9-SA0 & \overline{SBHE} Valid Hold From Command Inactive	18		
T6	I/O Command Active		60	
T7	IOCHRDY Inactive From Active Command	10		15
T8	Valid Write Data Setup to I/O Command Active	4.5		80
T9	Write Data Valid Hold From I/O Command Inactive	30		
T10	Read Data Valid From Read Command Active			60
T11	Read Command Inactive to SD7-SD0 Invalid			20



TVGA9000C DATA SHEET

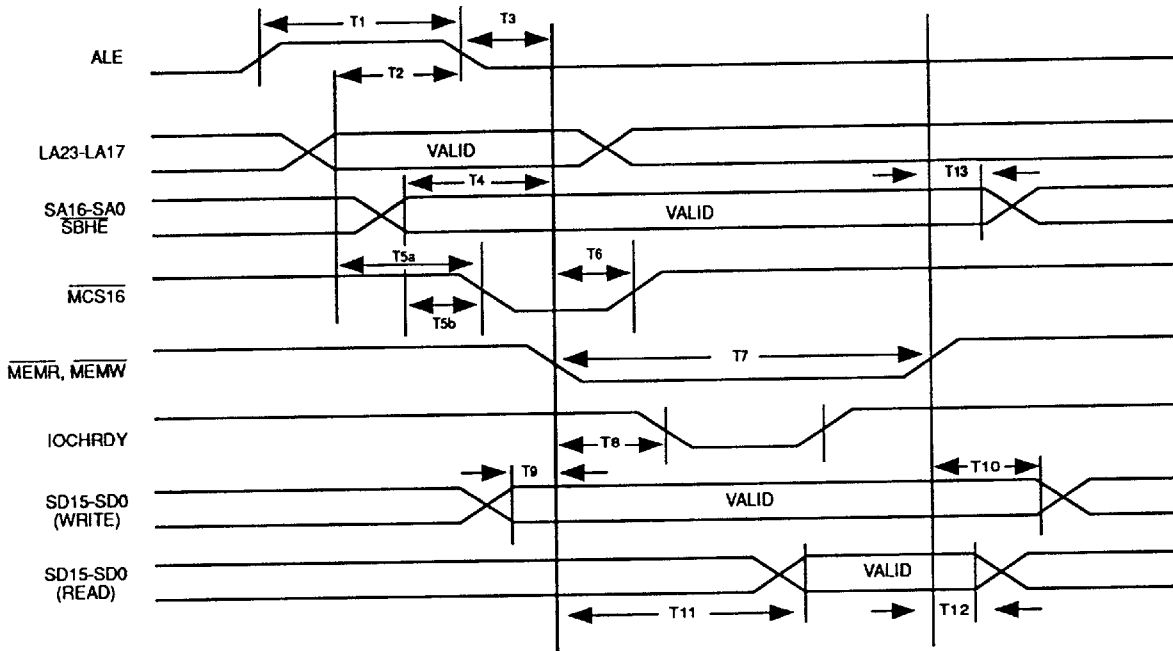


Figure 3. PC/AT ISA Bus Memory Read/Write Timing

Table 7. AC Specifications for ISA Bus Memory Read/Write in Nanoseconds

SYM	Description	Min	Typ	Max
T1	ALE Active to Inactive	15		
T2	LA23-LA17 Valid Setup to Falling Edge of ALE	20		
T3	ALE Inactive to Command Active	20		
T4	SA16-SA0 & SBHE Valid to Memory Command Active	5		
T5a	MCS16 Active From Unlatched Address			20
T5b	MCS16 Active From Latched Address			14
T6	MCS16 Valid Hold From Invalid LA23-LA17			25
T7	Memory Command Active to Inactive	80		
T8	IOCHRDY Inactive From Memory Command Active	10		20
T9	Valid Write Data Setup to Memory Command Active	0		
T10	Write Data Valid Hold From Memory Command Inactive	10		
T11	Valid Read Data From Memory Command Active	0		
T12	Read Command Inactive to SD15-SD0 Invalid			20
T13	Latched Address Hold Time After Command	0		

TVGA9000C DATA SHEET

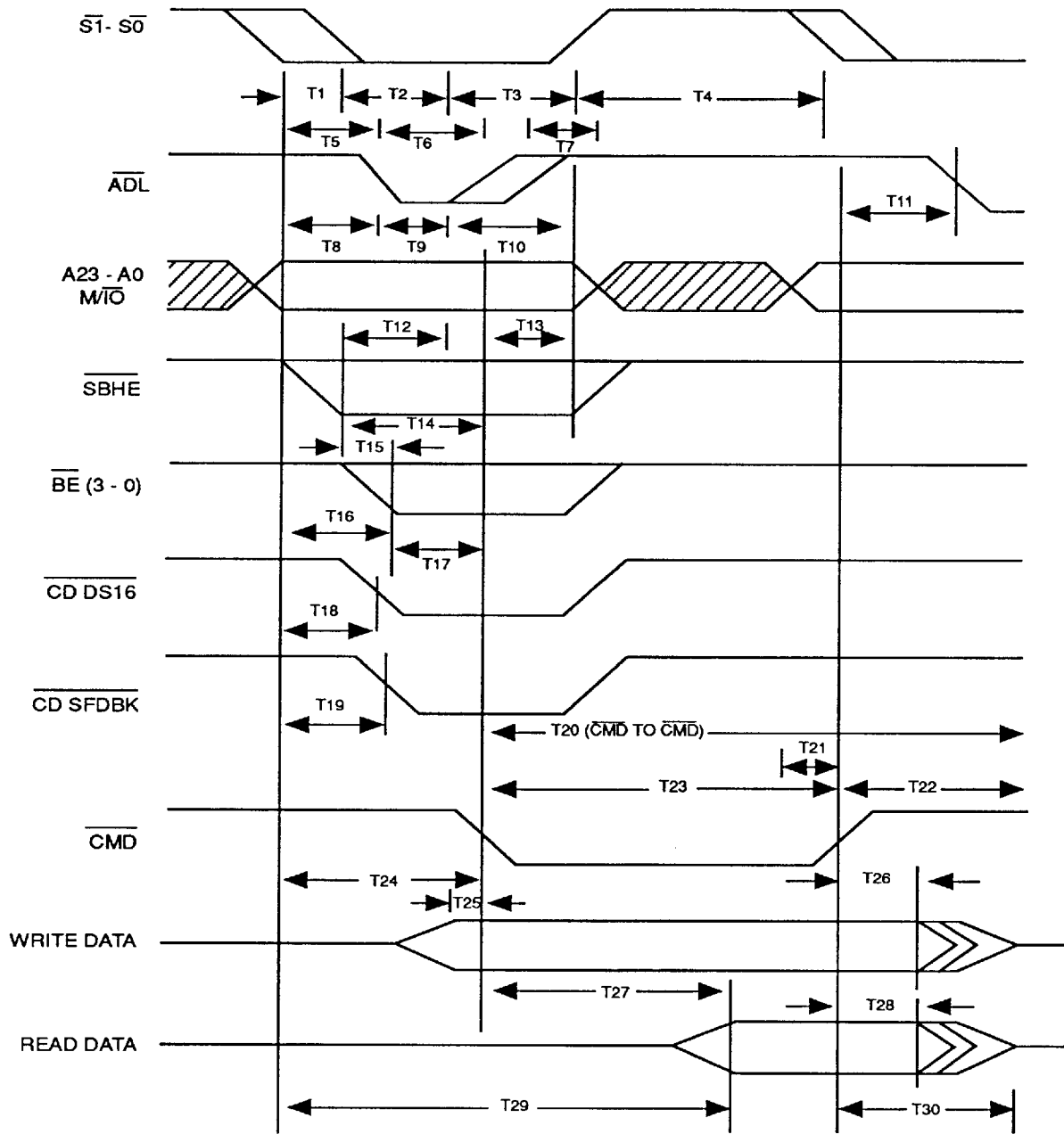


Figure 4. Micro Channel Bus Timing



TVGA9000C DATA SHEET

Table 8. AC Specifications for MCA Bus in Nanoseconds

SYM	Description	Min	Typ	Max
T1	Status Active From ADDRESS, M/I/O, REFRESH	10		
T2	CMD Active From Status Active	55		
T3	Status Hold From CMD Active	30		
T4	Next Status Active From Status Inactive	30		
T5	ADL Active From ADDRESS, M/I/O, REFRESH	45		
T6	ADL Active to CMD Active	40		
T7	ADDRESS, M/I/O, REFRESH, SBHE hold from ADL Inactive	25		
T8	ADL Active from Status Active	12		
T9	ADL Active to Inactive	40		
T10	Status Hold From ADL Inactive	25		
T11	CMD Inactive to next ADL Active	40		
T12	SBHE Setup to ADL Inactive	40		
T13	ADDRESS, M/I/O, REFRESH, SBHE Hold From CMD Active	30		
T14	SBHE Setup to CMD Active	40		
T15	BE3-BE0 Active From SBHE, A0, A1 Active			30
T17	BE3-BE0 Active to CMD Active	10		
T18	CD DS 16 Active (n) From ADDRESS, M/I/O, REFRESH Valid			55
T19	CD SFDBK Active From ADDRESS, M/I/O, REFRESH Valid		60	
T20	CMD Active to Next CMD Active	190		
T21	Next Status Active to CMD Inactive		20	
T22	CMD Inactive to Next CMD Active	80		
T23	CMD Active to Inactive	90		
T24	CMD Active From Address Valid	85		
T25	Write Data Setup to CMD Active	0		
T26	Write Data Hold From CMD Inactive	30		
T27	Read Data Valid From CMD Active		60	
T28	Read Data Hold From CMD Inactive		0	
T29	Status to Read Data Valid			125
T30	Read Data Bus Tri-state From CMD Inactive			40

T V G A 9 0 0 0 C D A T A S H E E T



Table 9. Vertical and Horizontal Timing

Mode	CLK (MHz)	Type	Display	Max Colors	VERTICAL				CLK T5	Polarity	MAX						
					T1	T2	T3	T4			T6	T7	T8	T9	T10	T11	Polarity
0,1	25.2	A/N	40x25	16	1.577	12.711	0.413	14.268	0.064	+	6.356	25.422	0.636	1.907	3.813	31.778	-
2,3	25.2	A/N	80x25	16	1.577	12.711	0.413	14.268	0.064	+	6.356	25.422	0.636	1.907	3.813	31.778	-
0*,1*	25.2	A/N	40x25	16	3.146	11.122	1.208	14.268	0.064	-	6.356	25.422	0.636	1.907	3.813	31.778	+
2*,3*	25.2	A/N	80x25	16	3.146	11.122	1.208	14.268	0.064	-	6.356	25.422	0.636	1.907	3.813	31.778	+
0+,1+	28.3	A/N	40x25	16	1.577	12.711	0.413	14.268	0.064	+	6.356	25.422	0.636	1.907	3.813	31.778	-
2+,3+	28.3	A/N	80x25	16	1.577	12.711	0.413	14.268	0.064	+	6.356	25.422	0.636	1.907	3.813	31.778	-
4,5	25.2	APA	320x200	4	1.577	12.711	0.413	14.268	0.064	+	6.356	25.422	0.636	1.907	3.813	31.778	-
6	25.2	APA	640x200	2	1.577	12.711	0.413	14.268	0.064	+	6.356	25.422	0.636	1.907	3.813	31.778	-
7	28.3	A/N	80x25	Mono	3.146	11.122	1.208	14.268	0.064	+	6.356	25.422	0.636	1.907	3.813	31.778	+
7+	28.3	A/N	80x25	Mono	1.577	12.711	0.413	14.268	0.064	+	6.356	25.422	0.636	1.907	3.813	31.778	+
D	25.2	APA	320x200	16	1.577	12.711	0.413	14.268	0.064	+	6.356	25.422	0.636	1.907	3.813	31.778	-
E	25.2	APA	640x200	16	1.577	12.711	0.413	14.268	0.064	+	6.356	25.422	0.636	1.907	3.813	31.778	-
F	25.2	APA	640x350	Mono	3.146	11.122	1.208	14.268	0.064	-	6.356	25.422	0.636	1.907	3.813	31.778	+
10	25.2	APA	640x350	16	3.146	11.122	1.208	14.268	0.064	-	6.356	25.422	0.636	1.907	3.813	31.778	+
11	25.2	APA	640x480	2	1.430	15.253	0.350	16.683	0.064	-	6.356	25.422	0.636	1.907	3.813	31.778	-
12	25.2	APA	640x480	16	1.430	15.253	0.350	16.683	0.064	-	6.356	25.422	0.636	1.907	3.813	31.778	-
13	25.2	APA	320x200	256	1.577	12.711	0.413	14.268	0.064	+	6.356	25.422	0.477	2.066	3.813	31.778	-
50	25.2	A/N	80x30	16	1.430	15.253	0.350	16.683	0.064	-	6.356	25.422	0.636	1.907	3.813	31.778	-
51	25.2	A/N	80x43	16	1.652	15.031	0.540	16.683	0.064	-	6.356	25.422	0.636	1.907	3.813	31.778	-
52	25.2	A/N	80x60	16	1.430	15.253	0.350	16.683	0.064	-	6.356	25.422	0.636	1.907	3.813	31.778	-
53	40.0	A/N	132x25	16	3.168	11.200	1.248	14.368	0.064	-	5.600	26.400	0.000	1.800	3.800	32.000	+
54	40.0	A/N	132x30	16	1.376	15.360	0.352	16.736	0.064	-	5.600	26.400	0.000	1.800	3.800	32.000	-
55	40.0	A/N	132x43	16	1.600	15.136	0.576	16.736	0.064	-	5.600	26.400	0.000	1.800	3.800	32.000	-
56	40.0	A/N	132x60	16	1.376	15.360	0.352	16.736	0.064	-	5.600	26.400	0.000	1.800	3.800	32.000	-
57	44.9	A/N	132x25	16	3.079	11.225	1.219	14.304	0.064	-	5.612	26.459	-0.200	1.804	4.009	32.071	+
58	44.9	A/N	132x30	16	1.315	15.394	0.321	16.709	0.064	-	5.612	26.459	-0.200	1.804	4.009	32.071	-
59	44.9	A/N	132x43	16	1.539	15.170	0.417	16.709	0.064	-	5.612	26.459	-0.200	1.804	4.009	32.071	-
5A	44.9	A/N	132x60	16	1.315	15.394	0.321	16.709	0.064	-	5.612	26.459	-0.200	1.804	4.009	32.071	-
5B	36.0	APA	800x600	16	0.711	17.067	0.028	17.715	0.057	-	6.222	22.222	0.667	3.500	2.028	28.660	-
5B	50.35	APA	800x600	16	1.395	12.489	0.479	13.883	0.125	+	4.926	15.889	0.794	2.066	2.066	20.814	+
5C	50.35	APA	640x400	256	1.557	12.711	0.413	14.268	0.064	+	6.356	25.422	0.556	1.668	4.131	31.778	-
5C	25.2	APA	640x400	256	1.577	12.711	0.413	14.268	0.064	+	6.356	25.422	0.636	1.907	3.813	31.778	-
5D	50.35	APA	640x480	256	1.430	15.253	0.350	16.683	0.064	-	6.356	25.422	0.556	1.668	4.131	31.778	-
5D ¹	25.2	APA	640x480	256	1.430	12.253	0.350	16.683	0.064	-	6.356	25.422	0.636	1.907	3.813	31.778	-
5E	72.0	APA	800x600 (I)	256	0.711	17.067	0.028	17.778	0.057	-	6.222	22.222	0.667	3.500	2.028	28.660	-
5E ¹	36.0	APA	800x600 (NI)	256	0.711	17.067	0.028	17.778	0.057	-	6.222	22.222	0.667	3.500	2.028	28.660	-
5E ²	50.3	APA	800x600 (NI)	256	1.395	12.489	0.479	13.883	0.125	+	4.926	15.889	0.794	2.066	2.066	20.814	+
5F ¹	44.9	APA	1024x768 (I)	16	0.873	10.810	0.155	11.683	0.056	+	5.345	22.806	0.204	1.260	3.956	28.151	+
5F	65.0	APA	1024x768 (NI)	16	0.945	15.785	0.329	16.731	0.041	+	4.800	15.754	0.615	1.108	3.077	20.554	+
5F ²	75.0	APA	1024x768	16	0.673	13.599	0.053	14.272	0.106	+	4.053	13.653	0.320	1.920	1.813	17.707	+
60	44.9	APA	1024x768(I)	4	0.873	10.810	0.155	11.683	0.056	+	5.345	22.806	1.069	1.782	2.494	28.151	+
61	44.9	APA	768x1024(I)	16	0.791	13.501	0.119	14.292	0.040	+	9.265	17.105	-1.782	4.633	2.494	28.151	+
70/71	77.0	APA	512x480	32/64K	1.430	15.253	0.350	16.683	0.064	-	6.356	25.422	0.636	1.907	3.813	31.778	-

¹Same timing for 32K and 64K color modes

²Based on VESA (Video Electronics Standards Association) standards VS900502 and VS910801



TVGA9000C DATA SHEET

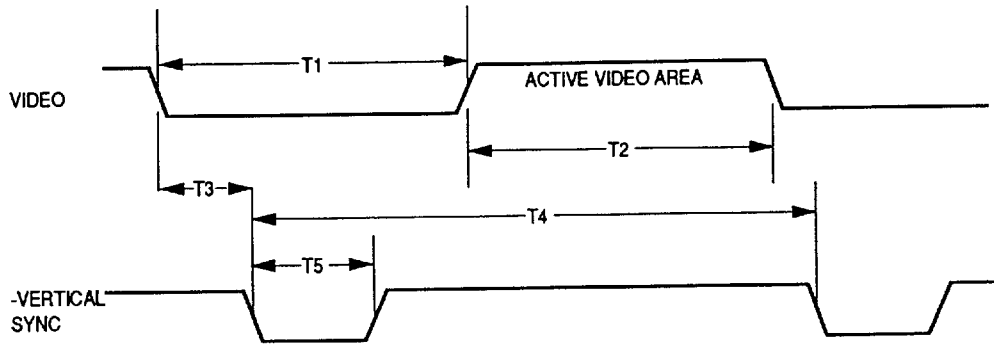


Figure 5-A. Vertical Timing (ms)

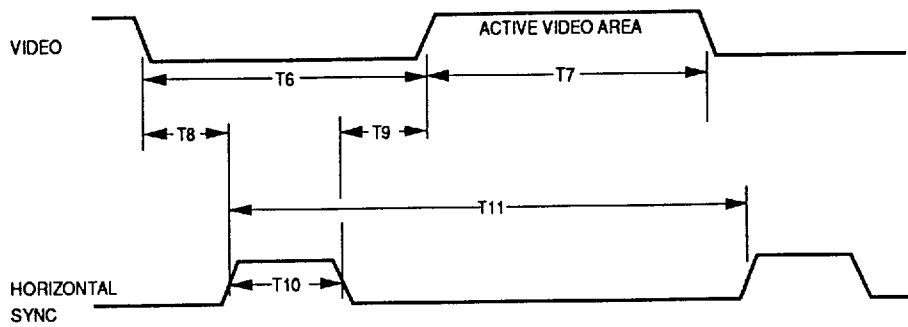


Figure 5-B. Horizontal Timing (μs)

TVGA9000C DATA SHEET

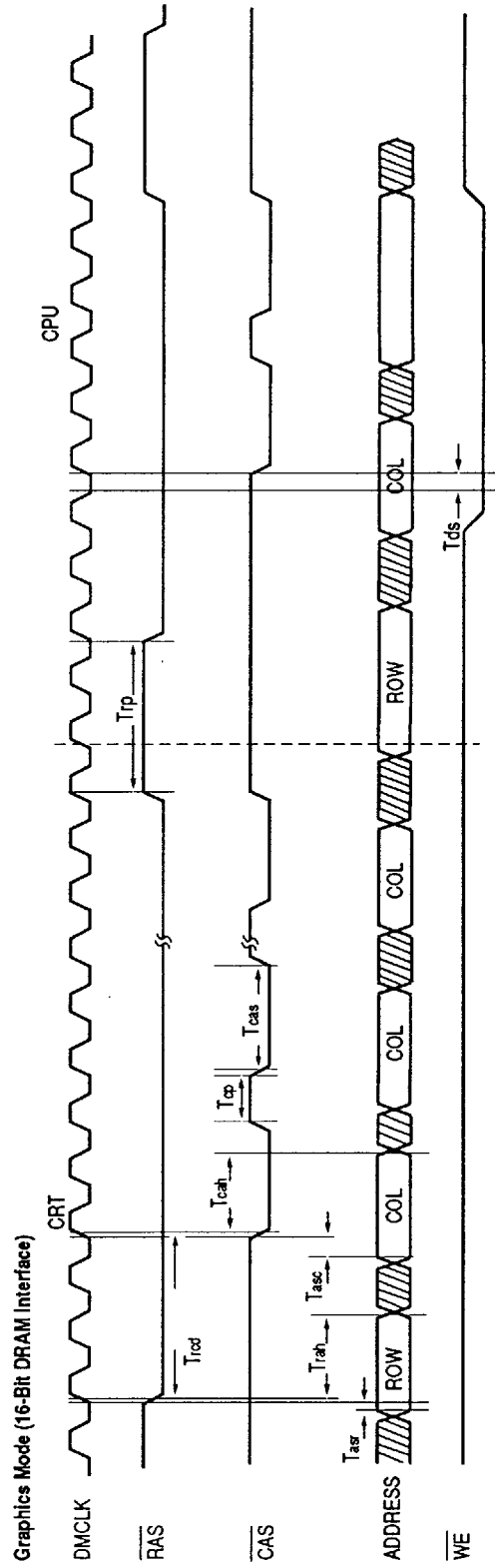
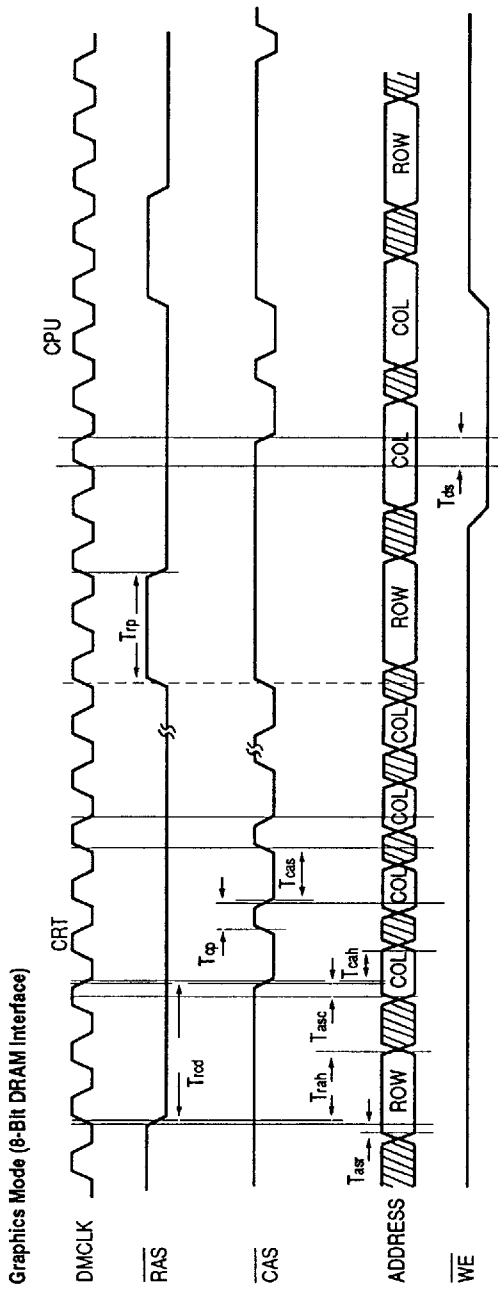


Figure 6-A. Trident TVGA9000C DRAM Timing (Graphics)



TVGA9000C DATA SHEET

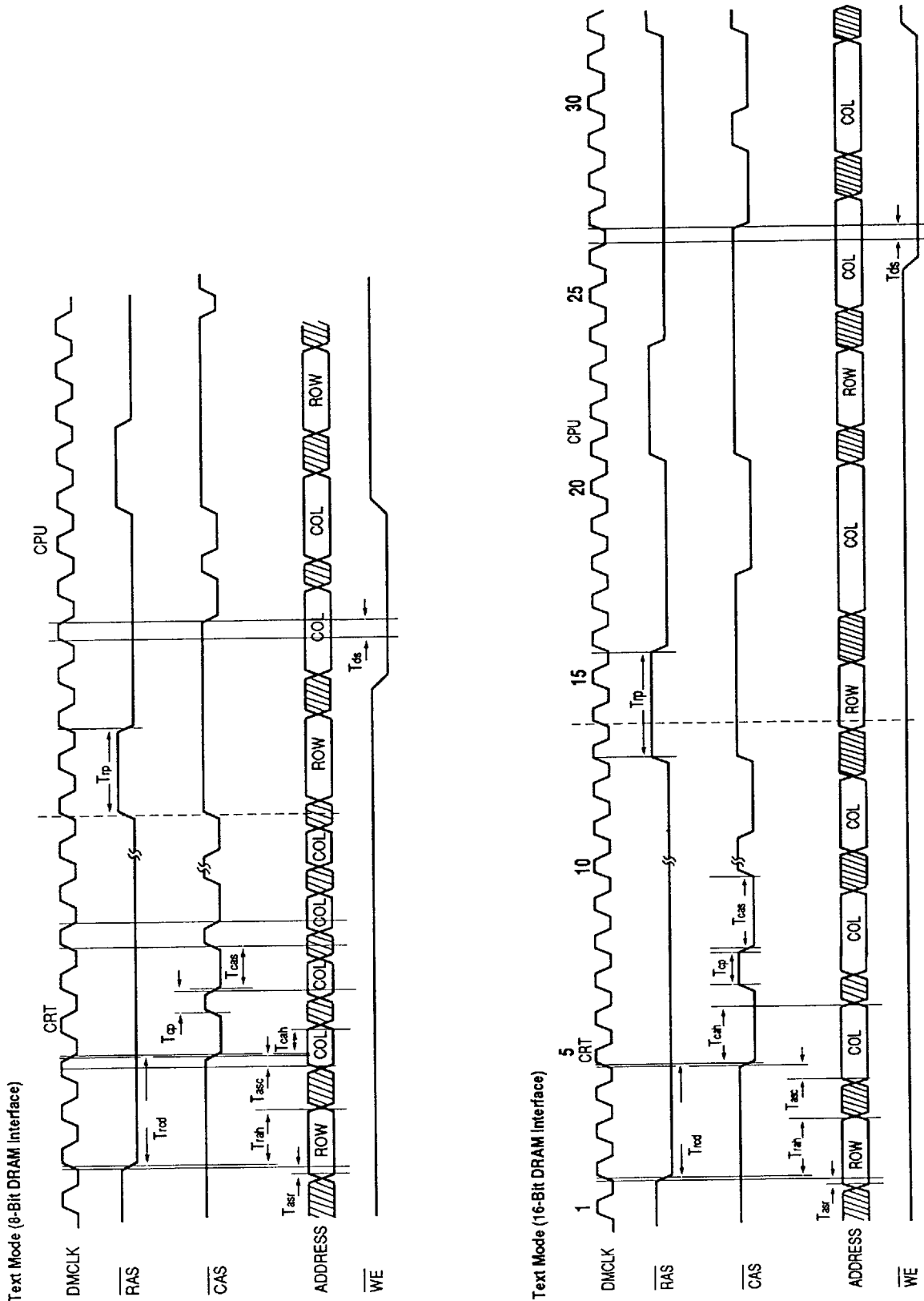


Figure 6-B. Trident TVGA9000C DRAM Timing (Text)

TVGA9000C DATA SHEET

Table 10. Worst Case Memory Timing Parameters¹

Parameter	8 bit DRAM Interface	16 bit DRAM Interface
Trcd 1	$2.5t + 1.5ns$	$3t + 1.5ns$
Trah 2	$1.5t + 2ns$	$2t + 2ns$
Tasr 3	≥ 0	≥ 0
Tasc 4	$\geq 0.5t$	$\geq t$
Tcah 5	t	$2t$
Tcp 6	$0.5t - 2.5ns$	$t - 5ns$
Tcas 7	$t - 4ns$	$2t - 6.5ns$
Tds 8	≥ 0	≥ 0
Trp 9	$2t - 1.5ns$	$3t - 4ns$
Test Load	25pf	50pf

¹($t=1/DMCLK$)



TVGA9000C DATA SHEET

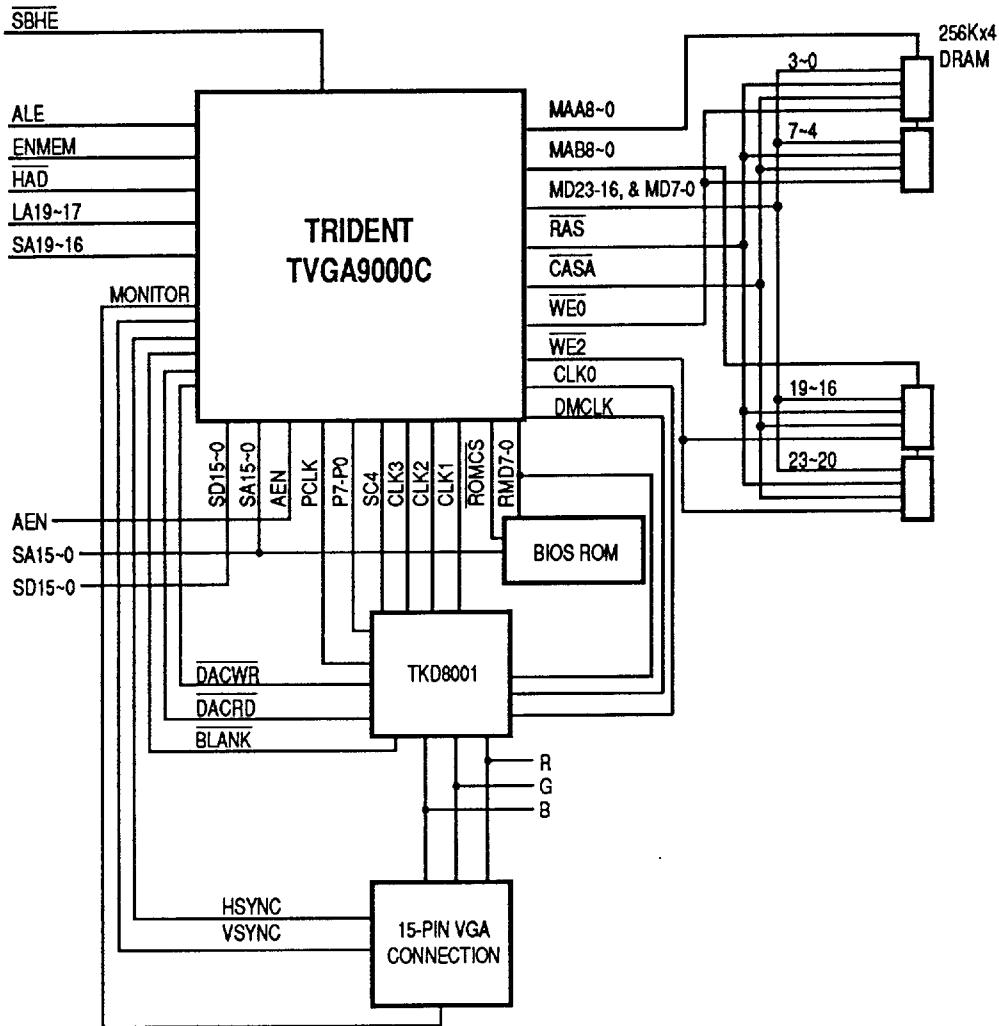


Figure 7. Application For Four 256Kx4 DRAM (ISA Bus)

TVGA9000C DATA SHEET

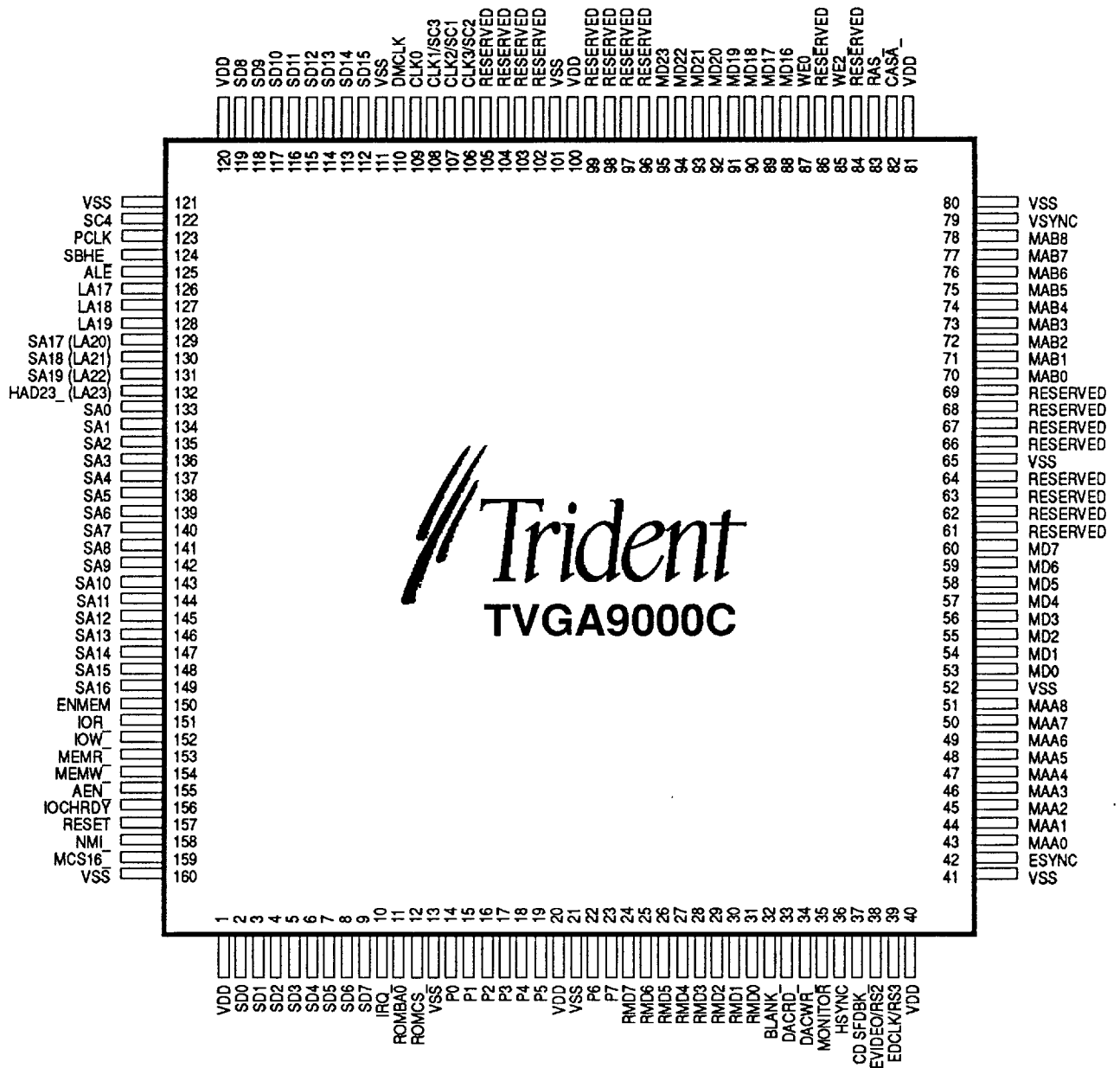


Figure 8-A. TVGA9000C Pin-Out (ISA Bus)



TVGA9000C DATA SHEET

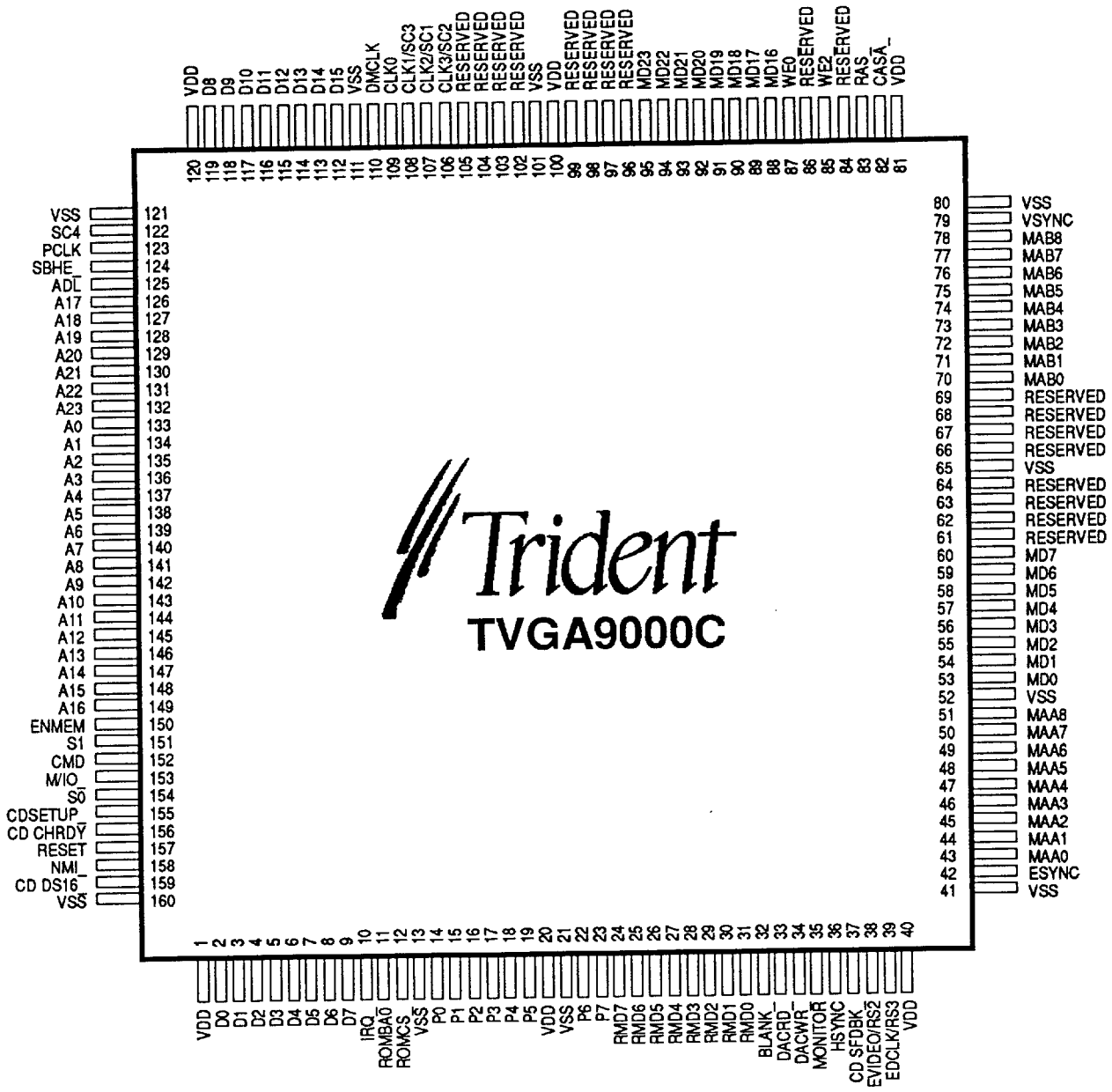


Figure 8-B. TVGA9000C Pin-Out (MCA Bus)



Table 11. TVGA9000C Pin Description

Pin	Pin Type	Pin Number	Description
<i>Host Interface</i>			
<i>a. AT Bus Signals</i>			
$\overline{\text{IOR}}$	I	151	I/O read strobe
$\overline{\text{IOW}}$	I	152	I/O write strobe
$\overline{\text{MEMR}}$	I	153	Memory read strobe
$\overline{\text{MEMW}}$	I	154	Memory write strobe
IOCHRDY	O	156	I/O channel ready
ALE	I	125	System address latch enable
AEN	I	155	Enable on-board I/O
LA19-LA17	I	128-126	Unlatched address bus, bit 19 to bit 17
SA19-SA17 ¹	I	131-129	Address bus, bit 19 to bit 17
(LA22-LA20)			(Unlatched address bus, bit 22 to bit 20)
$\overline{\text{HAD}}$ (LA23)	I	132	High address (Unlatched address bus bit 23)
SA16-SA0	I	149-133	Address Bus
$\overline{\text{MCS16}}$	O	159	Enable 16-bit transfer, open drain output
SD15-SD0	I/O	112-119,9-2	Data bus, bit 15 to bit 0
$\overline{\text{IRQ}}$	O	10	Interrupt request
$\overline{\text{SBHE}}$	I	124	Bus high-byte enable
ENMEM	I	150	Enable display memory
<i>b. MCA Bus Signals</i>			
$\overline{\text{S1-S0}}$	I	151,154	Status bit 1-0
$\overline{\text{CMD}}$	I	152	Command
$\overline{\text{M/IO}}$	I	153	Bus memory or I/O cycle
CD CHRDY	O	156	Channel ready
$\overline{\text{CD SETUP}}$	I	155	Card setup
A23-A0	I	132-126,149-133	System address bus, bit 23 to bit 0
$\overline{\text{CD DS16}}$	O	159	Card data size 16-bit
D15-D0	I/O	112-119,9-2	System data bus, bit 15 to bit 0
$\overline{\text{CD SFDBK}}$	O	37	Card select feedback
$\overline{\text{IRQ}}$	O	10	Interrupt request
$\overline{\text{SBHE}}$	I	124	Bus high-byte enable
ENMEM	I	150	Enable display memory
$\overline{\text{ADL}}$	I	125	Address decode latch
<i>Common Bus Signals</i>			
RESET	I	157	System reset (active high); the falling edge latches configuration information into internal registers from memory data lines and AD7-AD0
NMI	O	158	Non-maskable interrupt



TVGA9000C DATA SHEET

Table 11. TVGA9000C Pin Description - Continued

Pin	Pin Type	Pin Number	Description
<i>Display Memory Interface</i>			
$\overline{\text{CASA}}$	O	82	Column address strobe for Bank A
$\overline{\text{WE0}}, \overline{\text{WE2}}$	O	87, 85	Write enable
$\overline{\text{RAS}}$	O	83	Row address strobe
MAA8-MAA0	O	51-43	Multiplexing address bus of display memory Bank A
MAB8-MAB0	O	78-70	Multiplexed address bus of display memory Bank B
MD23-MD16	I/O	95-88	Memory data bus (bit 23 to bit 16)
MD7-MD0	I/O	60-53	Memory data bus (bit 7 to bit 0)
DMCLK	I	110	DRAM clock
<i>Video Interface</i>			
VSYNC	O	79	Vertical synchronization pulse, polarity programmable
HSYNC	O	36	Horizontal synchronization pulse, polarity programmable
RMD7-RMD0	I/O	24-31	ROM/DAC data bus bit 7 to bit 0
P7-P0	O	23-22, 19-14	Video DAC address, bit 7 to bit 0
PCLK	O	123	Pixel clock output
$\overline{\text{BLANK}}$	O	32	Blank output
$\overline{\text{DACRD}}$	O	33	DAC read strobe
$\overline{\text{DACWR}}$	O	34	DAC write strobe
MONITOR	I	35	Monitor type detect (analog monitor)
EVIDEO/RS2	I/O	38	External pixel data enable (feature connector)/extra DAC address (for true color mode)
EDCLK/RS3	I/O	39	External clock enable (feature connector)/extra DAC address (for true color mode)
ESYNC	I/O	42	External sync enable (feature connector)
<i>Clock Synthesizer Interface</i>			
CLK1/SC3	I/O	108	Video clock input/Clock select output 3 connect to Pin 28 of TKD8001.
CLK2/SC1	I/O	107	Video clock input/Clock select output 1 connect to Pin 26 of TKD8001.
CLK3/SC2	I/O	106	Video clock input/Clock select output 2 connect to Pin 27 of TKD8001.
CLK0	I	109	Video clock input
SC4	O	122	Clock select, output connect to Pin 29 of TKD8001.
<i>BIOS Interface</i>			
$\overline{\text{ROMCS}}$	O	12	BIOS EPROM chip select
ROMBA0	O	11	BIOS EPROM address bit 0

T V G A 9 0 0 0 C D A T A S H E E T



Table 11. TVGA9000C Pin Description - Continued

Pin	Pin Type	Pin Number	Description
<i>Other External Interfaces</i>			
MONITOR	I	35	Monitor type detect (analog monitors)
<i>Power Pins</i>			
VSS	GND	13,21,41,52,65,80 101,111,121,160	Ground
VDD	PWR	1,20,40,81,100,120	+5VDC

¹Pins definition in parentheses are for linear addressing



TVGA9000C DATA SHEET

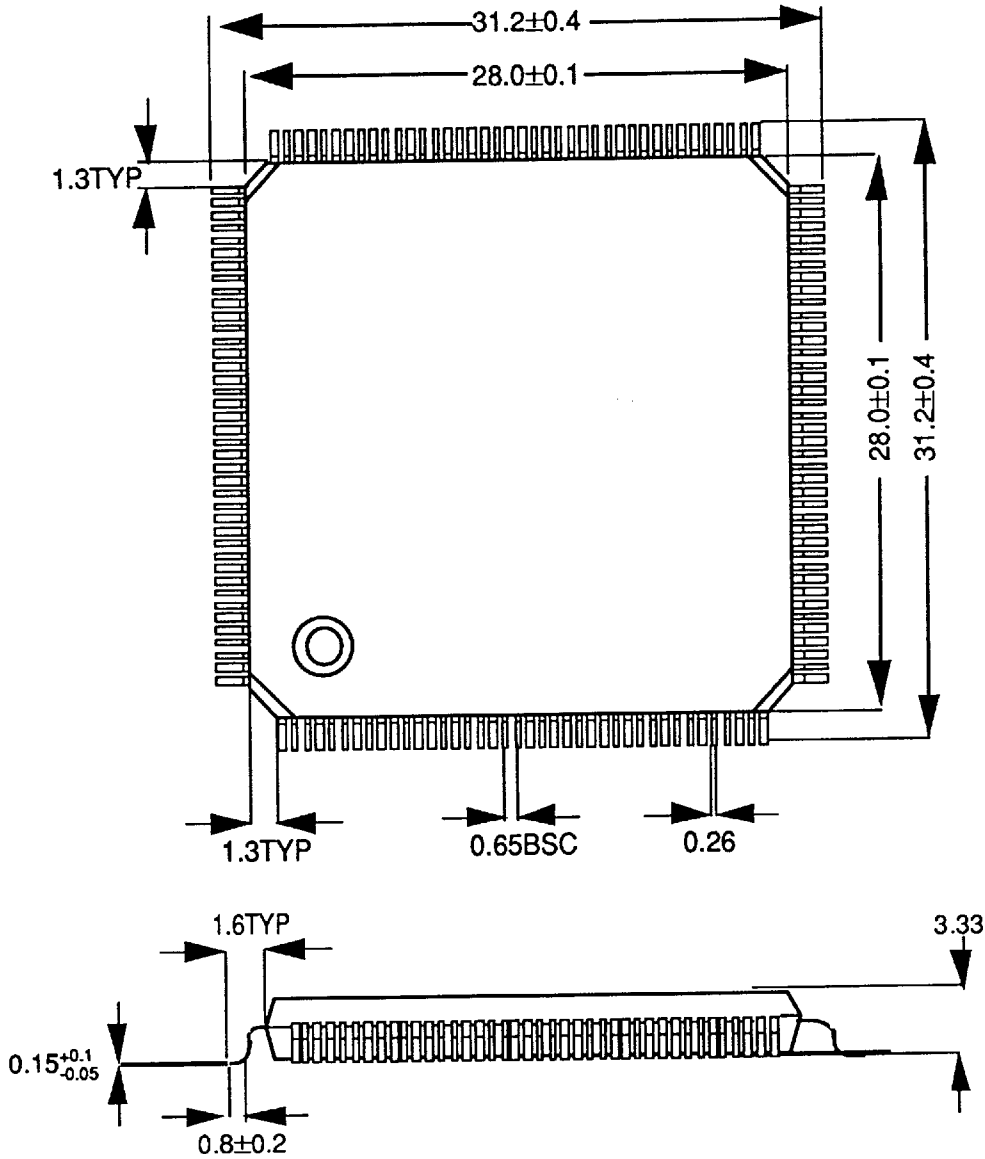


Figure 9. TVGA9000C Packaging PFP 160 Pins (dimensions in mm)

The information in this document is subject to change in order to improve reliability, design, or function without prior notice and does not represent a commitment on the part of Trident Microsystems, Inc.

In no event will Trident be liable for direct, indirect, special, incidental, or consequential damages arising out of the use or the inability to use the product or documentation, even if advised of the possibility of such damages.

No part of this reference manual may be reproduced or transmitted in any form or by any means without the prior written permission of Trident Microsystems, Inc.

TVGA is a trademark of Trident Microsystems, Inc. IBM is a registered trademark of International Business Machine Corp. Hercules is a registered trademark of Hercules Computer Technology, Inc. All other trademarks are registered to their respective companies.

© 1993 Trident Microsystems, Inc.
September 1993 Rev. 1