

PLEASE CHECK WWW.MOLEX.COM FOR LATEST PART INFORMATION

Part Number: **0194180018**
Status: **Active**
Overview: mx150l sealed connector system
Description: MX150L™ 4 Circuit Receptacle for 18-22 AWG Wire, without CPA

Documents:

3D Model
Drawing (PDF)
Packaging Specification (PDF)

Product Specification PS-19417-001 (PDF)
RoHS Certificate of Compliance (PDF)

Agency Certification

CSA LR18689
 UL E152602

General

Product Family Crimp Housings
 Series 19418
 MolexKits Yes
 Overview mx150l sealed connector system
 Product Literature Order No 987650-2181
 Product Name MX150L™

Physical

Circuits (maximum) 4
 Flammability 94V-0
 Gender Female
 Glow-Wire Compliant No
 Lock to Mating Part Yes
 Number of Rows 2
 Packaging Type Bag
 Panel Mount No
 Pitch - Mating Interface (in) 0.230 In
 Pitch - Mating Interface (mm) 5.84 mm
 Polarized to Mating Part Yes
 Stackable No
 Temperature Range - Operating -40°C to +125°C

Electrical

Current - Maximum per Contact 18A

Material Info

Reference - Drawing Numbers

Application Specification AS-19417-001
 Packaging Specification PK-19418-001
 Product Specification PS-19417-001
 Sales Drawing SD-19418-001

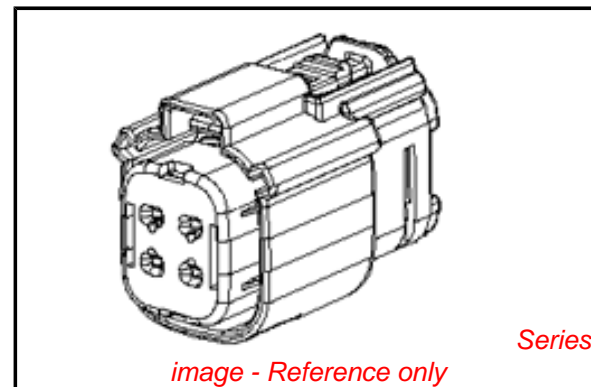


image - Reference only

EU RoHS

**ELV and RoHS
 Compliant**
REACH SVHC
 Not Reviewed
**Halogen-Free
 Status**

China RoHS



Not Reviewed

**Need more information on product
 environmental compliance?**

Email productcompliance@molex.com
 For a multiple part number RoHS Certificate of
 Compliance, [click here](#)

Please visit the [Contact Us](#) section for any
 non-product compliance questions.

Search Parts in this Series

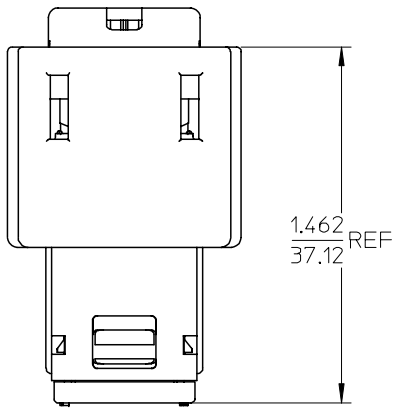
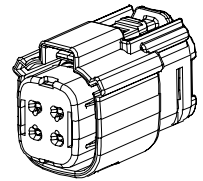
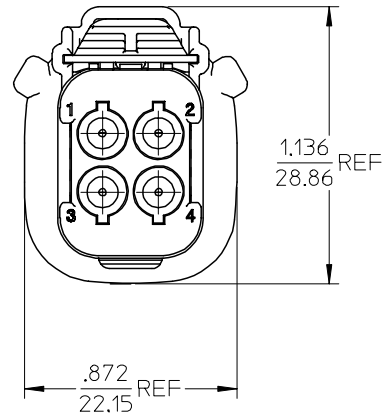
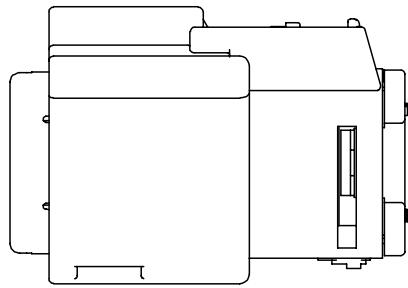
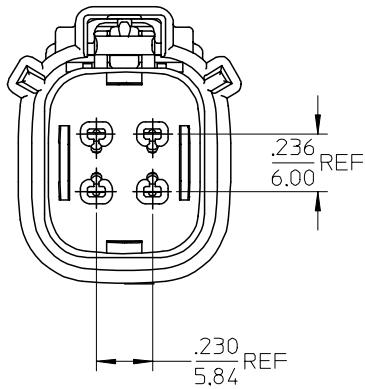
19418Series

Mates With

19419 , 19429

Use With

19420 Female Crimp Terminal



(B)	194180019	4	16-14	NO
(B)	194180018	4	22-18	
	194180004	4	16-14	YES
	194180005	4	22-18	
	MATERIAL NUMBER	CIRCUIT SIZE	UL WIRE AWG	CPA

NOTES:
 1. ASSEMBLY BULK PACKAGED PER PK-19417-001.
 2. USE CONNECTOR WITH FEMALE CRIMP TERMINAL: SERIES 19420.

EC NO: ETC2005-0046 DRWN:DMYRICK 2004/08/31 CHKD:JPALWICK 2004/09/01 APPR:RDEROSS 2004/09/01	QUALITY SYMBOLS	GENERAL TOLERANCES (UNLESS SPECIFIED)		SCALE 2:1	DESIGN UNITS INCH	THIRD ANGLE PROJECTION	REVISE ON CAD ONLY
	▽ = 0 ◻ = 0	4 PLACES ± --- ± --- 3 PLACES ± --- ± .015 2 PLACES ± 0.38 ± --- 1 PLACE ± --- ± --- ANGULAR ± 1 °	mm INCH	DIMENSION STYLE IN/MM	TITLE 4 WAY RECEPTACLE ASSEMBLY		
DESCRIPTION	DRAFT WHERE APPLICABLE	MUST REMAIN WITHIN DIMENSIONS		DRAWN BY JPALWICK	DATE 02/07/12	MATERIAL NO. SEE CHART	
REV				CHECKED BY RDEROSS	DATE 02/07/13	DOCUMENT NO. SD-19418-001	
				APPROVED BY RDEROSS	DATE 02/07/13	SHEET NO. 1 OF 1	
				THIS DRAWING CONTAINS INFORMATION THAT IS PROPRIETARY TO MOLEX INCORPORATED AND SHOULD NOT BE USED WITHOUT WRITTEN PERMISSION			