

PLEASE CHECK WWW.MOLEX.COM FOR LATEST PART INFORMATION

Part Number: [0194180022](#)
Status: **Active**
Overview: [mx150l sealed connector system](#)
Description: MX150L™ 8 Circuit Receptacle for 18-22 AWG Wire, without CPA

Documents:

[3D Model](#) [Product Specification PS-19417-001 \(PDF\)](#)
[Drawing \(PDF\)](#) [RoHS Certificate of Compliance \(PDF\)](#)
[Packaging Specification \(PDF\)](#)

Agency Certification

CSA LR18689
 UL E152602

General

Product Family Crimp Housings
 Series [19418](#)
 MolexKits Yes
 Overview [mx150l sealed connector system](#)
 Product Literature Order No 987650-2181
 Product Name MX150L™

Physical

Circuits (maximum) 8
 Flammability 94V-0
 Gender Female
 Glow-Wire Compliant No
 Lock to Mating Part Yes
 Number of Rows 2
 Packaging Type Bag
 Panel Mount No
 Pitch - Mating Interface (in) 0.230 In
 Pitch - Mating Interface (mm) 5.84 mm
 Polarized to Mating Part Yes
 Stackable No
 Temperature Range - Operating -40°C to +125°C

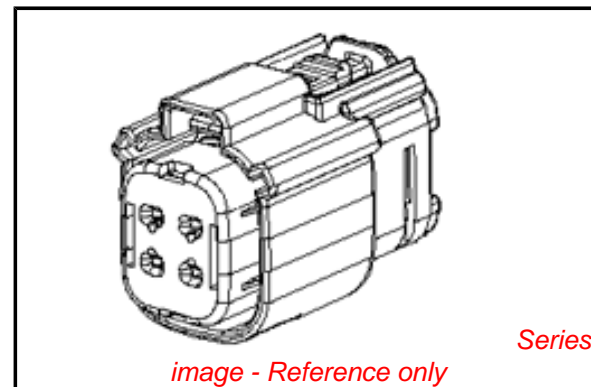
Electrical

Current - Maximum per Contact 18A

Material Info

Reference - Drawing Numbers

Application Specification AS-19417-001
 Packaging Specification PK-19418-001
 Product Specification PS-19417-001
 Sales Drawing SD-19418-003



EU RoHS

ELV and RoHS Compliant
REACH SVHC
 Not Reviewed
Halogen-Free Status
Not Reviewed

China RoHS



Need more information on product environmental compliance?

Email productcompliance@molex.com
 For a multiple part number RoHS Certificate of Compliance, [click here](#)

Please visit the [Contact Us](#) section for any non-product compliance questions.

Search Parts in this Series

[19418Series](#)

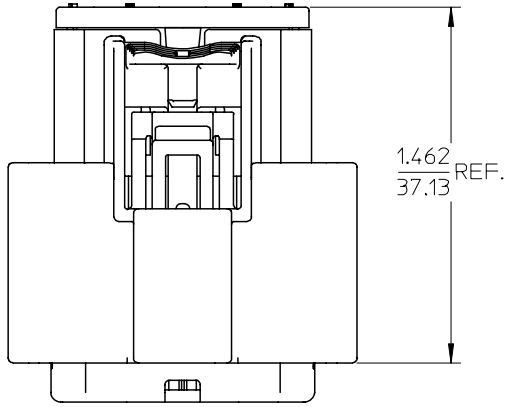
Mates With

[19419](#) , [19429](#)

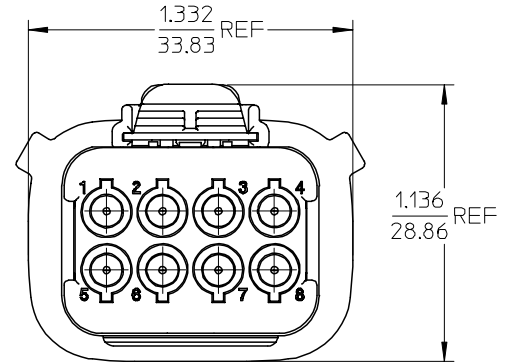
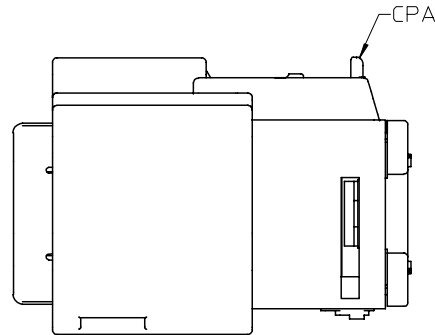
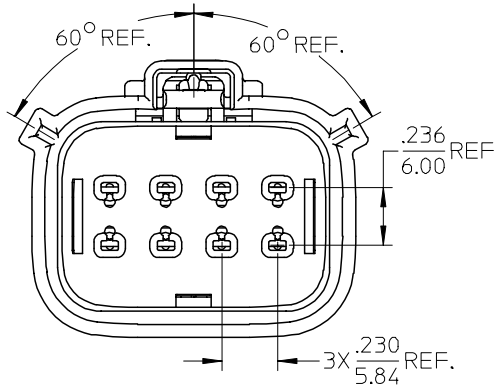
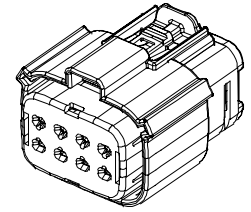
Use With

[19420](#) Female Crimp Terminal

10 9 8 7 6 5 4 3 2 1



194180023	16-14	NO
194180022	22-18	
194180002	16-14	YES
194180001	22-18	
MATERIAL NUMBER	UL WIRE AWG	CPA



NOTES:

- MATERIALS:
HOUSING: POLYESTER (PBT), GLASS FILLED, UL94 V-0,
COLOR: BLACK.
SEALS: SILICONE RUBBER.
- PRODUCT SPECIFICATION: PS-19417-001.
- PACKAGING SPECIFICATION: PK-19418-001.
- MATES WITH: 19419 SERIES PLUG ASSEMBLIES.
- USE CONNECTOR WITH FEMALE CRIMP TERMINAL SERIES 19420.

REVISED EC NO: DRW: JPAMLCK 2005/08/30 CHKD: JPAMLCK 2005/09/12 APPR: JPAMLCK 2005/09/12 B1 REV	QUALITY SYMBOLS ▽=0 ▽=0	GENERAL TOLERANCES (UNLESS SPECIFIED)		DIMENSION STYLE IN/MM		SCALE 1:1	DESIGN UNITS INCH	THIRD ANGLE PROJECTION
		4 PLACES ± --- ± ---	DRAWN BY BRUPERT	DATE 12/06/02	TITLE 8 WAY RECEPTACLE ASSEMBLY, KEY A POLARIZATION			
		3 PLACES ± --- ± .015	CHECKED BY JPAWLICK	DATE 12/06/02				
		2 PLACES ± 0.38 ± ---	APPROVED BY RDEROSS	DATE 12/06/02	MOLEX INCORPORATED DOCUMENT NO. SD-19418-003			
1 PLACE ± --- ± ---	MATERIAL NO. SEE CHART		SHEET NO. 1 OF 1					
DRAFT WHERE APPLICABLE MUST REMAIN WITHIN DIMENSIONS				THIS DRAWING CONTAINS INFORMATION THAT IS PROPRIETARY TO MOLEX INCORPORATED AND SHOULD NOT BE USED WITHOUT WRITTEN PERMISSION				

9 8 7 6 5 4 3 2 1