

PLEASE CHECK WWW.MOLEX.COM FOR LATEST PART INFORMATION

Part Number: [0314043200](#)
Status: **Active**
Overview: mx64 sealed single row connectors
Description: 2.54mm (.100") MX64™ Sealed Single Row Crimp Housing, Kaizan Terminal, Gray, 3 Circuits, Mating Part: Keying B, Lock None

Documents:

[3D Model](#) [Product Specification PS-31402-000 \(PDF\)](#)
[Drawing \(PDF\)](#) [RoHS Certificate of Compliance \(PDF\)](#)

General

Product Family Crimp Housings
 Series 31404
 More Detailed Tech Information <http://ewcap.uscarteams.org>
 Overview [mx64 sealed single row connectors](#)
 Product Name MX64™, USCAR

Physical

Circuits (maximum) 3
 Gender Female
 Glow-Wire Compliant No
 Keying to Mating Part Yes
 Lock to Mating Part None
 Number of Rows 1
 Packaging Type Bag
 Panel Mount No
 Pitch - Mating Interface (in) 0.100 In
 Pitch - Mating Interface (mm) 2.54 mm
 Temperature Range - Operating -40°C to +125°C

Electrical

Current - Maximum per Contact 7A

Material Info

Reference - Drawing Numbers

Packaging Specification PK-31300-256
 Product Specification PS-31402-000
 Sales Drawing SD-31402-211



EU RoHS

ELV and RoHS Compliant
REACH SVHC Contains SVHC: No
Halogen-Free Status
Not Reviewed

China RoHS



Need more information on product environmental compliance?

Email productcompliance@molex.com
 For a multiple part number RoHS Certificate of Compliance, [click here](#)

Please visit the [Contact Us](#) section for any non-product compliance questions.

Search Parts in this Series

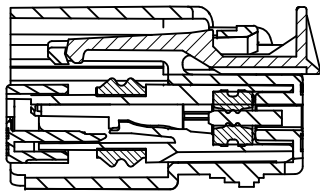
31404Series

Mates With

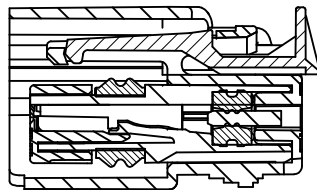
Sensors, Other USCAR Interfaces

Use With

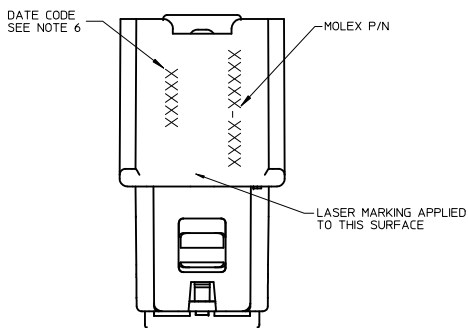
Yazaki Kaizan Terminal



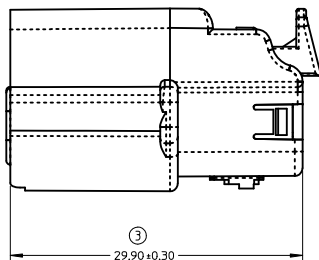
SECTION A-A
TPA SHOWN IN AS-SHIPPED
PRE-LOCKED POSITION
SEE NOTE 3



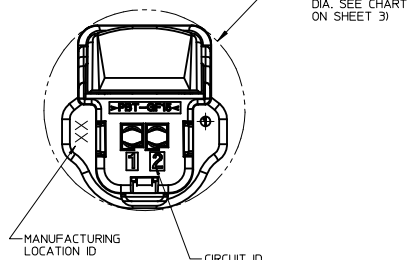
SECTION A-A
TPA SHOWN IN FINAL
LOCKED POSITION



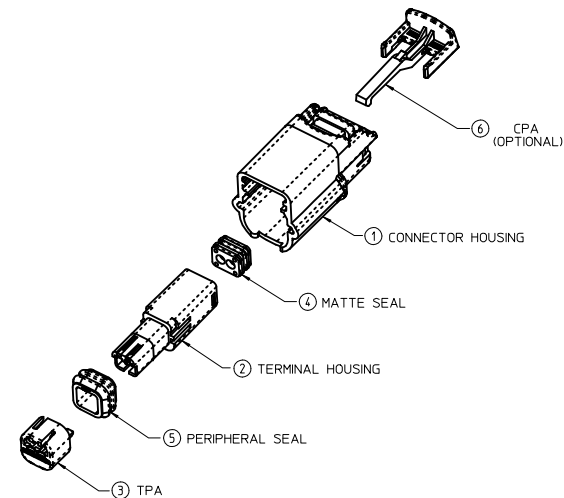
BOTTOM VIEW



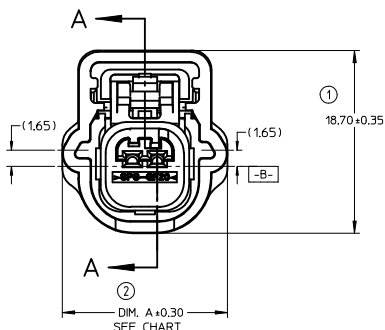
RIGHT SIDE VIEW



BACK VIEW

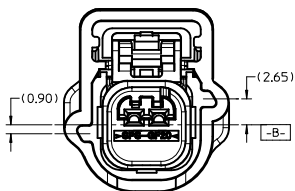


ITEM	DESCRIPTION	COLOR
1	CONNECTOR HOUSING	SEE CHART
2	TERMINAL HOUSING	BLACK
3	TPA	NATURAL
4	MATTE SEAL	SEE CHART
5	PERIPHERAL SEAL	SEE CHART
6	CPA - OPTIONAL	RED

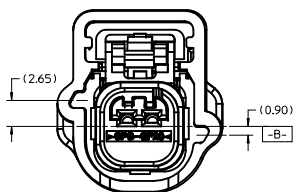


FRONT VIEW

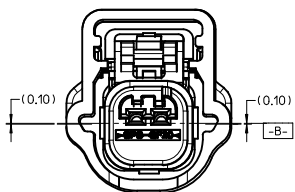
POLARIZATION A



POLARIZATION B



POLARIZATION C



POLARIZATION D

PART NUMBER LEGEND
CONNECTOR ASSEMBLY

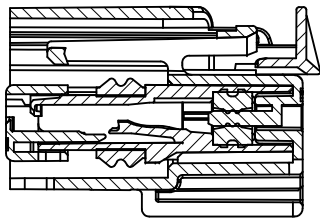
- 3140X-XXXX
- SEAL PLUG CONFIGURATION (AS MOLDED)
0 - ALL CIRCUITS OPEN
1-9 SEE CHART
- CPA OPTION
0 OR 2 - WITHOUT CPA
1 OR 3 - WITH CPA
4 - WITHOUT CPA, WITH CLIPSLOT
5 - WITH CPA, WITH CLIPSLOT
- USCAR POLARIZATION OPTION
1 - POLARIZATION OPTION A
2 - POLARIZATION OPTION B
3 - POLARIZATION OPTION C
4 - POLARIZATION OPTION D
5 - POLARIZATION OPTION B, BLACK
6 - POLARIZATION OPTION C, BLACK
7 - POLARIZATION OPTION D, BLACK
- CIRCUIT SIZE 2, 3, 4, 5, 6 & 8
- TERMINAL OPTION
2 - TYCO/MOLEX GET 0.64
3 - MOLEX 0.64
4 - YAZAKI KAIZAN 0.64

CONNECTOR ASSEMBLY WITHOUT CLIPSLOT

NOTES:

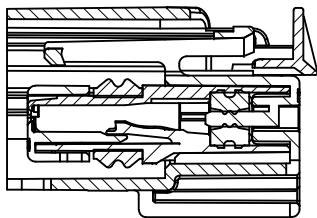
- DESIGNED TO MATE WITH DEVICE CONNECTION AS SPECIFIED IN USCAR INTERFACE DRAWINGS FOR SINGLE ROW SEALED 0.64 SYSTEMS. SEE WWW.USCARTEAMS.ORG.
- ASSEMBLY SHIPPED WITH TPA IN PRE-LOCKED POSITION (SEE SECTION A-A). UPON FULL TERMINAL ASSEMBLY, TPA MUST BE SEATED TO THE FINAL LOCKED POSITION.
- TPA'S MAY BECOME SEATED DURING TRANSIT. IF THIS OCCURS, TPA'S SHOULD BE MOVED TO THE PRE-LOCKED POSITION PRIOR TO FEMALE TERMINAL INSTALLATION. REFERENCE PRODUCT SPECIFICATION: PS-34646-001
- SYSTEM TO BE USED WITH WIRE WITHIN RANGE OF 22 AWG TO 18 AWG, WITH OUTSIDE WIRE DIAMETERS RANGING FROM 150MM TO 2.06MM.
- POLARIZATION FEATURE EFFECTIVENESS PER USCAR-2 PARAGRAPH 5.4.4 IS REDUCED WHEN TESTING ALL POLARIZATION OPTIONS: 100N MIN.
- DATE CODE: FIRST TWO DIGITS IS THE CALENDAR YEAR (EXAMPLE: 04 = 2004), THIRD THROUGH 5TH DIGIT DAY # OF THE CALENDAR YEAR (EXAMPLE: FEB. 3RD = '034').
- SEE SHEET #2 FOR CONNECTOR ASSEMBLY WITH CLIP SLOT.
- FOR CLIPSLOT CONNECTOR: CLIP OVERHANGS CONNECTOR, PLEASE CHECK APPLICATION (COULD CAUSE WIRE CHAFING)-SHORTER CLIP IS A RECOMMENDATION.

EC NO: UAU2010-1604 2010/04/01 DRAWNS:VZYL CHKD:RCARLSON 2004/09/28 APPR:VKOSHY 2010/04/28	QUALITY SYMBOLS ▽=0 ▽=0	GENERAL TOLERANCES (UNLESS SPECIFIED)		DIMENSION STYLE MM ONLY	SCALE 4:1	DESIGN UNITS METRIC	THIRD ANGLE PROJECTION
		4 PLACES ±.--- ±.--- 3 PLACES ±.--- ±.--- 2 PLACES ±0.13 ±.--- 1 PLACE ±0.3 ±.---	±.--- INCH ±.--- INCH ±.--- INCH ±.--- INCH	DRAWN BY RCARLSON 2003/09/25	DATE 2003/09/25	0.64 USCAR CONNECTOR SEALED SINGLE ROW ASSEMBLY	
DRAFT WHERE APPLICABLE MUST REMAIN WITHIN DIMENSIONS		MATERIAL NO. SEE CHART		DOCUMENT NO. SD-31402-211		MOLEX INCORPORATED	
		SIZE D		THIS DRAWING CONTAINS INFORMATION THAT IS PROPRIETARY TO MOLEX INCORPORATED AND SHOULD NOT BE USED WITHOUT WRITTEN PERMISSION		SHEET NO. 1 OF 5	



SECTION C-C

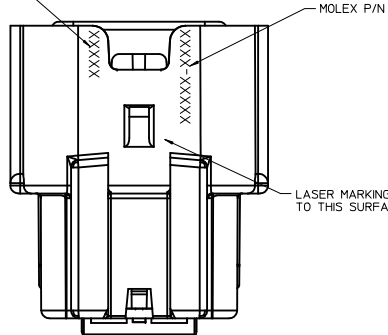
TPA SHOWN IN AS-SHIPED
PRE-LOCKED POSITION
SEE NOTE 3



SECTION C-C

TPA SHOWN IN FINAL
LOCKED POSITION

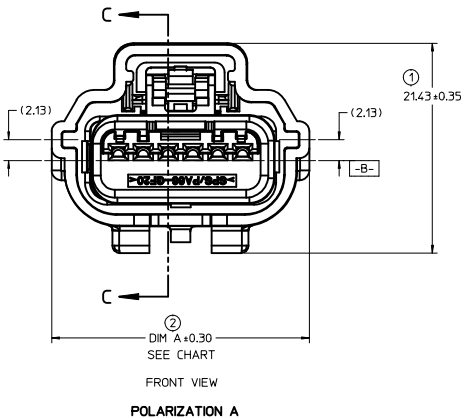
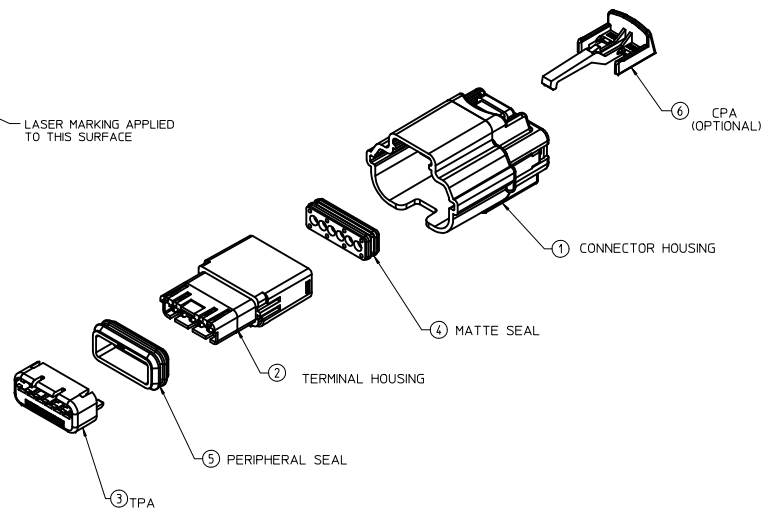
DATE CODE
SEE NOTE 6



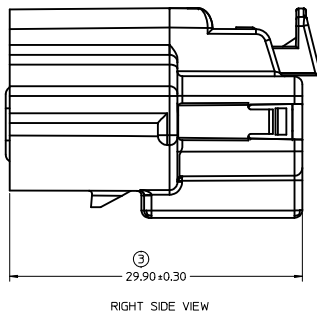
BOTTOM VIEW

MOLEX P/N

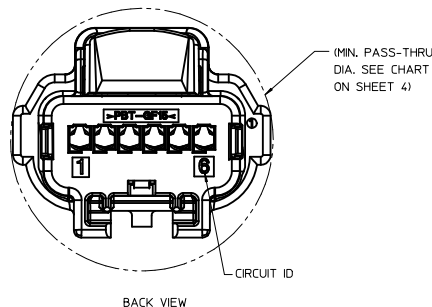
LASER MARKING APPLIED
TO THIS SURFACE



FRONT VIEW
POLARIZATION A



RIGHT SIDE VIEW



BACK VIEW

CONNECTOR ASSEMBLY WITH CLIPSLOT

ENTER DESCRIPTION IEC NO. UAU2010-1604 DRAWN BY: DRWNSYRZYL 2010/04/07 CHECKED BY: CHYKRCARLSON 2004/09/28 APPR: VKOSHY 2010/04/28 REV DESCRIPTION	QUALITY SYMBOLS ∇=0 ∇=0 ∇=0		GENERAL TOLERANCES (UNLESS SPECIFIED) <table border="1"> <tr> <th></th> <th>mm</th> <th>INCH</th> </tr> <tr> <td>4 PLACES</td> <td>± .05</td> <td>± .002</td> </tr> <tr> <td>3 PLACES</td> <td>± .03</td> <td>± .001</td> </tr> <tr> <td>2 PLACES</td> <td>± 0.13</td> <td>± .005</td> </tr> <tr> <td>1 PLACE</td> <td>± 0.3</td> <td>± .012</td> </tr> </table> ANGULAR ± 3°			mm	INCH	4 PLACES	± .05	± .002	3 PLACES	± .03	± .001	2 PLACES	± 0.13	± .005	1 PLACE	± 0.3	± .012	DIMENSION STYLE MM ONLY	SCALE 4:1	DESIGN UNITS METRIC	THIRD ANGLE PROJECTION
		mm	INCH																				
	4 PLACES	± .05	± .002																				
	3 PLACES	± .03	± .001																				
2 PLACES	± 0.13	± .005																					
1 PLACE	± 0.3	± .012																					
DRAFT WHERE APPLICABLE MUST REMAIN WITHIN DIMENSIONS			MATERIAL NO. SEE CHART		TITLE 0.64 USCAR CONNECTOR SEALED SINGLE ROW ASSEMBLY																		
DRAWN BY: RCARLSON 2003/09/25 CHECKED BY: RCARLSON 2004/09/28 APPROVED BY: VKOSHY 2010/03/25			DATE		MOLEX INCORPORATED																		
SHEET NO. 2 OF 5			DOCUMENT NO. SD-31402-211		MOLEX INCORPORATED																		

PART NUMBER WITHOUT CPA	PART NUMBER WITH CPA	CLIPSLOT OPTION	ROW/ CIRCUITS	KEY*	SEAL COLOR	CONNECTOR COLOR	WIDTH DIM (A)	MIN. PASS THRU DIA.	FEMALE TERMINAL SUPPLIER	USCAR FOOTPRINT DRAWING NO.	STATUS							
31402-2100	31402-2100	NO	1 X 2	A	BLUE	BLACK	16.88	(20.80)	TYCO OR MOLEX GET 0.64	064-S-002-1-202								
31402-2200	31402-2210			B		GRAY												
31402-2300	31402-2310			C		BROWN												
31402-2400	31402-2410			D		GREEN												
31402-2500	31402-2510			B		BLACK												
31402-2600	31402-2610			C		BLACK												
31402-2700	31402-2710			D		BLACK												
31403-2100	31403-2110			A		BLACK												
31403-2200	31403-2210			B		GRAY												
31403-2300	31403-2310			C		BROWN												
31403-2400	31403-2410			D		GREEN												
31403-2500	31403-2510			B		BLACK												
31403-2600	31403-2610			C		BLACK												
31403-2700	31403-2710			D		BLACK												
31404-2100	31404-2110			A		BLACK												
31404-2200	31404-2210			B		GRAY												
31404-2300	31404-2310			C		BROWN												
31404-2400	31404-2410			D		GREEN												
31404-2500	31404-2510			B		BLACK												
31404-2600	31404-2610			C		BLACK												
31404-2700	31404-2710			D		BLACK												
31402-3100	31402-3110			NO		1 X 3			A			RUST RED	BLACK	18.70	(22.00)	TYCO OR MOLEX GET 0.64	064-S-003-1-201	
31402-3200	31402-3210								B				GRAY					
31402-3300	31402-3310								C				BROWN					
31402-3400	31402-3410	D	GREEN															
31402-3500	31402-3510	B	BLACK															
31402-3600	31402-3610	C	BLACK															
31402-3700	31402-3710	D	BLACK															
31403-3100	31403-3110	A	BLACK															
31403-3200	31403-3210	B	GRAY															
31403-3300	31403-3310	C	BROWN															
31403-3400	31403-3410	D	GREEN															
31403-3500	31403-3510	B	BLACK															
31403-3600	31403-3610	C	BLACK															
31403-3700	31403-3710	D	BLACK															
31404-3100	31404-3110	A	BLACK															
31404-3200	31404-3210	B	GRAY															
31404-3300	31404-3310	C	BROWN															
31404-3400	31404-3410	D	GREEN															
31404-3500	31404-3510	B	BLACK															
31404-3600	31404-3610	C	BLACK															
31404-3700	31404-3710	D	BLACK															
31402-4100	31402-4110	NO	1 X 4		A		BLUE	BLACK	21.25	(22.34)	TYCO OR MOLEX GET 0.64		064-S-004-1-202					
31402-4200	31402-4210				B			GRAY										
31402-4300	31402-4310				C			BROWN										
31402-4400	31402-4410			D	GREEN													
31402-4500	31402-4510			B	BLACK													
31402-4600	31402-4610			C	BLACK													
31402-4700	31402-4710			D	BLACK													
31403-4100	31403-4110			A	BLACK													
31403-4200	31403-4210			B	GRAY													
31403-4300	31403-4310			C	BROWN													
31403-4400	31403-4410			D	GREEN													
31403-4500	31403-4510			B	BLACK													
31403-4600	31403-4610			C	BLACK													
31403-4700	31403-4710			D	BLACK													
31404-4100	31404-4110			A	BLACK													
31404-4200	31404-4210			B	GRAY													
31404-4300	31404-4310			C	BROWN													
31404-4400	31404-4410			D	GREEN													
31404-4500	31404-4510			B	BLACK													
31404-4600	31404-4610			C	BLACK													
31404-4700	31404-4710			D	BLACK													

TOOLED BUT NOT VALIDATED

EC NO: UAU2010-1604 DRAWN BY: CHYKORCARLSON CHECKED BY: CHYKORCARLSON APPR: VKOSHY 2010/04/28 2010/04/28 2010/04/28	QUALITY SYMBOLS	GENERAL TOLERANCES (UNLESS SPECIFIED)	DIMENSION STYLE	SCALE	DESIGN UNITS	THIRD ANGLE PROJECTION	
	▽=0 ▽=0	4 PLACES ± mm ± INCH 3 PLACES ± mm ± INCH 2 PLACES ± 0.13 ± INCH 1 PLACE ± 0.3 ± INCH ANGULAR ± 3°	MM ONLY	4:1	METRIC	DRAWN BY: RCARLSON CHECKED BY: RCARLSON APPROVED BY: VKOSHY DATE: 2003/09/25 DATE: 2004/09/28 DATE: 2010/03/25	
	DRAFT WHERE APPLICABLE MUST REMAIN WITHIN DIMENSIONS			MATERIAL NO. SEE CHART DOCUMENT NO. SD-31402-211			TITLE: 0.64 USCAR CONNECTOR SEALED SINGLE ROW ASSEMBLY MOLEX INCORPORATED
				SHEET NO. 3 OF 5 THIS DRAWING CONTAINS INFORMATION THAT IS PROPRIETARY TO MOLEX INCORPORATED AND SHOULD NOT BE USED WITHOUT WRITTEN PERMISSION			

PART NUMBER WITHOUT CPA	PART NUMBER WITH CPA	CLIP/SLOT OPTION	ROW/ CIRCUITS	KEY*	SEAL COLOR	CONNECTOR COLOR	WIDTH DIM (A)	MIN. PASS THRU DIA.	FEMALE TERMINAL SUPPLIER	USCAR FOOTPRINT DRAWING NO.	STATUS
31402-5100	31402-5110	NO	1 X 5	A	RUST RED	BLACK	23.80	(24.28)	TYCO OR MOLEX GET 0.64	064-S-005-1-Z02	
31402-5200	31402-5210			B		GRAY					
31402-5300	31402-5310			C		BROWN					
31402-5400	31402-5410			D		GREEN					
31402-5500	31402-5510			B		BLACK					
31402-5600	31402-5610			C		BLACK					
31402-5700	31402-5710			D		BLACK					
31403-5100	31403-5110			A		BLACK					
31403-5200	31403-5210			B		GRAY					
31403-5300	31403-5310			C		BROWN					
31403-5400	31403-5410			D		GREEN					
31403-5500	31403-5510			B		BLACK					
31403-5600	31403-5610			C		BLACK					
31403-5700	31403-5710			D		BLACK					
31404-5100	31404-5110			A		BLACK					
31404-5200	31404-5210			B		GRAY					
31404-5300	31404-5310	C	BROWN								
31404-5400	31404-5410	D	GREEN								
31404-5500	31404-5510	B	BLACK								
31404-5600	31404-5610	C	BLACK								
31404-5700	31404-5710	D	BLACK								
31402-6100	31402-6110	NO	1 X 6	A	BLUE	BLACK	26.33	(26.82)	TYCO OR MOLEX GET 0.64	064-S-006-1-Z02	
31402-6200	31402-6210			B		GRAY					
31402-6300	31402-6310			C		BROWN					
31402-6400	31402-6410			D		GREEN					
31402-6500	31402-6510			B		BLACK					
31402-6600	31402-6610			C		BLACK					
31402-6700	31402-6710			D		BLACK					
31403-6100	31403-6110			A		BLACK					
31403-6200	31403-6210			B		GRAY					
31403-6300	31403-6310			C		BROWN					
31403-6400	31403-6410			D		GREEN					
31403-6500	31403-6510			B		BLACK					
31403-6600	31403-6610			C		BLACK					
31403-6700	31403-6710			D		BLACK					
31404-6100	31404-6110			A		BLACK					
31404-6200	31404-6210			B		GRAY					
31404-6300	31404-6310	C	BROWN								
31404-6400	31404-6410	D	GREEN								
31404-6500	31404-6510	B	BLACK								
31404-6600	31404-6610	C	BLACK								
31404-6700	31404-6710	D	BLACK								

EC NO: UAU2010-1604 DRAWN BY: DRWNSVERZYL 2010/04/07 CHECKED BY: CHYKRCARLSON 2004/09/28 APPR: VKOSHY 2010/04/28 REV DESCRIPTION	QUALITY SYMBOLS	GENERAL TOLERANCES (UNLESS SPECIFIED)	DIMENSION STYLE	SCALE	DESIGN UNITS	THIRD ANGLE PROJECTION
	▽=0 ▽=0	mm INCH 4 PLACES ± --- ± --- 3 PLACES ± --- ± --- 2 PLACES ± 0.13 ± --- 1 PLACE ± 0.3 ± --- ANGULAR ± 3 °	MM ONLY	4:1	METRIC	
	DRAFT WHERE APPLICABLE MUST REMAIN WITHIN DIMENSIONS	DRAWN BY: RCARLSON 2003/09/25 CHECKED BY: RCARLSON 2004/09/28 APPROVED BY: VKOSHY 2010/03/25	TITLE: 0.64 USCAR CONNECTOR SEALED SINGLE ROW ASSEMBLY			
	MATERIAL NO: SEE CHART SIZE: D	DOCUMENT NO: SD-31402-211 SHEET NO: 4 OF 5	MOLEX INCORPORATED			

