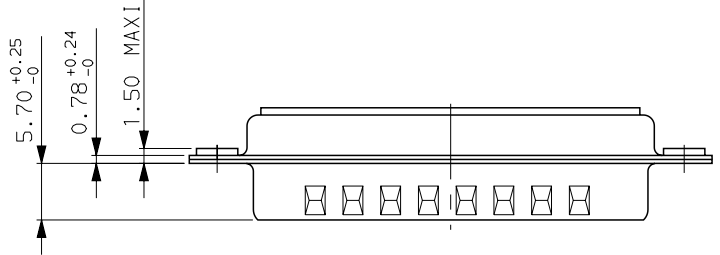
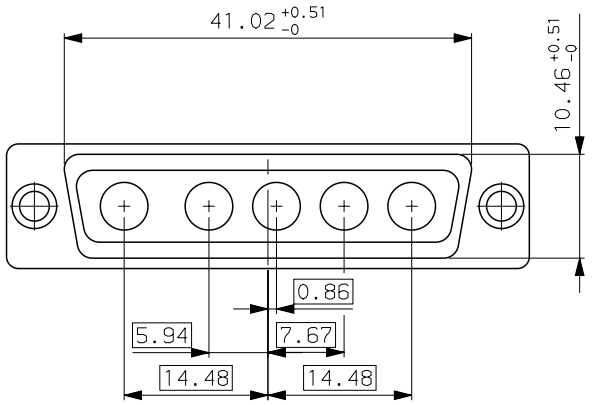
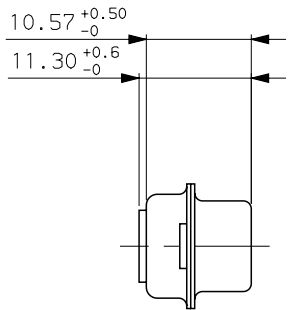
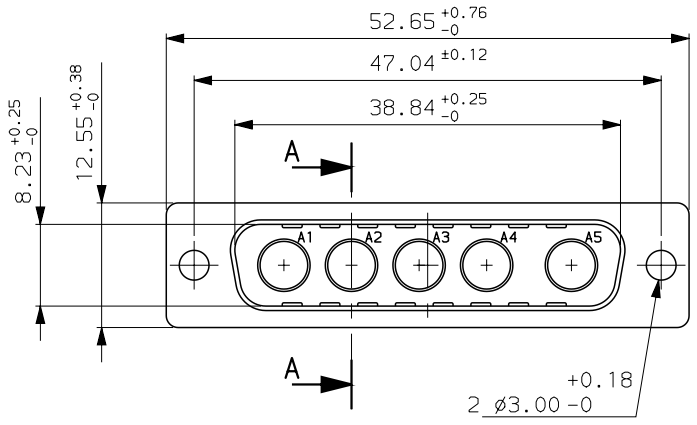


GENERAL CHARACTERISTICS : SEE DRAWING C01-8639-0001



Core range
DB5W5PA00
PART NUMBER

c	24/10/03	update	
ISS	DATE	Latest modification by : BART.S	MOD N°
Designed by: LENOIR date 23/11/94			Type of drawing: CLIENT
TITLE : MALE CONNECTOR 5W5			SHEET 1/1
without accessories			
SCALE: 2.0			
	FRAMATOME CONNECTORS FRANCE		This document is the property of FRAMATOME CONNECTORS FRANCE. It must not be reproduced or communicated without permission in writing from the owners.
	Rue Louis Breguet - BP 05 72024 LE MANS Cedex Tel. 33 (16) 43.84.08.43		
FORMAT A3	SOURIAU DRG N° C01-8639-0564-1		PROJECT M94D001

