

PLEASE CHECK WWW.MOLEX.COM FOR LATEST PART INFORMATION

Part Number: **0917802001**
Status: **Active**
Overview: rast_25_connector_system
Description: 2.50mm (.098") Pitch Appli-Mate RAST 2.5 IDT Housing, With Side Latches, Female, 7 Circuits, Position Keys A & H, Polarising Rib Between 1 & 2 and 5 & 6

Documents:

[3D Model](#) [Product Specification PS-99020-0040 \(PDF\)](#)
[Drawing \(PDF\)](#) [RoHS Certificate of Compliance \(PDF\)](#)

Agency Certification

CSA LR19980
 UL E29179

General

Product Family IDT and Solder Connectors
 Series [91780](#)
 Crimp Quality Equipment Yes
 Overview [rast_25_connector_system](#)
 Product Name RAST 2.5
 Use With RAST standard interface

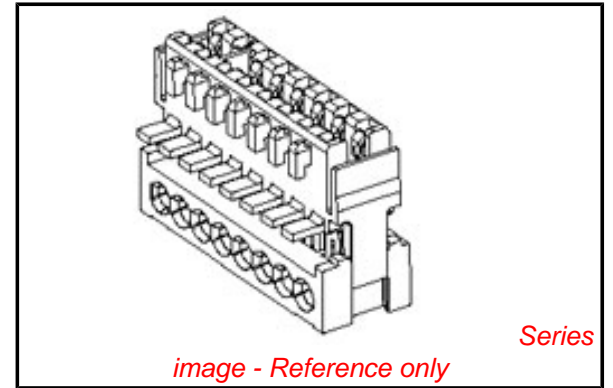
Physical

Circuits (Loaded) 7
 Circuits (maximum) 7
 Color - Resin Natural (White)
 Durability (mating cycles max) 10
 Flammability 94V-0
 Gender Female
 Glow-Wire Compliant No
 Lock to Mating Part Yes
 Material - Metal Phosphor Bronze
 Material - Plating Mating Tin
 Material - Plating Termination Tin
 Material - Resin Nylon
 Number of Rows 1
 Packaging Type Tray
 Panel Mount No
 Pitch - Mating Interface (in) 0.098 In
 Pitch - Mating Interface (mm) 2.50 mm
 Pitch - Term. Interface (in) 0.098 In
 Pitch - Term. Interface (mm) 2.50 mm
 Plating min: Mating (µin) 40
 Plating min: Mating (µm) 1.00
 Plating min: Termination (µin) 40
 Plating min: Termination (µm) 1.00
 Polarized to Mating Part Yes
 Stackable No
 Temperature Range - Operating -20C TO +120C
 Termination Interface: Style IDT or Pierce
 Wire Size AWG 22, 24

Electrical

Current - Maximum per Contact 2A, 4A
 Voltage - Maximum 32V AC

Material Info



EU RoHS

ELV and RoHS Compliant
REACH SVHC
 Not Reviewed
Halogen-Free Status
Not Reviewed

China RoHS



Need more information on product environmental compliance?

Email productcompliance@molex.com
 For a multiple part number RoHS Certificate of Compliance, [click here](#)

Please visit the [Contact Us](#) section for any non-product compliance questions.

Search Parts in this Series

[91780Series](#)

Mates With

[90860](#) Applimate® Vertical Header. [90861](#) Applimate® Right Angle Header

Application Tooling | FAQ

Tooling specifications and manuals are found by selecting the products below. Crimp Height Specifications are then contained in the Application Tooling Specification document.

Global

Description	Product #
RAST 2.5 Semi-Automatic Terminator Machine For Appli-Mate™ Connectors	0623006200

Reference - Drawing Numbers

Application Specification

Product Specification

Sales Drawing

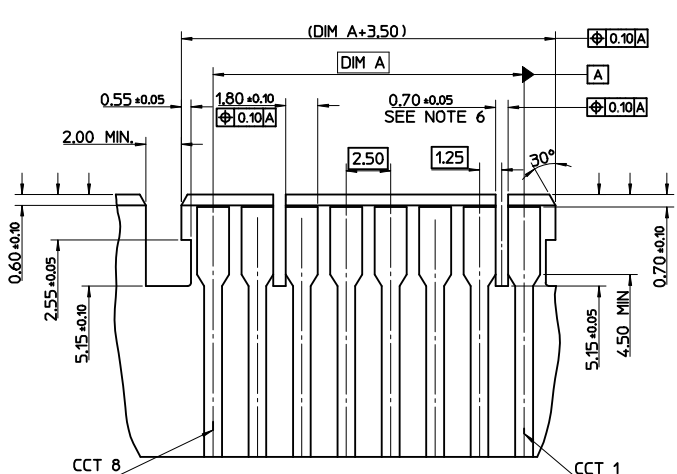
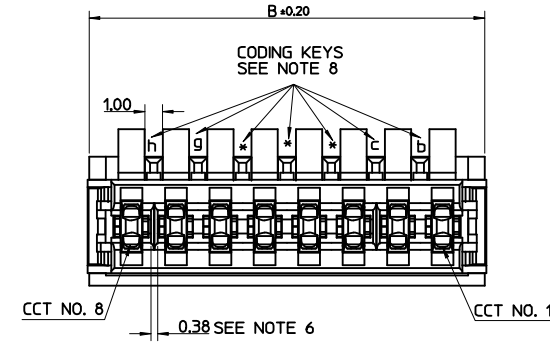
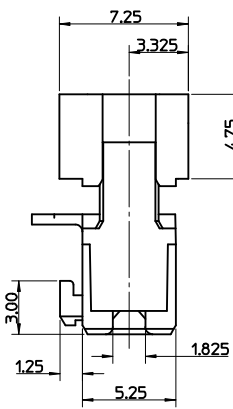
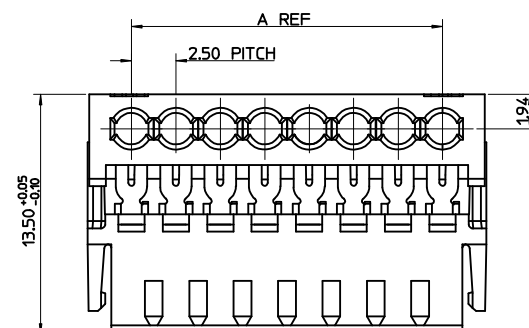
AS-99033-0008

PS-99020-0040

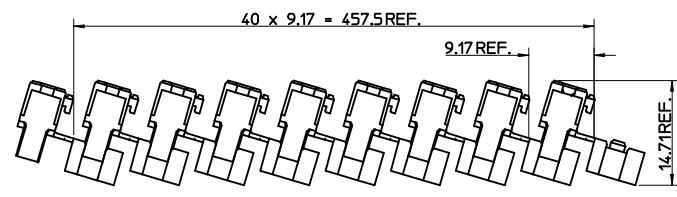
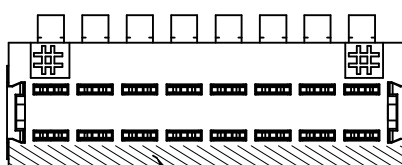
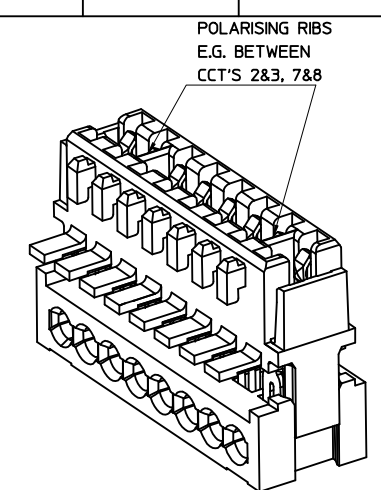
SD-91780-001

This document was generated on 05/28/2010

PLEASE CHECK WWW.MOLEX.COM FOR LATEST PART INFORMATION



EXAMPLE OF PCB LAYOUT FOR CONNECTOR SHOWN ABOVE
 - 8CCT WITH POLARISING RIB BETWEEN CCT 182 AND 687
 - RECOMMENDED PCB THICKNESS: 1.50±0.14mm



SHIPPING ARRANGEMENT
 SCALE 2:1

CCT	DIM A	DIM B
3	5.0	9.875
4	7.5	12.375
5	10.0	14.875
6	12.5	17.375
7	15.0	19.875
8	17.5	22.375
9	20.0	24.875
10	22.5	27.375
11	25.0	29.875
12	27.5	32.375
13	30.0	34.875
14	32.5	37.375
15	35.0	39.875
16	37.5	42.375
17	40.0	44.875
18	42.5	47.375
19	45.0	49.875
20	47.5	52.375

- NOTES:
- MATERIAL: HOUSING - NYLON PA66 UL94-V0 COLOUR: NATURAL
 TERMINAL - COPPER ALLOY
 - PLATING: TIN
 - PRODUCT CONFORMS TO PRODUCT SPECIFICATION PS-99020-0040
 - APPLICATION SPECIFICATION AS-99033-0008
 - SEE SUBSEQUENT SHEETS FOR PART NUMBERS
 - POLARISING RIBS ARE RECOMMENDED WITH THIS PRODUCT.
 SEE CONFIGURATIONS ON FOLLOWING SHEETS FOR OPTIONAL POLARISING RIB POSITION(S) FOR EACH CCT SIZE.
 RECOMMENDED: 3CCT TO 6 CCT HAVE ONE POLARISING RIB
 7CCT TO 20 CCT HAS TWO POLARISING RIBS
 - COLOR STRIPE IS OPTIONAL. AVAILABLE IN THE FOLLOWING COLORS: BLACK, RED, BLUE, GREEN
 - NO CODING KEY 'a', AS LATCH REPLACES FIRST AND LAST CODING KEY.
 - REFER TO PACKAGING SPECIFICATION: PK-90871-001

ADDED PART NUMBER EC NO: E2010-0115 DRAWN: MCMAMAR 2009/10/15 CHKD: BRUTTLE 2009/10/15 APPR: BMAGUIRE 2009/10/15 M	DESCRIPTION QUALITY SYMBOLS ▽=0 ▽=0	GENERAL TOLERANCES (UNLESS SPECIFIED)		DIMENSION STYLE MM ONLY		SCALE 5:1	DESIGN UNITS METRIC	THIRD ANGLE PROJECTION
		4 PLACES ± --- ± --- 3 PLACES ± 0.10 ± --- 2 PLACES ± 0.10 ± --- 1 PLACE ± 0.2 ± --- ANGULAR ± 2°	m/m INCH DRAWN BY N. MCNAMA 2004/09/07 CHECKED BY J DENNEHY 2004/09/08 APPROVED BY BMAGUIRE 2004/09/09	TITLE 2.5MM APPLI-MATE W/SIDE LATCHES (2.5 & 5MM TERM PITCH)		MATERIAL NO. SD-91780-001 DOCUMENT NO.		SHEET NO. 1 OF 3
DRAFT WHERE APPLICABLE MUST REMAIN WITHIN DIMENSIONS		SEE SHEET 2-5		THIS DRAWING CONTAINS INFORMATION THAT IS PROPRIETARY TO MOLEX INCORPORATED AND SHOULD NOT BE USED WITHOUT WRITTEN PERMISSION				

2 CIRCUIT

MOLEX PART NO.	TERMINAL VOID POSITION	REMOVED POSITION KEYS	CONFIGURATION (SEE NOTE 1)	POLARIZING RIB BETWEEN	COLOUR STRIPE
91780-9001	CCT 2	a d		CCT 1&2	NONE
91780-9002	CCT 2	a d		CCT 2&3	NONE
91780-9003	CCT 2	a d		NONE	NONE
91780-9004	CCT 2	a c d		CCT 1&2	RED
91780-9005	CCT 2	a b d		CCT 1&2	GREEN
91780-9006	CCT 2	a c d		CCT 2&3	BLUE
91780-9007	CCT 2	a b d		CCT 2&3	BLACK
91780-9008	CCT 2	a c d		CCT 1&2	NONE
91780-9009	CCT 2	a c d		CCT 2&3	NONE
91780-9010	CCT 2	a b d		CCT 2&3	NONE
91780-9011	CCT 2	a b d		CCT 1&2	NONE

3 CIRCUIT

MOLEX PART NO.	TERMINAL VOID POSITION	REMOVED POSITION KEYS	CONFIGURATION (SEE NOTE 1)	POLARIZING RIB BETWEEN	COLOUR STRIPE
91780-0001	NONE	a d		CCT 1&2	NONE
91780-0002	NONE	a c d		NONE	NONE
91780-0003	NONE	a d		CCT 2&3	NONE
91780-0004	NONE	a c d		CCT 1&2	NONE
91780-0005	NONE	a b d		CCT 1&2	NONE
91780-0006	NONE	a d		CCT 2&3	BLACK
91780-0007	NONE	a d		CCT 1&2	RED

4 CIRCUIT

MOLEX PART NO.	TERMINAL VOID POSITION	REMOVED POSITION KEYS	CONFIGURATION (SEE NOTE 1)	POLARIZING RIB BETWEEN	COLOUR STRIPE
91780-0501	NONE	a e		CCT 1&2	NONE
91780-0502	NONE	a e		NONE	NONE
91780-0503	CCT 3	a b e		NONE	RED
91780-0504	NONE	a d e		NONE	BLACK
91780-0505	NONE	a d e		NONE	NONE
91780-0506	CCT 3	a b e		NONE	NONE
91780-0507	NONE	a e		CCT 1&2	BLACK
91780-0508	NONE	a e		NONE	RED
91780-0509	NONE	a c e		CCT 1&2	NONE
91780-0510	NONE	a e		CCT 3&4	NONE

5 CIRCUIT

MOLEX PART NO.	TERMINAL VOID POSITION	REMOVED POSITION KEYS	CONFIGURATION (SEE NOTE 1)	POLARIZING RIB BETWEEN	COLOUR STRIPE
91780-1001	NONE	a f		CCT 2&3	NONE
91780-1002	NONE	a f		CCT 1&2	NONE
91780-1003	NONE	a f		CCT 2&3	BLACK
91780-1004	CCT 4	a f		CCT 1&2	GREEN
91780-1005	NONE	a f		CCT 3&4	RED
91780-1006	CCT 2	a f		CCT 3&4	BLUE

NOTES

- + DENOTES TERMINAL VOIDED POSITION
- ⊙ DENOTES TERMINAL LOADED POSITION
- | DENOTES POLARIZING RIB POSITION

6 CIRCUIT

MOLEX PART NO.	TERMINAL VOID POSITION	REMOVED POSITION KEYS	CONFIGURATION (SEE NOTE 1)	POLARIZING RIB BETWEEN	COLOUR STRIPE
91780-1501	NONE	a g		CCT 2&3	NONE
91780-1502	NONE	a g		CCT 5&6	NONE
91780-1503	NONE	a g		CCT 2&3	BLACK
91780-1504	NONE	a g		CCT 2&3	BLUE
91780-1505	NONE	a g		CCT 1&2	NONE

7 CIRCUIT

MOLEX PART NO.	TERMINAL VOID POSITION	REMOVED POSITION KEYS	CONFIGURATION (SEE NOTE 1)	POLARIZING RIB BETWEEN	COLOUR STRIPE
91780-2001	NONE	a h		CCT 1&2 & CCT 5&6	NONE
91780-2002	CCT 2	a h		CCT 1&2	NONE
91780-2003	NONE	a h		CCT 2&3	BLACK

8 CIRCUIT

MOLEX PART NO.	TERMINAL VOID POSITION	REMOVED POSITION KEYS	CONFIGURATION (SEE NOTE 1)	POLARIZING RIB BETWEEN	COLOUR STRIPE
91780-2501	NONE	a i		CCT 1&2 & CCT 6&7	NONE
91780-2502	CKT 2, 5	a i		CCT 1&2 & CCT 6&7	NONE
91780-2503	CKT 2	a i		CCT 1&2 & CCT 6&7	NONE
91780-2504	NONE	a i		CCT 2&3	NONE
91780-2505	CKT 2, 5	a i		CCT 2&3	NONE
91780-2506	NONE	a i		CCT 1&2	NONE
91780-2507	NONE	a i		CCT 3&4	NONE
91780-2508	NONE	a i		CCT 3&4	RED

SEE SHEET 1 SEC NO: E2010-015 DRN: NCMAMAR CHKD: BRUTLE APPR: BMAGUIRE 2009/10/15 2009/10/15 2009/10/15	QUALITY SYMBOLS ▽=0 ▽=0	GENERAL TOLERANCES (UNLESS SPECIFIED) mm INCH 4 PLACES ± --- ± --- 3 PLACES ± 0.10 ± --- 2 PLACES ± 0.10 ± --- 1 PLACE ± 0.2 ± --- ANGULAR ± 2°	DIMENSION STYLE MM ONLY	SCALE 1:1	DESIGN UNITS METRIC	THIRD ANGLE PROJECTION	
	DRAWN BY N.MCNAMEA DATE 2004/09/07	CHECKED BY J.DENNEHY DATE 2004/09/08	APPROVED BY BMAGUIRE DATE 2004/09/09	MATERIAL NO.	DOCUMENT NO.	TITLE 2.5MM APPLI-MATE W/SIDE LATCHES (2.5 & 5MM TERM PITCH)	MOLEX INCORPORATED
	DRAFT WHERE APPLICABLE MUST REMAIN WITHIN DIMENSIONS	SEE CHARTS	THIS DRAWING CONTAINS INFORMATION THAT IS PROPRIETARY TO MOLEX INCORPORATED AND SHOULD NOT BE USED WITHOUT WRITTEN PERMISSION	SD-91780-001	SHEET NO. 2 OF 3	MOLEX INCORPORATED	MOLEX INCORPORATED
	M	REV	DESCRIPTION	DATE	DATE	DATE	DATE

9 CIRCUIT

MOLEX PART NO.	TERMINAL VOID POSITION	REMOVED POSITION KEYS	CONFIGURATION (SEE NOTE 1)	POLARIZING RIB BETWEEN	COLOUR STRIPE
91780-3001	NONE	a j		CCT 1&2 & CCT 7&8	NONE
91780-3426	CCT 2, 4, 6, 8	a j		CCT 1&2 & CCT 7&8	NONE
91780-3003	CCT 2	a j		CCT 2&3	GREEN

10 CIRCUIT

MOLEX PART NO.	TERMINAL VOID POSITION	REMOVED POSITION KEYS	CONFIGURATION (SEE NOTE 1)	POLARIZING RIB BETWEEN	COLOUR STRIPE
91780-3501	NONE	a k		CCT 1&2 & CCT 8&9	NONE
91780-3502	NONE	a k		CCT 9&10	RED
91780-3503	NONE	a k		CCT 9&10	NONE
91780-3504	NONE	a k		CCT 2&3	NONE
91780-3505	NONE	a k		CCT 2&3	BLACK

11 CIRCUIT

MOLEX PART NO.	TERMINAL VOID POSITION	REMOVED POSITION KEYS	CONFIGURATION (SEE NOTE 1)	POLARIZING RIB BETWEEN	COLOUR STRIPE
91780-4001	NONE	a l		CCT 1&2 & CCT 9&10	NONE

12 CIRCUIT

MOLEX PART NO.	TERMINAL VOID POSITION	REMOVED POSITION KEYS	CONFIGURATION (SEE NOTE 1)	POLARIZING RIB BETWEEN	COLOUR STRIPE
91780-4501	NONE	a m		CCT 1&2 & CCT 10&11	NONE
91780-4502	CCT 2, 5, 8, 10	a m		CCT 1&2 & CCT 10&11	NONE
91780-4503	NONE	a m		CCT 2&3	NONE
91780-4504	CCT 2, 5, 8, 10	a m		CCT 2&3	NONE
91780-4505	NONE	a m		CCT 2&3	BLACK
91780-4506	NONE	a m		CCT 11&12	NONE

13 CIRCUIT

MOLEX PART NO.	TERMINAL VOID POSITION	REMOVED POSITION KEYS	CONFIGURATION (SEE NOTE 1)	POLARIZING RIB BETWEEN	COLOUR STRIPE
91780-5001	NONE	a n		CCT 1&2 & CCT 11&12	NONE

- NOTES**
- 1. + DENOTES TERMINAL VOIDED POSITION
 - ⊕ DENOTES TERMINAL LOADED POSITION
 - | DENOTES POLARIZING RIB POSITION

14 CIRCUIT

MOLEX PART NO.	TERMINAL VOID POSITION	REMOVED POSITION KEYS	CONFIGURATION (SEE NOTE 1)	POLARIZING RIB BETWEEN	COLOUR STRIPE
91780-5501	NONE	a o		CCT 1&2 & CCT 12&13	NONE

15 CIRCUIT

MOLEX PART NO.	TERMINAL VOID POSITION	REMOVED POSITION KEYS	CONFIGURATION (SEE NOTE 1)	POLARIZING RIB BETWEEN	COLOUR STRIPE
91780-6001	NONE	a p		CCT 1&2 & CCT 13&14	NONE
91780-6426	CCT 2, 4, 6, 8, 10, 12, 14	a p		CCT 1&2 & CCT 13&14	NONE

16 CIRCUIT

MOLEX PART NO.	TERMINAL VOID POSITION	REMOVED POSITION KEYS	CONFIGURATION (SEE NOTE 1)	POLARIZING RIB BETWEEN	COLOUR STRIPE
91780-6501	NONE	a q		CCT 1&2 & CCT 14&15	NONE

17 CIRCUIT

MOLEX PART NO.	TERMINAL VOID POSITION	REMOVED POSITION KEYS	CONFIGURATION (SEE NOTE 1)	POLARIZING RIB BETWEEN	COLOUR STRIPE
91780-7001	NONE	a r		CCT 1&2 & CCT 15&16	NONE
91780-7002	CCT 2, 4, 5, 6, 8, 10, 12, 14, 16,	a r		CCT 3&4 & CCT 15&16	NONE

18 CIRCUIT

MOLEX PART NO.	TERMINAL VOID POSITION	REMOVED POSITION KEYS	CONFIGURATION (SEE NOTE 1)	POLARIZING RIB BETWEEN	COLOUR STRIPE
91780-7501	NONE	a s		CCT 1&2 & CCT 16&17	NONE

19 CIRCUIT

MOLEX PART NO.	TERMINAL VOID POSITION	REMOVED POSITION KEYS	CONFIGURATION (SEE NOTE 1)	POLARIZING RIB BETWEEN	COLOUR STRIPE
91780-8001	NONE	a t		CCT 1&2 & CCT 17&18	NONE

20 CIRCUIT

MOLEX PART NO.	TERMINAL VOID POSITION	REMOVED POSITION KEYS	CONFIGURATION (SEE NOTE 1)	POLARIZING RIB BETWEEN	COLOUR STRIPE
91780-8501	NONE	a u		CCT 1&2 & CCT 18&19	NONE

SEE SHEET 1 E.C. NO: E2010-015 DRAWN BY: N.MCNAME CHKD BY: CHKD BRUTTE APPR BY: BMAGUIRE DATE: 2009/10/15	QUALITY SYMBOLS ▽=0 ▽=0	GENERAL TOLERANCES (UNLESS SPECIFIED) mm INCH 4 PLACES ± --- ± --- 3 PLACES ± 0.10 ± --- 2 PLACES ± 0.10 ± --- 1 PLACE ± 0.2 ± --- ANGULAR ± 2°	DIMENSION STYLE MM ONLY DRAWN BY: N.MCNAME DATE: 2004/09/07 CHECKED BY: J.DENNEHY DATE: 2004/09/08 APPROVED BY: BMAGUIRE DATE: 2004/09/09	SCALE: 1:1 DESIGN UNITS: METRIC THIRD ANGLE PROJECTION
	TITLE: 2.5MM APPLI-MATE W/SIDE LATCHES (2.5 & 5MM TERM PITCH)			SHEET NO: 3 OF 3
	DRAFT WHERE APPLICABLE MUST REMAIN WITHIN DIMENSIONS			SEE CHARTS THIS DRAWING CONTAINS INFORMATION THAT IS PROPRIETARY TO MOLEX INCORPORATED AND SHOULD NOT BE USED WITHOUT WRITTEN PERMISSION
	MATERIAL NO. SD-91780-001			DOCUMENT NO.