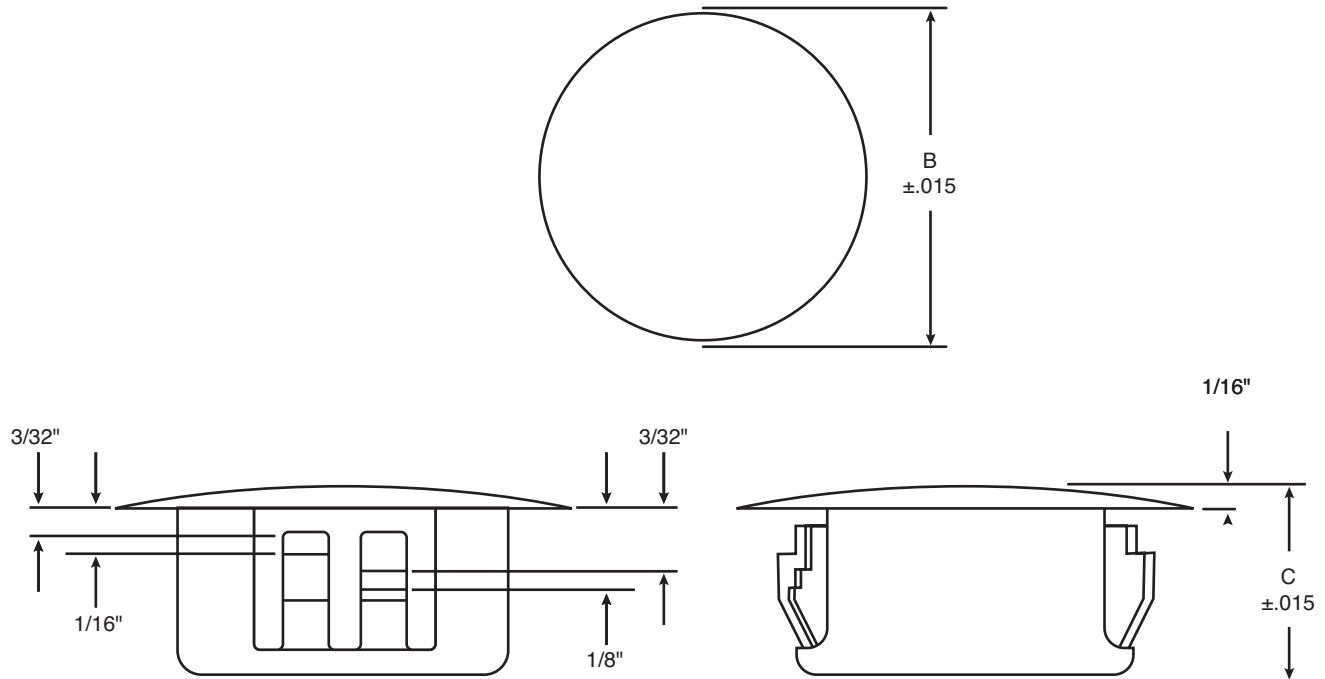


Knock Out Plugs

561-0875KOP, 561-1093KOP, 561-1375KOP,
 561-1750KOP, 561-2000KOP

Date Last Revised: 10-23-06



Dimensions: In

- Molded in a gray nylon to blend in with galvanized steel
- Economical plugs lock firmly into 5 trade size holes with thicknesses up to 1/8"
- Installs with fingertip pressure - no tools required

SPECIFICATIONS					
Mouser Num.	Description	Hole Diameter	Max. Thickness	Head Dia. B: In (mm)	Thickness C
561-0875KOP	7/8" Knock Out Plug	.875	.125	1.016 (25.81)	.453
561-1093KOP	1 1/8" Knock Out Plug	1.093	.125	1.218 (30.94)	.453
561-1375KOP	1 3/8" Knock Out Plug	1.375	.125	1.5 (38.1)	.453
561-1750KOP	1 3/4" Knock Out Plug	1.75	.125	1.925 (48.9)	.453
561-2000KOP	2" Knock Out Plug	2	.125	2.14 (54.36)	.453

Available from Mouser Electronics
 1-800-346-6873
 www.mouser.com

EPD-200448

www.DataSheet4U.com