

PRODUCT NUMBER
57102-XXX-XXXXLX

PLATING

- S = 0.38µm GOLD ON CONTACT AREA
3.81µm TIN LEAD ON TAIL
- G = 0.76µm GOLD ON CONTACT AREA
3.81µm TIN LEAD ON TAIL
- F = GOLD FLASH ON CONTACT AREA
3.81µm TIN LEAD ON TAIL

WHEN "LF" IS REQUIRED, 2µm MIN
MATTE TIN OVER 1.27µm MIN NICKEL
INSTEAD OF TIN-LEAD

WHEN REQUIRED, ADD SUFFIX LETTER "LF"
INDICATES THE PRODUCT IS RoHS COMPATIBLE
SEE NOTE 7

POLARIZATION, SEE NOTE 6

PACKAGING, SEE NOTE 5

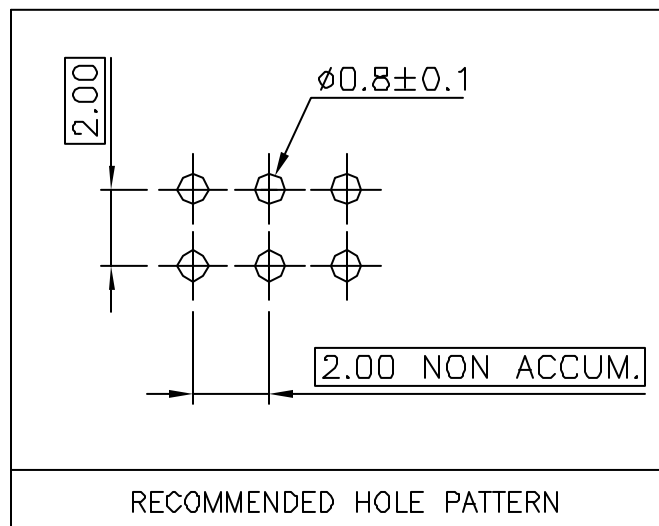
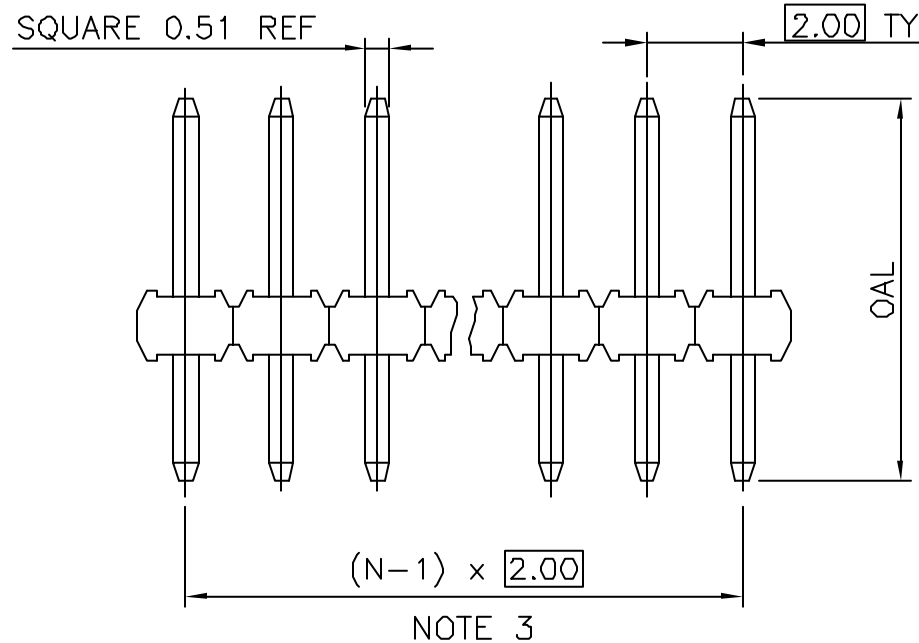
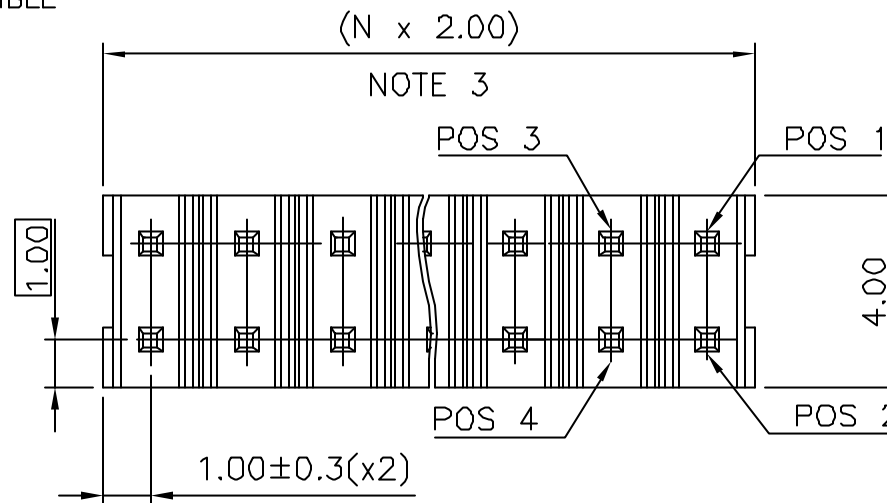
NB OF POSITIONS PER ROW: 02 TO 25 POS

PIN STYLE	POST LENGTH	TAIL LENGTH	OAL
02	2.00	2.50	6.00
04	2.00	3.00	6.50
06	4.00	2.50	8.00
08	4.00	3.00	8.50

NOTES:

1. MATERIAL HOUSING: HIGH TEMP. THERMOPLASTIC
UL 94V-0, COLOR BLACK
2. MATERIAL TERMINAL: COPPER ALLOY
3. TO DETERMINE DIMENSIONS:
N = NUMBER OF POSITIONS PER ROW
4. 7N MIN. PIN RETENTION IN EITHER DIRECTION.
5. PACKAGING:
= PLASTIC BOX
- = PLASTIC BOX WHEN POLARIZATION FEATURE APPLICABLE
U = TUBE AVAILABLE FROM 03 TO 25 POS PER ROW
6. FOR POLARIZATION, SPECIFIED PIN
EXAMPLE : 03 = OMIT PIN POSITION 3, SEE TOP VIEW
OMIT FROM PRODUCT NUMBER IF THIS FEATURE IS NOT APPLICABLE
7. RoHS COMPATIBLE PRODUCT SPECIFICATIONS
 - a - PLATING:
- "LF" MEANS THE PRODUCT IS LEAD-FREE,
2µm MINIMUM MATTE TIN OVER 1.27µm
MINIMUM NICKEL UNDERPLATE.
 - b - MANUFACTURING PROCESS COMPATIBILITY
- THE HOUSING WILL WITHSTAND EXPOSURE TO
260°C ±5°C SOLDER BATH TEMPERATURE FOR
5 SECONDS IN A WAVE SOLDER APPLICATION
WITH A 1.6mm MIN THICK CIRCUIT BOARD.
- COMPATIBLE TO REFLOW PROCESS 260°C MAX
FOR 30 SECONDES
 - c - LABELLING:
- MEETS PACKAGING SPECS AS PER GS-14-920
 - d - LEGAL STATEMENT: SEE GS-22-008

TOP VIEW



mat'l. code				surface ISO 1302 ✓	tolerance ISO 406 ISO 101	projection mm	product family MINITEK
ltr	ecn	na	dr	date	tolerances unless otherwise specified		title
D	F03-0205	JCO		03.05.21	angles	.X ±0.3	UNSH HEADER 2.00 mm VERTICAL TMT
E	F04-0178	LMU		04.11.25	Linear	.XX ±0.13	
F	F04-0378	LMU		04.11.26		.XXX ±0.05	scale 1:1
G	F05-0124	LMU	dr	05.02.07	J.MULIN	04.05.06	FCJ
H	F06-0210	LMU	engr	06.07.04	J.COMPAGNON	04.11.25	
				chr			dwg no
				appd	JM.C	04.11.25	57102
sheet index				revision sheet			sheet 1 of 1
							size A3
							type CUSTOMER Drawing