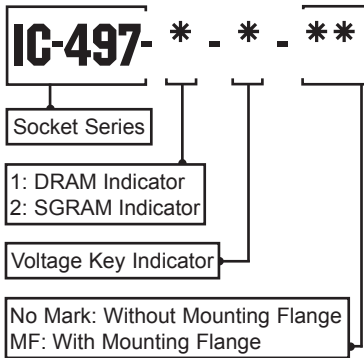
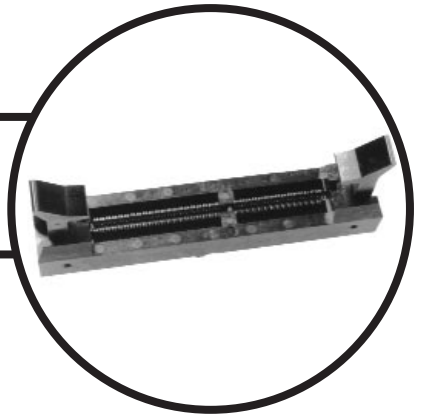


DIMM 144 pin

IC-497 Series



Characteristics

Insulation Resistance:	1,000MΩ minimum at 500 VDC
Withstanding Voltage:	700 VAC for 1 minute
Contact Resistance:	30mΩ max. at 10mA/20mV (Initial)
Operating Temperature:	-55°C ~ +170°C

Material

Insulator:	PEI (Glass Filled)
Contact:	Beryllium Copper
Plating:	Gold over Nickel

