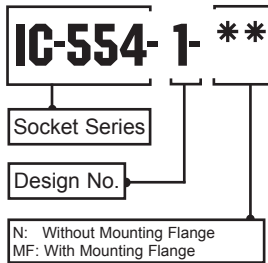
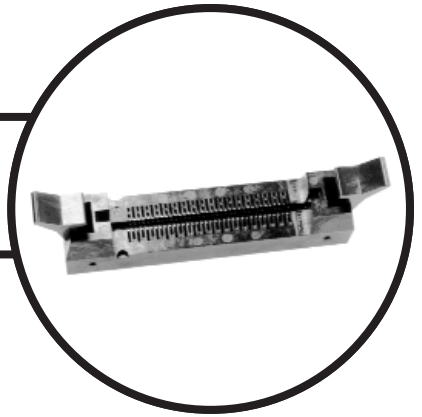


DIMM 72 pin

IC-554 Series

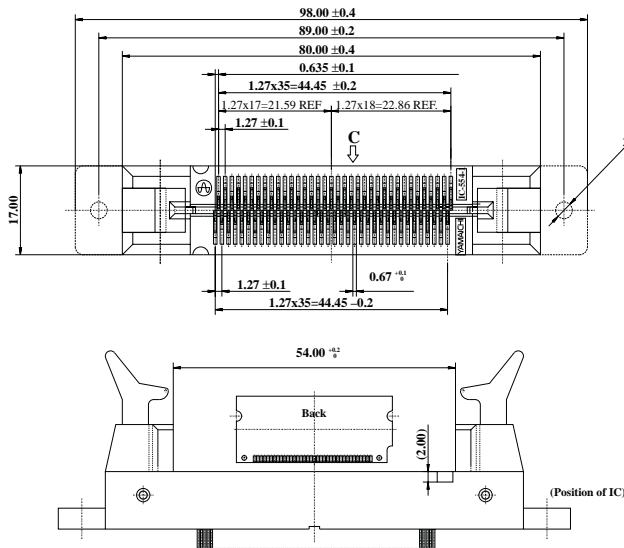


Characteristics

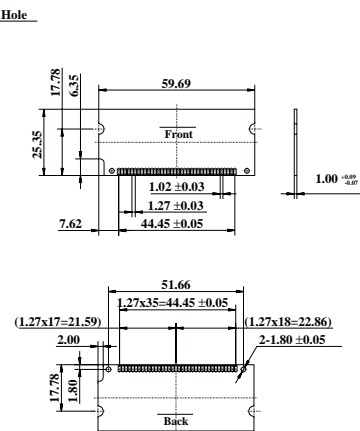
Insulation Resistance:	1,000MΩ minimum at 500 VDC
Withstanding Voltage:	700 VAC for 1 minute
Contact Resistance:	30mΩ max. at 10mA/20mV (Initial)
Operating Temperature:	-55°C ~ +170°C

Material

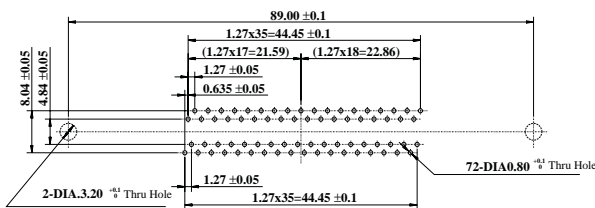
Insulator:	PEI (Glass Filled)
Contact:	Beryllium Copper
Plating:	Gold over Nickel



Detail C (Back)
IC Device Dimensions (Reference Drawing)



IC Device Dimensions (Reference Drawing)



PC-BOARD HOLE PATTERN
Pattern Shown Looking Down
Through Top of Socket.

