

**PM4541**

**T1XC-EVBD**

**T1XC EVALUATION DAUGHTER BOARD**

**ISSUE 2: DECEMBER 1997**

**CONTENTS**

1	OVERVIEW .....	1
2	FUNCTIONAL DESCRIPTION.....	2
2.1	BLOCK DIAGRAM.....	2
2.2	BUS TRANSCEIVERS .....	2
2.3	DECODE LOGIC.....	3
2.4	DIP SWITCHES .....	3
2.5	CLOCK DPLL .....	3
2.6	OSCILLATORS.....	3
2.7	T1XC DEVICES .....	4
2.8	"CSU" CONNECTION BLOCKS.....	4
2.9	TRANSMIT/RECEIVE INTERFACE .....	5
3	INTERFACE DESCRIPTION.....	6
3.1	EDGE CONNECTOR INTERFACE .....	6
3.2	HEADER CONNECTIONS.....	7
3.2.1	<u>EXTERNAL SIGNAL HEADER</u> .....	8
3.2.2	<u>DPLL HEADER</u> .....	8
3.2.3	<u>T1XC HEADERS</u> .....	9
3.2.4	<u>PROTOTYPE CHIP SELECT HEADER</u> .....	10
3.3	DIP SWITCHES .....	11
4	PHYSICAL DESCRIPTION.....	12
4.1	CHARACTERISTICS.....	12
4.2	LAYOUT.....	13

5	D.C. CHARACTERISTICS .....	14
6	IMPLEMENTATION DESCRIPTION .....	15
6.1	BUS TRANSCEIVERS .....	15
6.2	DECODE LOGIC .....	15
6.3	CLOCK PLL AND DIP SWITCHES .....	18
6.4	T1XC .....	21
6.5	"CSU" DIPS AND JUMPERS .....	21
6.6	TRANSMIT/RECEIVE INTERFACES .....	22
7	T1XC DAUGHTERBOARD FIRMWARE DESCRIPTION .....	24
8	STOCK LIST .....	31
9	REFERENCES.....	36
•	APPENDIX 1: COMPONENT PLACEMENT DIAGRAM.....	37
•	APPENDIX 2: SCHEMATICS .....	38

## **1 OVERVIEW**

The PM4541 T1XC EVBD evaluation daughterboard allows for the test, evaluation, and demonstration of the PMC PM4341 T1XC device. It is also compatible with the PM6341 E1XC device. This daughterboard can be used standalone with up to two T1XC devices but has been especially designed to mate with the PMC PM1501 EVMB evaluation motherboard to form a complete evaluation system. All required decoding logic is provided on the T1XC EVBD daughterboard to give the EVMB direct access to all registers of both T1XC devices.

All of the principal connections to both devices have been brought out to header strips for convenient test access. DS-1 digital interfaces are provided on a header strip and BNC or mini-bantam connectors are provided for DSX-1 analog signals. The backplane interfaces of each device are accessible through header strips and the devices can be interconnected back to back, effectively creating a jitter-attenuating format converter (a function often implemented within a CSU) by dropping in shorting connectors into specific DIP sockets. Special considerations have been taken to ensure that the E1XC device will plug into one or both of the T1XC sockets.

Clocks for the backplane are provided by a T1/CEPT digital trunk DPLL which provides a synchronized 1.544 MHz, 2.048 MHz, or 4.096 MHz signal. The PLL can be easily bypassed to allow direct drive of the backplane with an appropriate oscillator. A prototype area has been provided for breadboarding more complex applications.

The T1XC EVBD evaluation daughterboard is configured, monitored, and powered through an edge connector that is designed to mate with the EVMB evaluation motherboard

## 2 FUNCTIONAL DESCRIPTION

### 2.1 Block Diagram

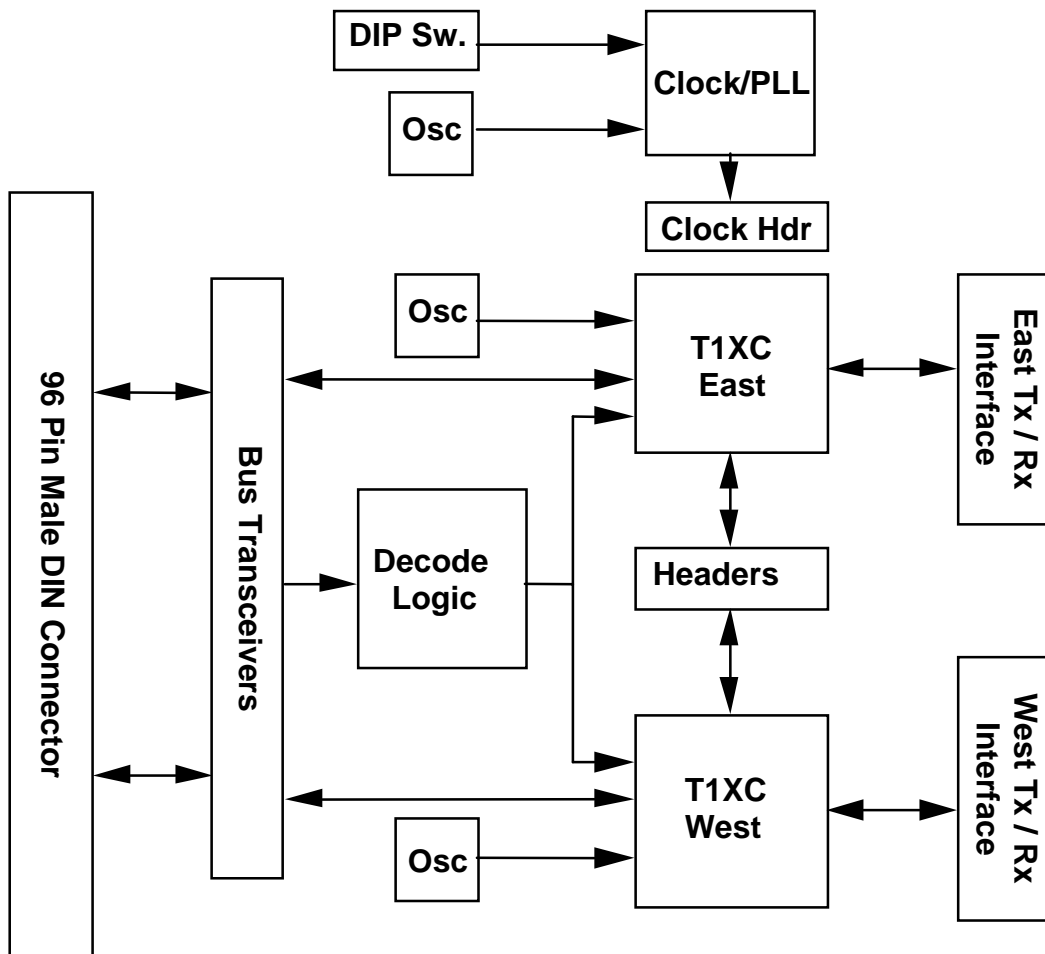


Figure 1: Block Diagram

### 2.2 Bus Transceivers

Bus transceivers are provided at the connector interface to prevent excessive loading of the 68HC11 on the EVMB evaluation motherboard. In addition they provide some measure of isolation for the daughterboard and protection for other external signals such as the EXTCLK and EXTFP inputs.

## **2.3 Decode Logic**

Decode logic is provided on the daughterboard to give memory mapped access to all of the registers within both T1XCs. Registers within the "east" T1XC are accessible starting at address C000H. Registers within the "west" T1XC are accessible starting at address C100H. Additional chip selects are provided for addresses C200H-C2FFH and C300H-C3FFH for use on the prototype area.

## **2.4 DIP Switches**

The DIP Switch Block controls the operational modes of the MT8940 DPLL device that is used to generate the backplane clock. The various modes of the device are selected by DIP switch settings. Access to the enable inputs for the various clock outputs is also provided through these switches.

## **2.5 Clock DPLL**

The MT8940 T1/CEPT Digital Trunk DPLL can provide a number of different clocks with different methods of synchronization, depending upon its mode setting, which can be used to drive the backplane interface of the T1XCs. The device can output 1.544 MHz, 2.048 MHz, and 4.096 MHz clocks in true or complement format. The DPLL can be allowed to free-run or it can be synchronized to the receive frame pulses of either T1XC. PLL control is accomplished with the DIP switches connected to the inputs.

## **2.6 Oscillators**

Up to four oscillators can be used on the T1XC EVBD daughterboard depending upon the choice of configuration. The T1XC devices require a 37.056 MHz clock if all of the device's features are to be utilized. Although two oscillator sockets are provided, only a single oscillator is necessary if two T1XC devices are used. The insertion of a jumper (J25) will join the two T1XC XCLK inputs together to allow the single clock to drive both devices. If an E1XC device is used in place of one of the T1XC devices then the jumper must be removed to isolate each clock line and a 49.152 MHz oscillator is used to drive the E1XC XCLK input.

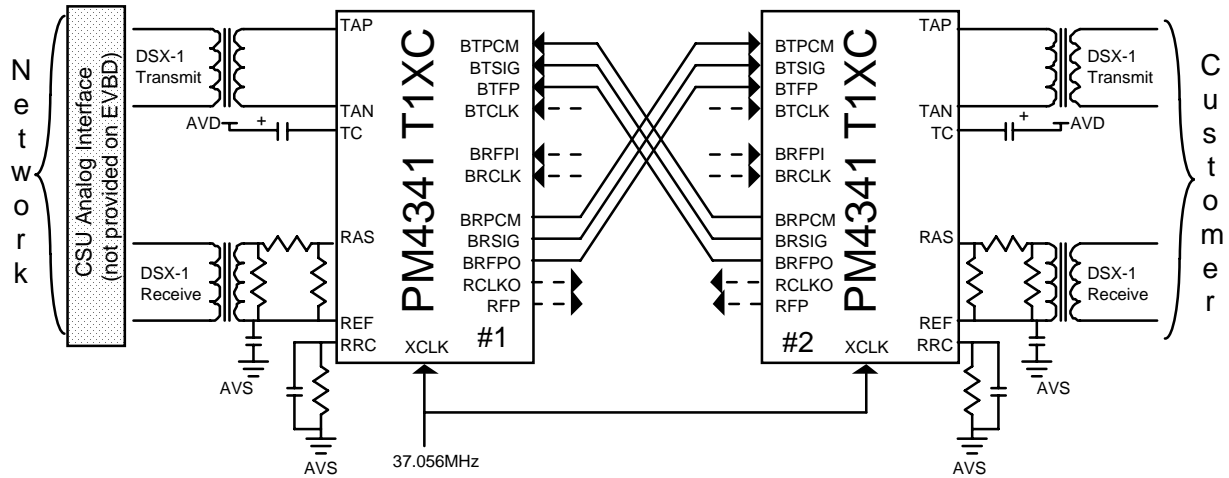
The MT8940 DPLL device requires two oscillators to drive internal DPLLs, one at 12.355 MHz, and the other at 16.384 MHz. If the MT8940 is removed from the daughterboard, then these oscillators can be replaced with ones directly compatible with the backplane rate. Each oscillator output is directly accessible at header pins, allowing connections to be made by connecting jumpers to the T1XC devices.

## **2.7 T1XC Devices**

Up to two T1XC devices can be placed on the daughterboard at a time. Each device runs independent of the other, except when explicit connections are made through the header strips (i.e. when configured as a jitter attenuating format converter or "CSU"). All internal registers are individually accessible and each device has been set up with individual receiver, transmitter and backplane access through headers and connectors. A full description of the T1XC device is beyond the scope of this document. For more information, refer to the PM4341 T1XC datasheet.

## **2.8 "CSU" Connection Blocks**

While the main purpose of the evaluation daughterboard is to provide unrestricted access to all of the features of the T1XC device, one application is conveniently provided which allows easy evaluation of most of the features of the device. By plugging in shorting jumpers into the two 16 pin CSU DIP sockets (U5 and U6) on the daughterboard, the two T1XCs are connected back to back to implement a jitter-attenuating format converter (a function often implemented within a CSU) as described in the T1XC datasheet. These CSU DIP socket jumpers make almost all of the necessary connections except for the signals BRCLK, BRFP1, and BTCLK. Connections for these signals are made through E-W and W-E jumper blocks J19, J20, J21, J22, J23, and J24. By installing jumper connections between pin 1 and pin 2 of jumper blocks J19 and J20, between pin 3 and pin 4 of each of jumper blocks J21, J22, J23, J24, and between pin 2 and 3 of jumper block J30, a "CSU" like application can be implemented where the 1.544 MHz clock for the backplane between the two T1XC devices is provided by the MT8940, which in turn is locked to the recovered clock provided by T1XC #1. Variations of this application can be explored by using the other options provided on the jumper blocks. With this application, and with its variations, different backplane rates can be tested. Connections are provided for 1.544 MHz, 2.048 MHz, and externally supplied backplane clock rates.



**Figure 2: Jitter Attenuating "CSU" Application Hookup**

## 2.9 Transmit/Receive Interface

The daughterboard provides three different types of interfaces for the transmit and receive signals. The two standard analog interfaces provided are a 100 ohm mini-bantam interface and a 50 ohm BNC interface. The mini-bantams are terminated with a 100 ohm resistor on the TN/RN pins to prevent an excessive voltage kick when mini-bantam plugs are inserted or removed. The BNC connector barrel can optionally be terminated with a resistor to ground, or grounded directly, by stuffing a resistor or shorting strap in locations R15, R16, R17, and R18. The daughterboard is shipped with these 4 locations empty, thereby providing a 50Ω BNC interface. The third interface provided is strictly digital and brings out all of the T1XC's digital DS-1 signals to header pins for easy test access. When the digital interface is used each T1XC's analog receiver can be powered down by moving the jumper on jumper block J31 or J32.



### **3 INTERFACE DESCRIPTION**

#### **3.1 Edge Connector Interface**

The Edge Connector Interface is made up of a male 96 pin DIN of which 64 pins are actually used. It consists of signals appropriate to read and write to the registers of the devices on the daughterboard, and it provides the necessary power and ground. The connections have been specially designed to mate with PMC's PM1501 EVMB evaluation motherboard. TTL signal levels are used on this interface.

<b>Signal Name</b>	<b>Type</b>	<b>Pin</b>	<b>Function</b>
ALE	O	C1	Address latch enable. When high, identifies that address is valid on AD[7:0].
E	O	C2	Microprocessor Clock
RWB	O	C3	Active low write, active high read enable
RSTB	O	C4	Active low H/W reset
A[15]	O	C5	Address bus bit 15
A[14]	O	C6	Address bus bit 14
A[13]	O	C7	Address bus bit 13
A[12]	O	C8	Address bus bit 12
A[11]	O	C9	Address bus bit 11
A[10]	O	C10	Address bus bit 10
A[9]	O	C11	Address bus bit 9
A[8]	O	C12	Address bus bit 8
AD[7]	I/O	C13	Multiplexed address/data bus bit 7
AD[6]	I/O	C14	Multiplexed address/data bus bit 6
AD[5]	I/O	C15	Multiplexed address/data bus bit 5
AD[4]	I/O	C16	Multiplexed address/data bus bit 4
AD[3]	I/O	C17	Multiplexed address/data bus bit 3
AD[2]	I/O	C18	Multiplexed address/data bus bit 2

AD[1]	I/O	C19	Multiplexed address/data bus bit 1
AD[0]	I/O	C20	Multiplexed address/data bus bit 0
PA3	O	C21	68HC11 Processor Port A bit 3
PA4	O	C22	68HC11 Processor Port A bit 4
PA5	O	C23	68HC11 Processor Port A bit 5
PA6	O	C24	68HC11 Processor Port A bit 6
PD2	I	C25	MISO. Master In Slave Out of Port D acting as SPI. Pulled up on motherboard.
PD3	O	C26	MOSI. Master Out Slave In of Port D acting as SPI. Pulled up on motherboard.
PD4	O	C27	SCK. Serial clock of Port D acting as SPI. Pulled up on motherboard.
PD5	O	C28	SS. Slave Select of Port D acting as SPI active low. Pulled up on motherboard.
IRQ	I	C29	Maskable interrupt
XIRQ	I	C30	Non Maskable Interrupt
DISB	I	C31	EVMB memory disable. Pulling this signal low will disable MPU access to the EVMB's on-board RAM and EPROM.
SP	O	C32	SPARE
GND	O	A1- A28	Ground
+5V	O	A29- A32	+5 Volts

### **3.2 Header Connections**

All T1XC functional pins are connected to male header strips to provide as much access as possible. These headers may be used as probe points or as a means to build sample applications by making appropriate connections between points. Each T1XC can run in isolation of the other, thus any application, other than the default sample "CSU", will require header connections to be made.

### 3.2.1 External Signal Header

This header is provided to accept an external clock and framing pulse source. These inputs are then buffered for use on the board. External clock sources must be buffered through this header to avoid possible damage to the T1XCs or DPLL.

Signal	Type	Ref.	Description
EXTFP	I	J26-2	External Framing Pulse Input
EXTCLK	I	J26-4	External Clock Input
BEXTFP	O	J27-1	Buffered External Framing Pulse
BEXTCLK	O	J27-2	Buffered External Clock

### 3.2.2 DPLL Header

This header is provided to give access to the clock generating MT8940 DPLL chip as well as provide direct oscillator access. All of the major DPLL outputs are brought out to this header even though they may be of limited use with the T1XC (e.g. the 4.096 MHz clock).

Signal	Type	Ref.	Description
FPIN	I	J29-2	1.544 MHz Framing pulse input to MT8940.
C8KB	I/O	J29-1	2.048 MHz Framing pulse in/out (mode dependent).
GFP	I/O	J29-3	8 kHz Framing pulse output from the MT8940. Note that this active low output signal is derived from the 16.388 MHz clock and has a 244ns pulsewidth. This frame pulse signal signal should only be routed to the T1XC when the backplane is configured for 2.048 MHz; this signal is not suitable when the T1XC backplane is 1.544 MHz.
C1M5	O	J29-4	1.544 MHz Output clock from MT8940.
C1M5B	O	J29-5	Inverted C1M5 clock.
C2M	O	J29-6	2.048 MHz output clock from MT8940.
C2MB	O	J29-7	Inverted C2M clock.
C4M	O	J29-8	4.096 MHz Output clock from MT8940.

C4MB	O	J29-9	Inverted C4M clock.
C16M	O	J29-10	Direct access to 16.388 MHz clock driving the MT8940. This pin is mainly provided for direct oscillator access. If the MT8940 is not used the 16.388 MHz clock can be replaced by a 2.048 MHz clock with access to the clock signal provided by this pin.
C12M	O	J29-11	Direct access to 12.355 MHz clock driving the MT8940. This pin is mainly provided for direct oscillator access. If the MT8940 is not used the 12.355 MHz clock can be replaced by a 1.544 MHz clock with access to the clock signal provided by this pin.
GND	G	J29-12	MT8940 DPLL header ground reference.

### 3.2.3 T1XC Headers

A number of headers are provided which give direct access to the main functional pins on the T1XCs. Both devices on the daughterboard have the same pins brought out to headers and every effort has been made to insure that all headers are symmetrical with both devices. The T1XCs are uniquely identified by an east/west designation. The following table gives a brief description of the T1XC signals. For a more detailed description of the T1XC device, refer to the T1XC datasheet.

Signal	Type	Ref (E)	Ref (W)	Description
TAP	O	J9-1	J10-1	Transmit Analog Positive Pulse
TAN	O	J9-2	J10-2	Transmit Analog Negative Pulse
RAS	I	J9-3	J10-3	Receive Analog Signal
REF	I/O	J9-4	J10-4	Receive Reference
GND	G	J9-5	J10-5	T1XC Analog Ground Reference
TCLKI	I	J15-1	J16-1	Transmit Clock Input
TCLKO	O	J15-2	J16-2	Transmit Clock Output
TDP/TDD	O	J15-3	J16-3	Transmit Digital Positive Line Pulse/ Transmit Digital DS-1 Signal
TDN/TFLG	O	J15-4	J16-4	Transmit Digital Negative Line Pulse/ Transmit FIFO Flag
TDLCLK/ TDLUDR	O	J15-5	J16-5	Transmit Data Link Clock/ Transmit Data Link Underrun
TDLSIG/ TDLINT	I/O	J15-6	J16-6	Transmit Data Link Signal/ Transmit Data Link Interrupt

GND	G	J15-7	J16-7	T1XC Digital Transmit Ground Reference
RDLCLK/ RDLEOM	O	J13-1	J14-1	Receive Data Link Clock/ Receive Data Link End of Message
RDSIG/ RDLINT	O	J13-2	J14-2	Receive Data Link Signal/ Receive Data Link Interrupt
RCLKI	I	J13-3	J14-3	Receive Line Clock Input
RDP/ RDD/ SDP	I/O	J13-4	J14-4	Receive Digital Positive Line Pulse/ Receive Digital DS-1 Signal/ Sliced Positive Line Pulse
RDN/ RLCV/ SDN	I/O	J13-5	J14-5	Receive Digital Negative Line Pulse/ Receive Line Code Violation Indication/ Sliced Negative Line Pulse
GND	G	J13-6	J14-6	
BTPCM/ BTDP	I	J11-4	J12-4	Backplane Transmit PCM/ Backplane Transmit Positive Line Pulse
BTSIG/ BTDN	I	J11-3	J12-3	Backplane Transmit Signaling/ Backplane Transmit Negative Line Pulse
BTFP	I	J11-2	J12-2	Backplane Transmit Frame Pulse
BTCLK	I	J11-1	J12-1	Backplane Transmit Clock
GND	G	J11-5	J12-5	Backplane Transmit Header Ground Reference
BRCLK	I	J17-1	J18-1	Backplane Receive Clock
BRFPI	I	J17-2	J18-2	Backplane Frame Pulse Input
BRPCM/ BRDP	O	J17-3	J18-3	Backplane Receive PCM/ Backplane Receive Positive Line Pulse
BRSIG/ BRDN	O	J17-4	J18-4	Backplane Receive Signaling/ Backplane Receive Negative Line Pulse
BRFPO	O	J17-5	J18-5	Backplane Frame Pulse Output
RDPCM/ RPCM	O	J17-6	J18-6	Recovered Decoded PCM/ Recovered PCM
RCLKO	O	J17-7	J18-7	Recovered PCM Clock Output
RFP	O	J17-8	J18-8	Receive Frame Pulse
GND	G	J17-9	J18-9	Backplane Receive Ground Reference

### 3.2.4 Prototype Chip Select Header

Two unused chip selects from the decoding logic are provided on a header near the prototype area.

Signal	Type	Ref.	Description
Spare1_CSB	O	J28-1	Spare CSB pin address (C2XX)
Spare2_CSB	O	J28-2	Spare CSB pin address (C3XX)

### 3.3 DIP Switches

One 8 bit dip switch is provided on the daughterboard. This switch controls the operating modes of MT8940 PLL chip and the output enables for the various clock outputs. When open, each bit line is pulled high. When closed, the bit lines are individually pulled to ground. For a brief description of the MT8940 operating modes, consult the tables in the Clock PLL implementation description section.

Switch ID	Mapping
Clock 1	MS0
Clock 2	MS1
Clock 3	MS2
Clock 4	MS3
Clock 5	ENC2O
Clock 6	ENCV
Clock 7	ENC4O
Clock 8	Unused

## **4 PHYSICAL DESCRIPTION**

### **4.1 Characteristics**

The T1XC EVBD is an evaluation board that allows the T1XC device to be feature tested and evaluated for various applications. Special consideration has been made in its design to allow testing of the E1XC when it is available. While the daughter-board can be used standalone with a limited feature set, it has been especially designed to link with PMC's EVMB (Evaluation Motherboard). The EVMB controller board provides a microprocessor to read and write to all of the T1XC's internal registers allowing configuration, control and set-up of the various modes of T1XC operation.

The T1XC EVBD is laid out for convenient bench top use for test or demonstration purposes. It is provided with rubber feet that are placed to avoid PCB flexing. Pin headers provide easy access to all signals necessary during device testing. A T1/CEPT Digital PLL is installed to provide the necessary 1.544 MHz or 2.048 MHz backplane rates. External pins allow access when using an externally generated backplane clock. Ground pins for scope probes are conveniently provided and distributed. Simple configuration into the example CSU application is provided. The DIP switches, pin headers, and interface connections are labeled on the silkscreen for easy identification and ample prototype area is provided. The size of the T1XC EVBD is constrained to 8.5 x 6.5 inches and, when mated with the EVMB card, will fit in a standard three ring binder.

### 4.2 Layout

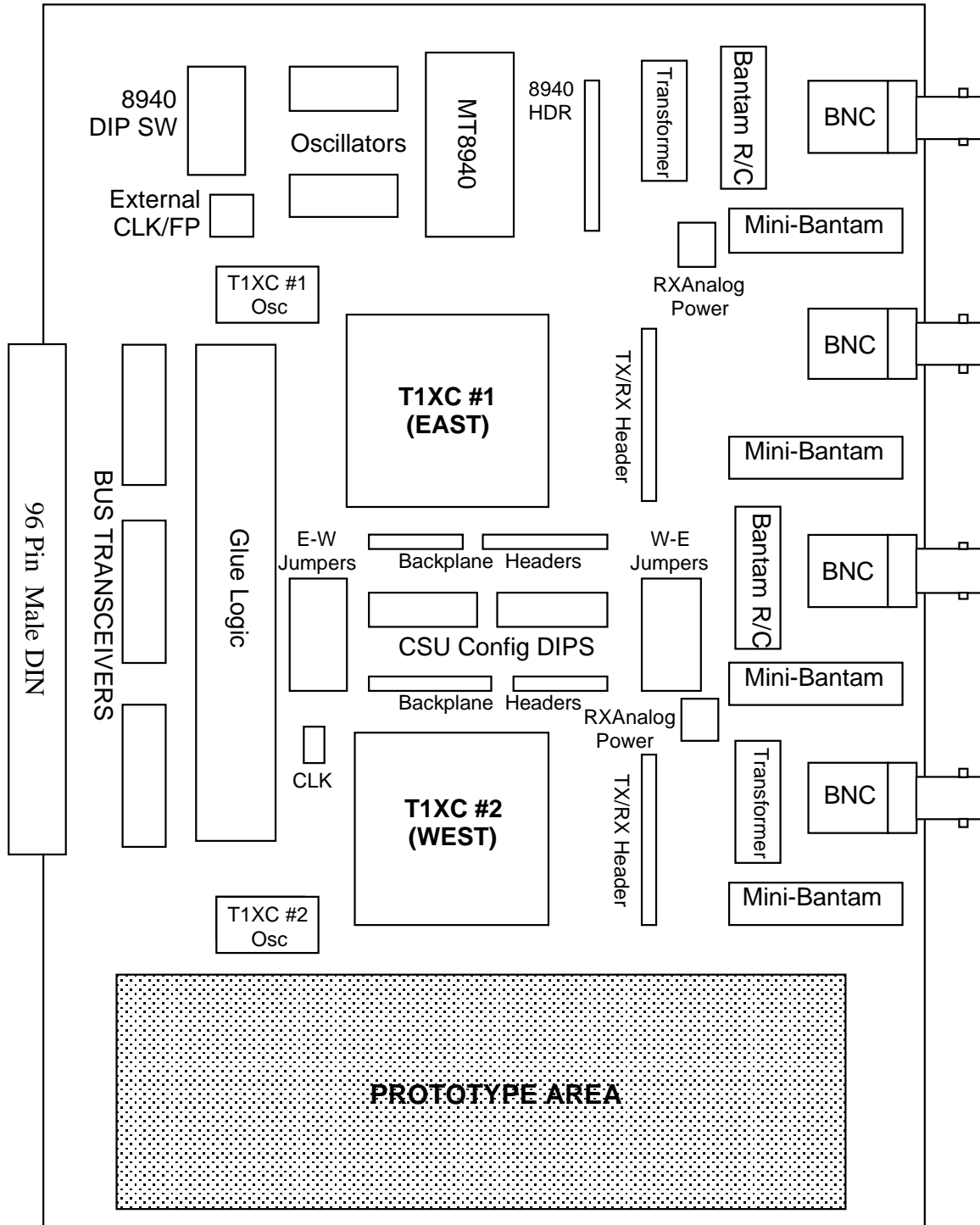


Figure 3: Board Layout



## **5 D.C. CHARACTERISTICS**

<b>Symbol</b>	<b>Parameter</b>	<b>Min</b>	<b>Max</b>	<b>Units</b>	<b>Test Conditions</b>
V <sub>5DC</sub>	+5V DC Power Supply Voltage	4.5	5.5	V	
I <sub>5DC</sub>	+5V DC Power Supply Current		3	A	V <sub>5DC</sub> = 5.0 V ± 10%
T <sub>A</sub>	Ambient Temperature	0	50	°C	V <sub>DC</sub> = 5.0 V ± 10%

## 6 IMPLEMENTATION DESCRIPTION

### 6.1 Bus Transceivers

Bus Transceivers have been used on the daughterboard to minimize the loading presented to the motherboard microprocessor. Two 74HCT244's buffer all eight upper address bits, the microprocessor control signals, and the external clock and framing pulse inputs. A single 74HCT245 provides the bi-directional buffering of the multiplexed address/data bus. All motherboard signals from the 96-pin DIN connector have been tied through SIPs to insure proper standalone operation. The standard techniques outlined in the EVMB datasheet for implementing the decoding and buffering has been followed.

### 6.2 Decode Logic

The decode logic provides the address mapping of all internal registers of both T1XC's as well as providing generation of the required RDB and WRB signals. Again the implementation of the decode logic has followed the techniques outlined in the EVMB datasheet. T1XC #1 (EAST) is mapped starting at address C000H and T1XC #2 (WEST) is mapped starting at address C100H. Two unused chip selects, active for address ranges C200-C2FFH and C300-C3FFH, are available for use on the prototype section. The full register map is given below:

East T1XC	West T1XC	Description
C000H	C100H	T1XC Receive Options
C001H	C101H	T1XC Receive Backplane Options
C002H	C102H	T1XC Datalink Options
C003H	C103H	T1XC Receive DS1 Interface Configuration
C004H	C104H	T1XC Transmit DS1 Interface Configuration
C005H	C105H	T1XC Transmit Backplane Options
C006H	C106H	T1XC Transmit Framing and Bypass Options
C007H	C107H	T1XC Transmit Timing Options
C008H	C108H	T1XC Master Interrupt Source #1
C009H	C109H	T1XC Master Interrupt Source #2
C00AH	C10AH	T1XC Master Diagnostics
C00BH	C10BH	T1XC Master Test
C00CH	C10CH	T1XC Revision/Chip ID
C00DH	C10DH	T1XC Master Reset
C00EH	C10EH	T1XC Phase Status Word (LSB)
C00FH	C10FH	T1XC Phase Status Word (MSB)

C010H	C110H	CDRC TSB Configuration
C011H	C111H	CDRC TSB Interrupt Enable
C012H	C112H	CDRC TSB Interrupt Status
C014H	C114H	XPLS TSB Line Length Configuration
C015H	C115H	XPLS TSB Control/Status
C016H	C116H	XPLS TSB CODE Indirect Address
C017H	C117H	XPLS TSB CODE Indirect Data
C018H	C118H	DJAT TSB Interrupt Status
C019H	C119H	DJAT TSB Reference Clock Divisor (N1) Control
C01AH	C11AH	DJAT TSB Output Clock Divisor (N2) Control
C01BH	C11BH	DJAT TSB Configuration
C01CH	C11CH	ELST TSB Configuration
C01DH	C11DH	ELST TSB Interrupt Enable/Status
C01EH	C11EH	ELST TSB Trouble Code
C020H	C120H	FRMR TSB Configuration
C021H	C121H	FRMR TSB Interrupt Enable
C022H	C122H	FRMR TSB Interrupt Status
C02AH	C12AH	RBOC TSB Enable
C02BH	C12BH	RBOC TSB Code Status
C02CH	C12CH	ALMI TSB Configuration
C02DH	C12DH	ALMI TSB Interrupt Enable
C02EH	C12EH	ALMI TSB Interrupt Status
C02FH	C12FH	ALMI TSB Alarm Detection Status
C030H	C130H	TPSC TSB Configuration
C031H	C131H	TPSC TSB $\mu$ P Access Status
C032H	C132H	TPSC TSB Channel Indirect Address/Control
C033H	C133H	TPSC TSB Channel Indirect Data Buffer
C034H	C134H	XFDL TSB Configuration
C035H	C135H	XFDL TSB Interrupt Status
C036H	C136H	XFDL TSB Transmit Data
C038H	C138H	RFDL TSB Configuration
C039H	C139H	RFDL TSB Interrupt Status/Control
C03AH	C13AH	RFDL TSB Status
C03BH	C13BH	RFDL TSB Receive Data
C03CH	C13CH	IBCD TSB Configuration
C03DH	C13DH	IBCD TSB Interrupt Enable/Status
C03EH	C13EH	IBCD TSB Activate Code
C03FH	C13FH	IBCD TSB Deactivate Code
C040H	C140H	SIGX TSB Configuration
C041H	C141H	SIGX TSB $\mu$ P Access Status
C042H	C142H	SIGX TSB Channel Indirect Address/Control

C043H	C143H	SIGX TSB Channel Indirect Data Buffer
C044H	C144H	XBAS TSB Configuration
C045H	C145H	XBAS TSB Alarm Transmit
C046H	C146H	XBAS TSB Control
C047H	C147H	XIBC TSB Loopback Code
C049H	C149H	PMON TSB Interrupt Enable/Status
C04AH	C14AH	PMON TSB LCV Count (LSB)
C04BH	C14BH	PMON TSB LCV Count (MSB)
C04CH	C14CH	PMON TSB BEE Count (LSB)
C04DH	C14DH	PMON TSB BEE Count (MSB)
C04EH	C14EH	PMON TSB FER Count
C04FH	C14FH	PMON TSB OOF/COFA Count
C050H	C150H	RPSC TSB Configuration
C051H	C151H	RPSC TSB $\mu$ P Access Status
C052H	C152H	RPSC TSB Channel Indirect Address/Control
C053H	C153H	RPSC TSB Channel Indirect Data Buffer
C055H	C155H	PDVD TSB Interrupt Enable/Status
C057H	C157H	XBOC TSB Code
C059H	C159H	XPDE TSB Interrupt Enable/Status
C05DH	C15DH	RSLC TSB Interrupt Enable/Status

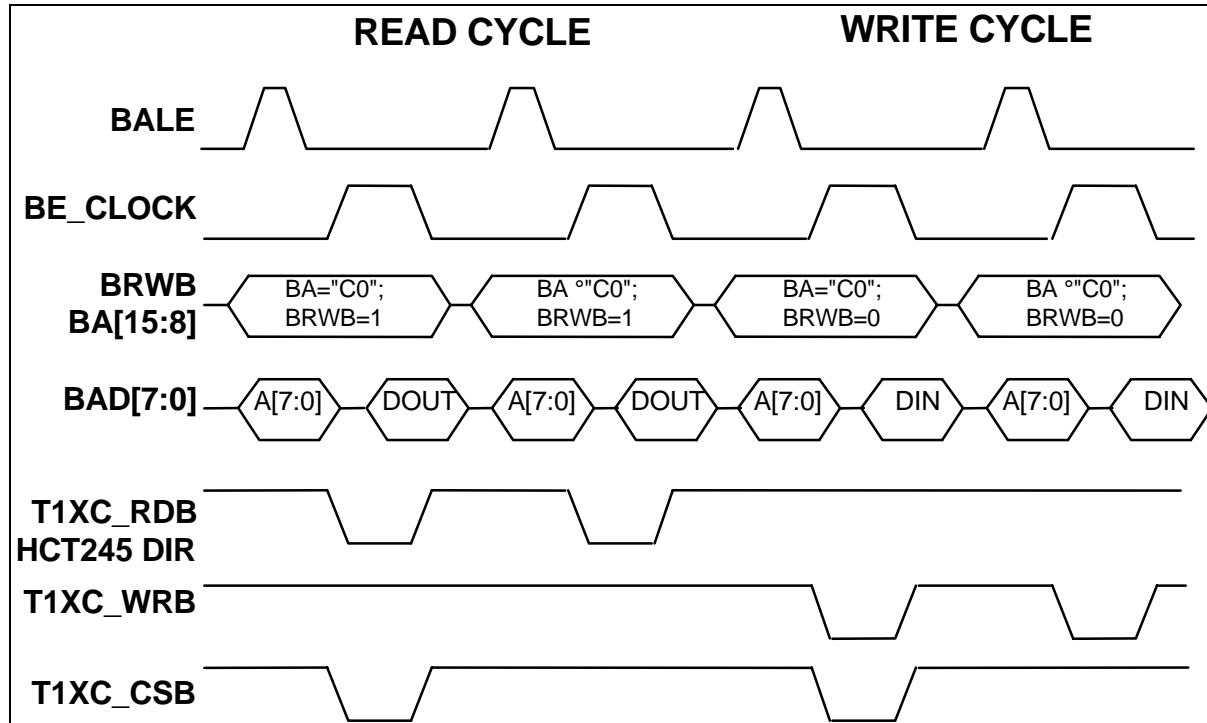


Figure 4: Decode Logic Waveforms

### 6.3 Clock PLL and DIP Switches

One Mitel MT8940 provides all clocks necessary to drive the various backplane rates supported by the T1XC. The MT8940 is a dual digital PLL which can provide timing and synchronization signals for T1 or CEPT transmission links and the ST-BUS. The first PLL provides the T1 clock (1.544 MHz) synchronized to an input framing pulse. The second PLL provides CEPT or ST-BUS timing signals synchronized to an internal or external framing pulse signal. For a more detailed description of the device, refer to the datasheet on the MT8940 in the Mitel Semiconductor Databook.

All outputs of the MT8940 are either brought out to header blocks or routed to the CSU connector DIP sockets. A single 8-position DIP switch provides control over the mode of the MT8940 device as well as control over the output clock enables. If the MT8940 is not used, it can be removed from the daughterboard and its oscillators can be replaced with 1.544 MHz and 2.048 MHz devices. The PLL oscillator clock outputs are conveniently brought out to the header strip for use on the daughterboard.

The mapping of the DIP switches to the MT8940 ports is as follows:

Switch ID	Label	Mapping
SW1-1	MS0	MS0 (Mode Select '0')
SW1-2	MS1	MS1 (Mode Select '1')
SW1-3	MS2	MS2 (Mode Select '2')
SW1-4	MS3	MS3 (Mode Select '3')
SW1-5	ENC2	ENC20 (Active high enable control for pins C2O and C2OB )
SW1-6	ENCV	ENCV (Active high enable control for pins CV and CVB )
SW1-7	ENC4	ENC40 (Active high enable control for pins C4O and C4OB )
SW1-8		Unused

Setting these switches selects the operating mode for the MT8940, as described below:

Mode #	MS[0:3]	DPLL #1 Operating Mode	DPLL #2 Operating Mode
0	0000	Normal Mode: Generates the 1.544 MHz T1 clock synchronized to the falling edge of the input framing pulse.	Externally applied 4.096 MHz. clock and 8 kHz. frame pulse, properly phase related, are used to generate the 2.048 MHz output clock.
1	0001	Normal Mode Operates as above.	Normal Mode: Generates the CEPT (ST-BUS) timing signals locked to the 8 kHz input signal (C8KB)
2	0010	Normal Mode Operates as above.	Externally applied 4.096 MHz. clock is used to generate the 2.048 MHz output clock and 8 kHz frame pulse.
3	0011 DEFAULT CONFIG	Normal Mode Operates as above.	Normal Mode Generates the CEPT (ST-BUS) timing signals locked to the 8 kHz input signal (C8KB)

4	0100	<p>Divide-1 Mode:</p> <p>Divides the CVB input signal by 193. The divided output is connected to DPLL #2</p>	<p>Externally applied 4.096 MHz. clock and 8 kHz. frame pulse, properly phase related, are used to generate the 2.048 MHz output clock.</p>
5	0101	<p>Divide-1 Mode</p> <p>Operates as above</p>	<p>Single Clock-1 Mode:</p> <p>Provides the CEPT/ST-BUS compatible timing signals locked to an 8 kHz. internal signal provided by DPLL #1.</p>
6	0110	Divide-1 Mode	Same as 'mode 2'
7	0111	Divide-1 Mode	Single Clock-1 Mode
8	1000	Normal Mode	Same as 'mode 0'
9	1001	Normal Mode	<p>F0B becomes an input. DPLL #2 provides the ST-BUS signals locked onto F0B input only if it is 16 kHz.</p>
10	1010	Normal Mode	Same as 'mode 2'
11	1011	Normal Mode	<p>Free Run Mode</p> <p>Provides the CEPT/ST-BUS compatible timing and framing signals with no external inputs other than the master clock.</p>
12	1100	<p>Divide-2 Mode:</p> <p>Divides the CVB input by 256. The divided output is connected to DPLL #2</p>	Same as 'mode 0'
13	1101	Divide-2 Mode	<p>Single Clock-2 Mode:</p> <p>Provides the CEPT/ST-BUS signals locked to the 8 kHz. internal signal provided by DPLL #1</p>
14	1110	Divide-2 Mode	Same as 'mode 2'
15	1111	Divide-2 Mode	Single Clock-2 Mode

## **6.4 T1XC**

Two T1XCs can be socketed into the daughterboard. Each is individually accessible and can run independently of the other. All pins except for the microprocessor interface and power pins are connected to header strips for easy test equipment access. Analog receive power pin RAVD is connected to a jumper to enable tying to either ground or power. Tying this pin to ground will disable the internal RSLC TSB, reducing the power consumed. Tying the RAVD pin to VCC enables the normal operating mode. All other power pins are appropriately decoupled and all inputs are tied high through 10 k $\Omega$  resistors SIPs.

For a more detailed description of the T1XC and its features, refer to the T1XC Standard Product datasheet.

## **6.5 "CSU" DIPs and Jumpers**

Normally, the two T1XCs run independently of each other except when explicit connections are made between the two devices. To facilitate testing of a simple application involving two devices appropriate control signals have been wired to two 16 pin DIP sockets and six jumpers to enable hooking up the T1XCs in a "CSU"-like application.

Both T1XCs are connected in a symmetrical fashion and most connections are completed by installing shorting bar jumpers into the two 16 pin DIP sockets labeled for the CSU set-up. The remaining unconnected signals are BRCLK, BRFP1, and BTCLK. By installing jumpers across pins 1 and 2 of each of jumper blocks J19 and J20, between pins 3 and 4 of each of the jumper blocks J21, J22, J23, J24, and between pin 2 and 3 of jumper block J30, a "CSU" like application can be implemented where the 1.544 MHz clock for the backplane between the two T1XC devices is provided by the MT8940, which in turn is locked to the recovered clock provided by T1XC #1. Bits 1 and 2 of SW1 must be closed; the remaining bits open. By appropriately making jumper connections to the other available clock options, the backplane can be run at different rates, such as 1.544 MHz, 2.048 MHz, or at an externally supplied clock rate.



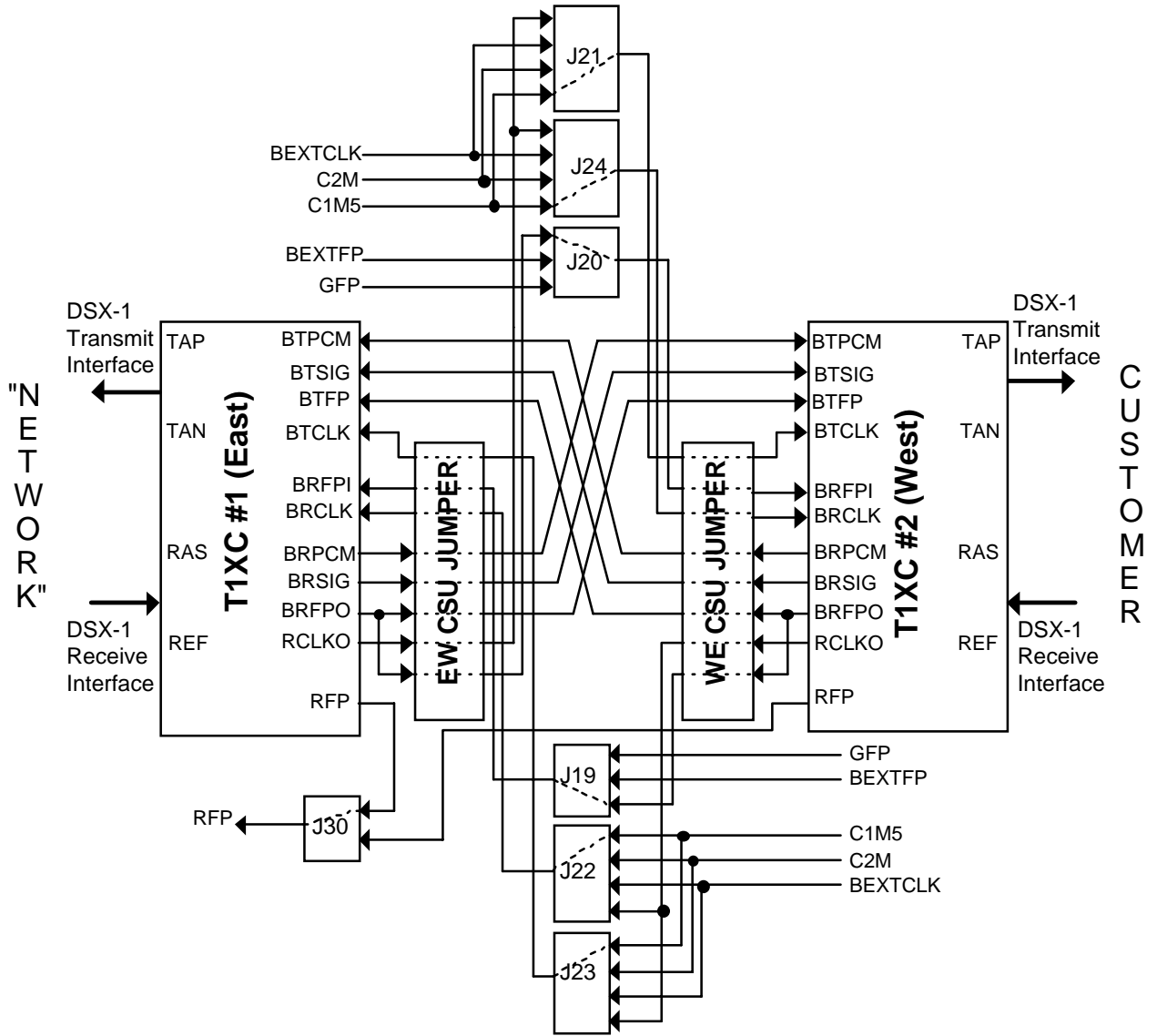


Figure 5: "CSU" Circuit Overview

**6.6 Transmit/Receive Interfaces**

Three different transmit and receive interfaces are provided on the daughterboard. The digital interface can be used by connecting to the two header blocks immediately adjacent to each T1XC. Header blocks J13 and J15 provide the digital interface for the east T1XC while headers J14 and J16 provide the interface for the west T1XC. Before making use of these pins, the analog receiver of each T1XC

should be disabled. This is done by moving the jumpers on J31 and J3, which provide power to RAVD, to the grounding position.

Two DSX-1 analog interfaces are also provided. Both the transmit and receive DSX-1 interfaces on each T1XC can be connected to either a mini-bantam or BNC connector. The analog transmit and receive interface are passed through a 1:1.36 and 2:1 transformer, respectively, and then connected to either Bantam or BNC connectors. The mini-bantam is terminated with a 100 ohm resistor to prevent "kick-back" when a plug is inserted or removed from the jack. The BNC interface is a standard 50 ohm coax with stuffing options for ground or resistor connections across the shield (or barrel). While some test equipment may require a 75 ohm interface, a 50 ohm connection should not cause any appreciable mismatch for test frequencies used by the T1XC or E1XC devices.

## **7 T1XC DAUGHTERBOARD FIRMWARE DESCRIPTION**

The EVMB evaluation board provides a serial interface for hooking up a standard "VT100" type terminal. The RF2 SERIAL 25-pin D-type connector on the EVMB is configured as a DCE, 9600 BAUD, 8 bit, NO PARITY, one STOP bit. Connecting a terminal to this port, setting switch 2 on the MODE switch bank to CLOSED and pressing the RESET switch on the EVMB will enable console control.

When the system is started cold or after a hardware reset, the first output to the console will be the Forth kernel identification followed by a prompt:

```
Max-FORTH vX.X
>
```

The first commands that should be downloaded into the system after a cold boot should be (note: each line must be terminated with a "carriage return"; the text within parenthesis are comments and do not have to be typed in):

```
HEX          ( Set up Hex number base )
100 TIB !    ( Relocate text input buffer to eRAM address
100H )
50 TIB 2+ !  ( Define 80 character text input buffer length )
200 DP !     ( Set up Dictionary Pointer )
```

After inputting each of these commands followed by a carriage return, the FORTH interpreter should respond with an "OK" signifying it has accepted it. Any failure to properly input these set-up statements will be characterized by a "?" response from the interpreter and/or by errors when inputting any subsequent data. Further, if an error occurred while entering the commands to relocate the text input buffer or redefine its length, the text buffer will be unable to accept more than the default 16 characters per line input.

The following Forth code was developed for the T1XC daughterboard and presented here as an example. To set-up the T1XC, all that is minimally required is the above EVMB initialization words, the register address CONSTANT definitions, and the RD and WR routines. The remaining words are useful for exercising the more advanced features of the T1XC.

```
( Define addresses of TSBs for T1XC #1: EAST )
C000 CONSTANT RXOPT
C001 CONSTANT RXBPOPT
C002 CONSTANT DLOPT
C003 CONSTANT RXDSL
```

C004 CONSTANT TXDS1  
C005 CONSTANT TXBPOPT  
C006 CONSTANT TXBYP  
C007 CONSTANT TIMOPT  
C008 CONSTANT INT1SRC  
C009 CONSTANT INT2SRC  
C00A CONSTANT DIAG  
C00B CONSTANT MTEST  
C00C CONSTANT REVID  
C00D CONSTANT MRST  
C00E CONSTANT PSWL  
C00F CONSTANT PSWH  
C010 CONSTANT CDRC  
C014 CONSTANT XPLS  
C018 CONSTANT DJAT  
C01C CONSTANT ELST  
C020 CONSTANT FRMR  
C02A CONSTANT RBOC  
C02C CONSTANT ALMI  
C030 CONSTANT TPSC  
C034 CONSTANT XFDL  
C038 CONSTANT RFDL  
C03C CONSTANT IBCD  
C040 CONSTANT SIGX  
C044 CONSTANT XBAS  
C046 CONSTANT XIBC  
C048 CONSTANT PMON  
C050 CONSTANT RPSC  
C054 CONSTANT PDVD  
C056 CONSTANT XBOC  
C058 CONSTANT XPDE  
C05C CONSTANT RSLC  
C04A CONSTANT LCLK  
B02F CONSTANT SCDR

( Addresses for T1XC #2: WEST )  
( uncomment if used )

( C100 CONSTANT RXOPT2 )  
( C101 CONSTANT RXBPOPT2 )  
( C102 CONSTANT DLOPT2 )  
( C103 CONSTANT RXDS12 )  
( C104 CONSTANT TXDS12 )  
( C105 CONSTANT TXBPOPT2 )  
( C106 CONSTANT TXBYP2 )  
( C107 CONSTANT TIMOPT2 )  
( C108 CONSTANT INT1SRC2 )  
( C109 CONSTANT INT2SRC2 )  
( C10A CONSTANT DIAG2 )  
( C10B CONSTANT MTEST2 )

```

( C10C CONSTANT REVID2      )
( C10D CONSTANT MRST2      )
( C10E CONSTANT PSWL2      )
( C10F CONSTANT PSWH2      )
( C110 CONSTANT CDRC2      )
( C114 CONSTANT XPLS2      )
( C118 CONSTANT DJAT2      )
( C11C CONSTANT ELST2      )
( C120 CONSTANT FRMR2      )
( C12A CONSTANT RBOC2      )
( C12C CONSTANT ALMI2      )
( C130 CONSTANT TPSC2      )
( C134 CONSTANT XFDL2      )
( C138 CONSTANT RFDL2      )
( C13C CONSTANT IBCD2      )
( C140 CONSTANT SIGX2      )
( C144 CONSTANT XBAS2      )
( C146 CONSTANT XIBC2      )
( C148 CONSTANT PMON2      )
( C150 CONSTANT RPSC2      )
( C154 CONSTANT PDVD2      )
( C156 CONSTANT XBOC2      )
( C158 CONSTANT XPDE2      )
( C15C CONSTANT RSLC2      )

( C14A CONSTANT LCLK2      )

( Define Register Offset words      )
( Most TSBS follow this standard )

: CONFIG      ; ( --- )
: ENABLE 1+ ; ( addr --- addr+1 )
: STATUS 2+ ; ( addr --- addr+2 )
: DATA 3 + ; ( addr --- addr+3 )

( Read memory address, or register, contents )
( Usage:  ADDRESS RD <return>          )

: RD          ( addr --- )
  C@ ." = " U.
  ." HEX" CR ;

( Write memory address, or register, contents )
( Usage:  ADDRESS DATA WR <return>    )

: WR          ( addr data --- )
  SWAP C! ;

( Print 1 or 0 to screen, depending on stack value )

```

```

: DBIT          ( bitfld --- )
  0> IF      1
    ELSE 0 THEN . ;

: .CR . CR ;

( Print in Right Justified format using 5 character wide field
)

: .RCR 5 .R CR ;

( VT100 clear screen by sending )
( ESC[H and ESC[J              )

: CLS          ( --- )
  1B EMIT 5B EMIT 48 EMIT
  1B EMIT 5B EMIT 4A EMIT ;

: HDLC        ( --- )
( Read RFDL status and data regs )
( waiting for interrupt. When INT)
( recv'd, echo data to screen and)
( display status bits. Continues )
( in a loop until any key on the )
( keyboard is pressed.           )
CR
02 RFDL ENABLE C! ( enable RFDL )
01 RFDL C!

BEGIN
  RFDL ENABLE C@ 01 AND 0> IF
    RFDL DATA C@ DUP ." DATA=" U.
    ." (" EMIT ." ) "
    RFDL STATUS C@ DUP
    ." OVR=" 40 AND DBIT DUP
    ." FLG=" 20 AND DBIT DUP
    ." EOM=" 10 AND DBIT DUP
    ." CRC=" 08 AND DBIT
    ." NVB=" 07 AND DECIMAL .CR
    HEX
  THEN
    ?TERMINAL
  UNTIL
  SCDR C@ DROP ( remove key pressed )
              ( from uP input reg )
  00 RFDL C! ; ( disable RFDL      )

: RDPERF      ( --- )
( Generates a LCLK strobe to PMON )

```

```

( to latch and transfer counter )
( values. Counts are displayed in )
( decimal. )
LCLK 0 WR ( strobe LCLK )
PMON 2+ DUP @ >< 0FFF AND SWAP
2+ DUP @ >< 01FF AND SWAP
2+ DUP C@ 1F AND SWAP
1+ C@ 07 AND DECIMAL CR
." OOF=" .RCR
." FER=" .RCR
." BEE=" .RCR
." LCV=" .RCR HEX ;

( Define word to check TPSC BUSY )

: TBUSY? ( --- FLAG )
TPSC 1+ C@ 80 AND 0> ;

( Define word to check RPSC BUSY )

: RBUSY? ( --- FLAG )
RPSC 1+ C@ 80 AND 0> ;

: IDL
FFF 0 DO LOOP ;

( Define word to indirectly write TPSC )

: TWIND ( ADDR DATA --- )
TPSC 3 + C! ( PUT DATA IN IND DATA REG )
7F AND ( SET R/WB BIT LOW )
TPSC 2+ C! ( PUT ADDR IN IND ADDR REG )
IDL
BEGIN TBUSY? WHILE REPEAT ;

( Define word to indirectly READ TPSC )

: TRIND ( ADDR --- DATA )
80 OR ( SET R/WB BIT HIGH )
TPSC 2+ C! ( PUT ADDR IN IND ADDR REG )
IDL
BEGIN TBUSY? WHILE REPEAT
TPSC 3 + C@ ;

( Define word to initialize TPSC to all zeros )

: TINIT
49 1 DO I 0 TWIND LOOP ;

```

```

( Define XMIT  DMW on given channel )
: TDMW          ( CHAN --- )
  20 TWIND ;

( Define word to indirectly write RPSC )

: RWIND          ( ADDR DATA --- )
  RPSC 3 + C!    ( PUT DATA IN IND DATA REG )
  7F AND         ( SET R/WB BIT LOW )
  RPSC 2+ C!     ( PUT ADDR IN IND ADDR REG )
  IDL
  BEGIN RBUSY?  WHILE REPEAT ;

( Define word to indirectly READ RPSC )

: RRIND          ( ADDR --- DATA )
  80 OR          ( SET R/WB BIT HIGH )
  RPSC 2+ C!     ( PUT ADDR IN IND ADDR REG )
  IDL
  BEGIN RBUSY?  WHILE REPEAT
  RPSC 3 + C@ ;

( Define word to initialize RPSC to all zeros )
: RINIT
  49 1 DO I 0 RWIND LOOP ;

( Define XMIT  DMW on given channel )
: RDMW          ( CHAN --- )
  20 RWIND ;

( Define programmable idle loop )
: PIDL          ( DELAY --- )
  0 DO LOOP ;

: POLL          ( --- )
  ( Read PMON data regs. Continues in a loop )
  ( until any key on the keyboard is pressed. )
  ( Data is displayed on screen in tabular form )
  ( and is updated approx every second. )
  ( Data changes dynamically. )

  CLS
  0
  BEGIN
  1B EMIT 5B EMIT 48 EMIT
  DUP ." TIME=" DECIMAL . HEX
  1+
  RDPERF
  IDL IDL IDL IDL F7F PIDL
  ?TERMINAL

```



```

UNTIL
SCDR C@ DROP ; ( remove key pressed )
                ( from uP input reg  )

( Define word to write XPLS D/A code value )

: XWR          ( DATA ADDR --- )
XPLS 2+ C!    ( SELECT CODE REG )
XPLS 3 + C! ; ( WRITE CODE VALUE)

( Define word to READ XPLS D/A code value )

: XRD          ( ADDR --- )
XPLS 2+ C!    ( SELECT CODE REG )
XPLS 3 + C@   ( READ CODE VALUE)
U. ." " ;

( Write complete template values to XPLS )
( Usage: Value1 Value2 ... Value8 WRTEMPL )

: WRTEMPL ( C1 C2 C3 C4 C5 C6 C7 C8 --- )
8 0 DO 7 I - XWR LOOP ;

( Read all template values from XPLS      )
( Usage: RDTEMPL                          )
( uP response: Value1 Value2 ... Value8  )
( [in HEX]                                )

: RDTEMPL ( --- )
8 0 DO I XRD LOOP ;

```

To use these functions, use the following syntax (the interpreter response is shown in italics):

```

FRMR STATUS RD = FF HEX      ( Read T1XC #1 FRMR reg #2 contents )
)
OK

XBAS 10 WR OK                ( Write 10 hex to T1XC #1 XBAS reg )
0 )

```

This document is not intended to give a full tutorial in FORTH, which is better covered in the many FORTH books available. The FORTH kernel on the 68HC11 on the EVMB is based upon the FORTH-83 standard and should be upward compatible from FORTH-79. For a complete, detailed FORTH tutorial, refer to the manuals listed in the references.

## 8 STOCK LIST

Item	Qty	Reference	Description
1		C1, C4	Not Installed
2	2	C2, C5	0.68 $\mu$ F ceramic capacitor, 0.3" spacing, 100VDC
3	2	C3, C6	0.1 $\mu$ F ceramic capacitor, 0.3" spacing, 100VDC
4	2	C7, C8	47 nF ceramic capacitor, 0.2" spacing, 100VDC
5	2	C9, C10	470 nF ceramic capacitor, 0.2" spacing, 100VDC
6	25	C11, C12, C13, C14, C15, C16, C17, C18, C19, C20, C21, C22, C23, C24, C25, C26, C27, C28, C29, C30, C31, C32, C33, C34, C35	0.01 $\mu$ F ceramic Capacitor, 0.2" spacing, 100VDC

<b>7</b>	4	J1, J2, J3, J4	ADC PC834 Bantam PCB Jack <u>with cover</u>
<b>8</b>	4	J5, J6, J7, J8	Molex 73136-5001 BNC PCB Mount Jack, 50 ohm impedance
<b>9</b>	1	J9, J10, J11, J12	INDUS 929647-01-36 breakable male straight single row strip headers, 0.1" spacing, tin plated, 36 contacts - CUT INTO LENGTHS OF 5 CONTACTS EACH
<b>10</b>	1	J13, J14	INDUS 929647-01-36 breakable male straight single row strip headers, 0.1" spacing, tin plated, 36 contacts - CUT INTO LENGTHS OF 6 CONTACTS EACH
<b>11</b>	1	J15, J16	INDUS 929647-01-36 breakable male straight single row strip headers, 0.1" spacing, tin plated, 36 contacts - CUT INTO LENGTHS OF 7 CONTACTS EACH
<b>12</b>	1	J17, J18	INDUS 929647-01-36 breakable male straight single row strip headers, 0.1" spacing, tin plated, 36 contacts - CUT INTO LENGTHS OF 9 CONTACTS EACH
<b>13</b>	1	J19, J20	Dual row male header strip, tin plated, 0.1" spacing, straight, 50 contacts total, INDUS 923866 - CUT INTO LENGTHS OF 3 CONTACT PAIRS EACH
<b>14</b>	1	J21, J22, J23, J24	Dual row male header strip, tin plated, 0.1" spacing, straight, 50 contacts total, INDUS 923866 - CUT INTO LENGTHS OF 4 CONTACT PAIRS EACH
<b>15</b>	1	J25, J27, J28	INDUS 929647-01-36 breakable male straight single row strip headers, 0.1" spacing, tin plated, 36 contacts - CUT INTO LENGTHS OF 2 CONTACTS EACH
<b>16</b>	1	J26, J31, J32	Dual row male header strip, tin plated, 0.1" spacing, straight, 50 contacts total, INDUS 923866 - CUT INTO LENGTHS OF 2 CONTACT PAIRS EACH

<b>17</b>	1	J29	INDUS 929647-01-36 breakable male straight single row strip headers, 0.1" spacing, tin plated, 36 contacts - CUT INTO A LENGTH OF 12 CONTACTS
<b>18</b>	1	J30	INDUS 929647-01-36 breakable male straight single row strip headers, 0.1" spacing, tin plated, 36 contacts - CUT INTO A LENGTH OF 3 CONTACTS
<b>19</b>	1	P1	Right angle mount, 96 pin male DIN edge connector, Winchester 96P-6033-0731-0
<b>20</b>	2	R1, R6	1 $\Omega$ , 1/4 W, 5% Resistor
<b>21</b>		R2, R7, R11, R12, R13, R14, R15, R16, R17, R18	Not Installed
<b>22</b>	2	R3, R8	9.0 k $\Omega$ , 1/4 W, 1% Resistor
<b>23</b>	2	R4, R9	412 $\Omega$ , 1/4 W, 1% Resistor
<b>24</b>	2	R5, R10	1.1 k $\Omega$ , 1/4 W, 1% Resistor
<b>25</b>	4	R19, R20, R21, R22	100 $\Omega$ , 1/4 W, 5%
<b>26</b>	2	R23, R24	316 k $\Omega$ , 1/4 W, 5% Resistor
<b>27</b>	2	R25, R26	270 $\Omega$ , 1/4 W, 5%
<b>28</b>	2	R27, R28	330 $\Omega$ , 1/4 W, 5%

<b>29</b>		R29, R30, R31, R32, R33, R34, R35, R36, R37	Not Used
<b>30</b>	3	R38, R39, R40	10 kΩ, 1/8 W, 5% Resistor
<b>31</b>	8	RN1, RN2, RN3, RN4, RN5, RN6, RN7, RN8,	10 pin 9 resistor SIP - 10KΩ, 5%
<b>32</b>	1	SW1	8 position SPST DIP switch, Grayhill 76SB08
<b>33</b>	6	S_T1, S_T2, S_U1, S_U2, S_U14, S_U15	14 pin DIP Socket
<b>34</b>	2	S_U3, S_U4	68 Pin PLCC Socket, through hole, AMP 821574-1
<b>35</b>	2	S_U5, S_U6	16 pin DIP Socket
<b>36</b>	1	S_U13	24 pin DIP Socket, 0.6" wide
<b>37</b>	2	T1, T2	Dual 1:2CT & 1:1.36 transformer: BH Electronics 500-1777, OR Pulse Engineering PE64952 Q7789-3
<b>38</b>	1	U1	NDK 37.056 MHz Oscillator in half inch case, TTL levels
<b>39</b>		U2	Not Installed

<b>40</b>	2	U3, U4	T1XC - Single DSX-1 Transceiver, PM4341
<b>41</b>	2	U5, U6	U-Link - 8 connections
<b>42</b>	2	U7, U8	74HCT244 Bus Transceiver
<b>43</b>	1	U9	74HCT245 Bi-Directional Bus Transceiver
<b>44</b>	1	U10	74HC138 3 to 8 line demux
<b>45</b>	1	U11	74HC139 Dual 2 to 4 line demux
<b>46</b>	1	U12	74HC00 Quad NAND gate
<b>47</b>	1	U13	Mitel MT8940AC T1/CEPT PLL, Ceramic DIP
<b>48</b>	1	U14	FOX 16.388 MHz Oscillator in half inch case, TTL levels
<b>49</b>	1	U15	FOX 12.355 MHz Oscillator in half inch case, TTL levels
<b>50</b>	10	Sh_J19, Sh_J20, Sh_J21, Sh_J22, Sh_J23, Sh_J24, Sh_J25, Sh_J30, Sh_J31, Sh_J32	Header Shunt 0.1" spacing, Texttech 41670300-P4

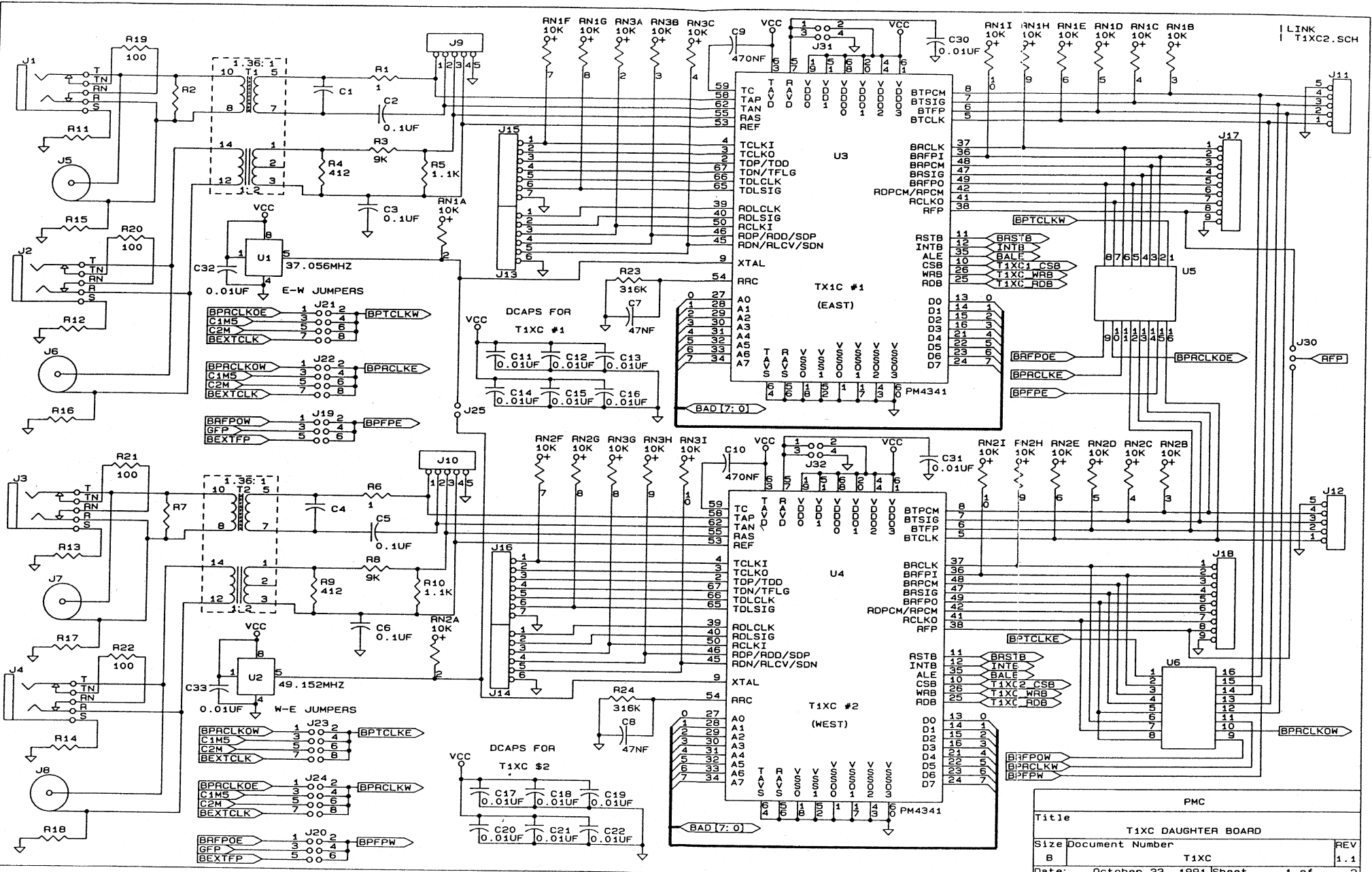
## **9 REFERENCES**

- PMC-900602, T1-T1XC-DS, "Single DSX-1 Transceiver Device Datasheet", July 1991, Issue 2
- PMC-920235, EVMB-DS, "PMC Device Evaluation Motherboard Datasheet", Feb. 1992, Issue 1
- "FORTH: A Text and Reference", Mahlon G. Kelly, Nicolas Spies, Prentice-Hall 1986
- "Understanding FORTH", J. Reymann, Alfred Publishing Co., 1983
- Mitel 9191-952-005-NA, "Microelectronics Digital Communications Handbook", Issue 8, 1991.
- PMC-891007, T1-T1XC, "Single DSX-1 Transceiver Device Engineering Document". July 1991, Issue 5
- PMC-910501, EVMB, "PMC Device Evaluation Motherboard Engineering Document". Feb. 1992, Issue 3
- "MAX-FORTH Reference Manual (Preliminary Edition)". New Micros Inc., 1601 Chalk Hill Rd Dallas, Texas
- PMC-971216, "Evaluation Board Graphical User Interface User's Guide". Dec. 1997, Issue 1

- **APPENDIX 1: COMPONENT PLACEMENT DIAGRAM**

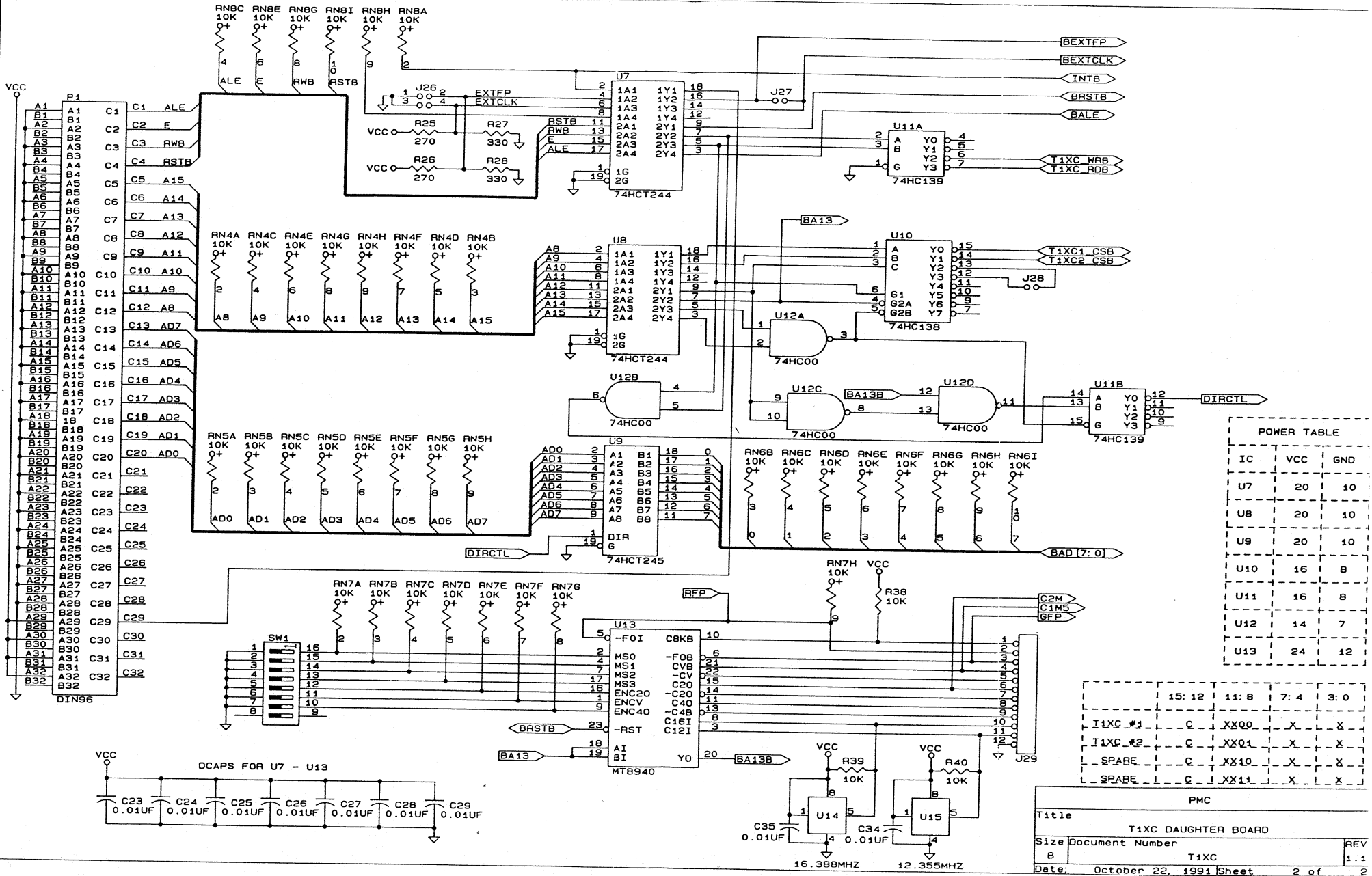


- **APPENDIX 2: SCHEMATICS**



LINK  
T1XC2.SCH

PMC		
Title	T1XC DAUGHTER BOARD	
Size	Document Number	REV
B	T1XC	1.1
Date:	October 22, 1991	Sheet 1 of 2



POWER TABLE		
IC	VCC	GND
U7	20	10
U8	20	10
U9	20	10
U10	16	8
U11	16	8
U12	14	7
U13	24	12

T1XC SIGNALS			
Signal	IC	Pin	Value
T1XC #1	C	XXQ0	X X
T1XC #2	C	XXQ1	X X
SPARE	C	XX10	X X
SPARE	C	XX11	X X

- **NOTES**

- **NOTES**

**CONTACTING PMC-SIERRA, INC.**

PMC-Sierra, Inc.  
105-8555 Baxter Place Burnaby, BC  
Canada V5A 4V7

Tel: (604) 415-6000

Fax: (604) 415-6200

Document Information: [document@pmc-sierra.com](mailto:document@pmc-sierra.com)  
Corporate Information: [info@pmc-sierra.com](mailto:info@pmc-sierra.com)  
Application Information: [apps@pmc-sierra.com](mailto:apps@pmc-sierra.com)  
Web Site: <http://www.pmc-sierra.com>

None of the information contained in this document constitutes an express or implied warranty by PMC-Sierra, Inc. as to the sufficiency, fitness or suitability for a particular purpose of any such information or the fitness, or suitability for a particular purpose, merchantability, performance, compatibility with other parts or systems, of any of the products of PMC-Sierra, Inc., or any portion thereof, referred to in this document. PMC-Sierra, Inc. expressly disclaims all representations and warranties of any kind regarding the contents or use of the information, including, but not limited to, express and implied warranties of accuracy, completeness, merchantability, fitness for a particular use, or non-infringement.

In no event will PMC-Sierra, Inc. be liable for any direct, indirect, special, incidental or consequential damages, including, but not limited to, lost profits, lost business or lost data resulting from any use of or reliance upon the information, whether or not PMC-Sierra, Inc. has been advised of the possibility of such damage.