

TOSHIBA BiCD Process Integrated Circuit Silicon Monolithic

TB62205FG

Single-Stepping Motor Driver IC with Dual DC/DC Converter Driven by Chopper Micro-Step Pseudo Sine Wave

The TB62205FG is a single-stepping motor driver with dual DCDC converter driven by chopper micro-step pseudo sine wave.

To drive a two-phase bipolar-type stepping motor, a 16-bit latch and a 16-bit shift register are built in the IC. The TB62205FG is suitable for driving stepping motors at high efficiency and with low-torque ripple, and supports Selectable Mixed Decay Mode for switching the attenuation ratio at chopping.

Also, the IC incorporates two DCDC converters, enabling two individually configurable power supplies.

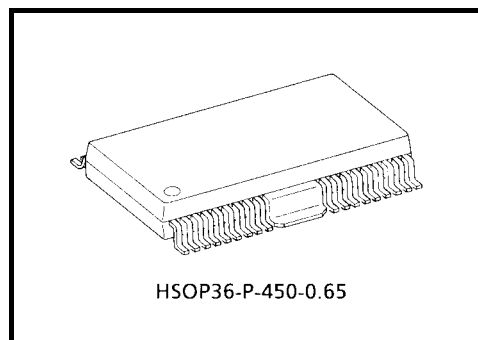
Features

- One stepping motor driven by micro-step pseudo sine wave is controlled by a single driver IC
- Enables to drive two-way supply voltage using a pair of step-down DC/DC converters
- Monolithic Bi-CMOS IC
Low ON-resistance of $R_{on} = 0.7 \Omega$ (@ $T_j = 25^\circ\text{C}$, 1.0 A: typ.)
- Motor block incorporating 16-bit serial-in shift register, 16-bit latch and 4-bit D/A converter for micro step drives
- On-chip 5-V regulator for internal circuit, enabling single power supply operation (VM) for the motor
- On-chip ISD and TSD circuits, and internal VDD/VM power-on reset circuit as protection circuits
- On-chip charge pump circuit (two external capacitors)
- Package: 36-pin power flat package (P-HSOP 3620-450-0.65)
- Motor maximum power supply voltage: 30 V (max), motor output current: 0.7 A (max)
- DCDC converter maximum input current: 1.2 A (max), maximum load current: 0.96 (A)
- On-chip Mixed Decay Mode enables specification of four-stage attenuation ratio.
- Chopping frequency can be set by external oscillator. High-speed chopping is possible at 100 kHz or higher.
- Also, DCDC frequency can be set by the external OSC.
- To set chopping at 100 kHz or higher is possible

Note: When using the IC, pay attention to thermal conditions.

These devices are easily damaged by high static voltage.
In regards to this, please handle with care.

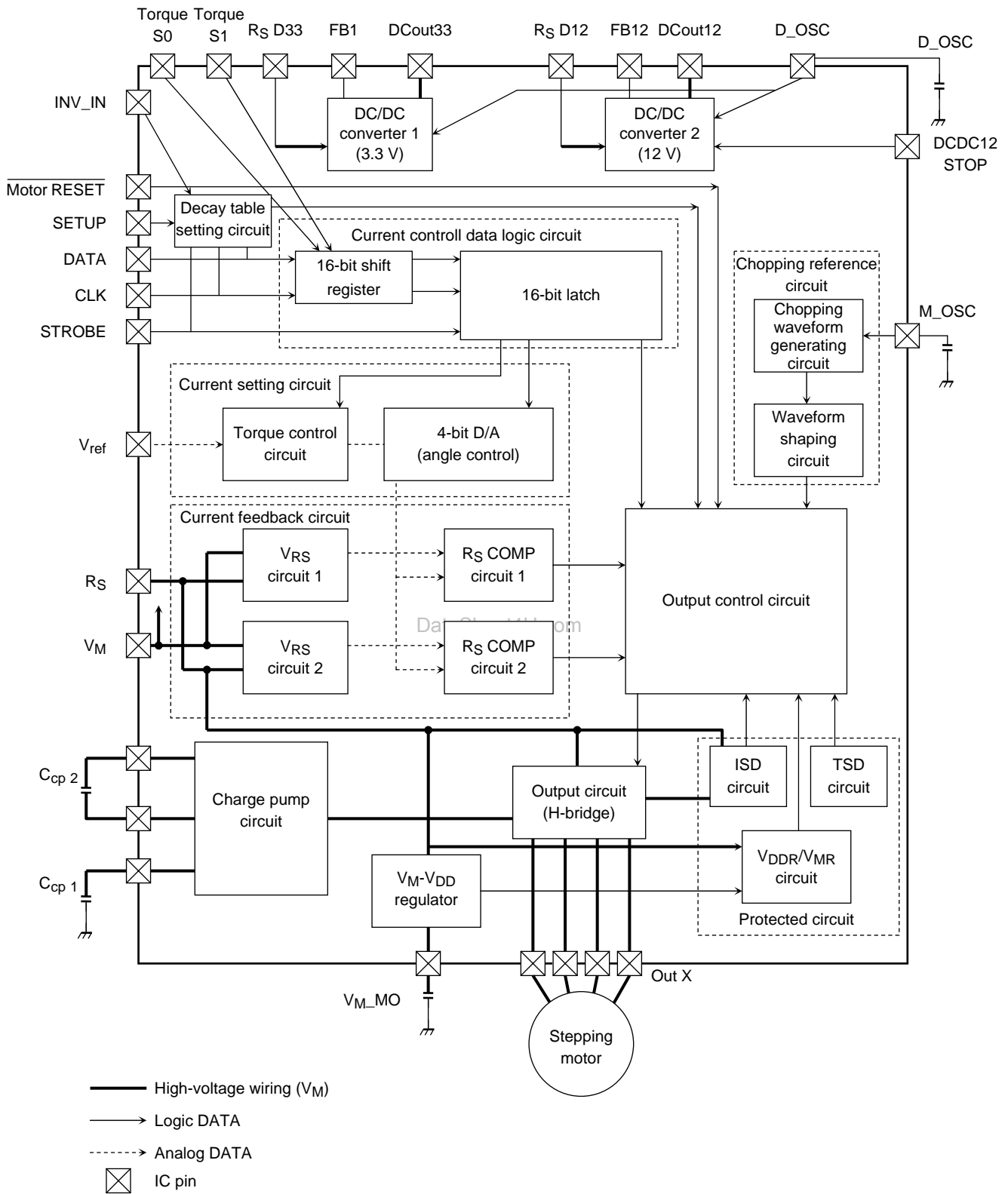
A schottky barrier diode (SBD) should be inserted between the output pin of the DCDC converter and ground.
(Recommended device: Toshiba CMS07)



Weight: 0.79 g (typ.)

Block Diagram

1. Overview

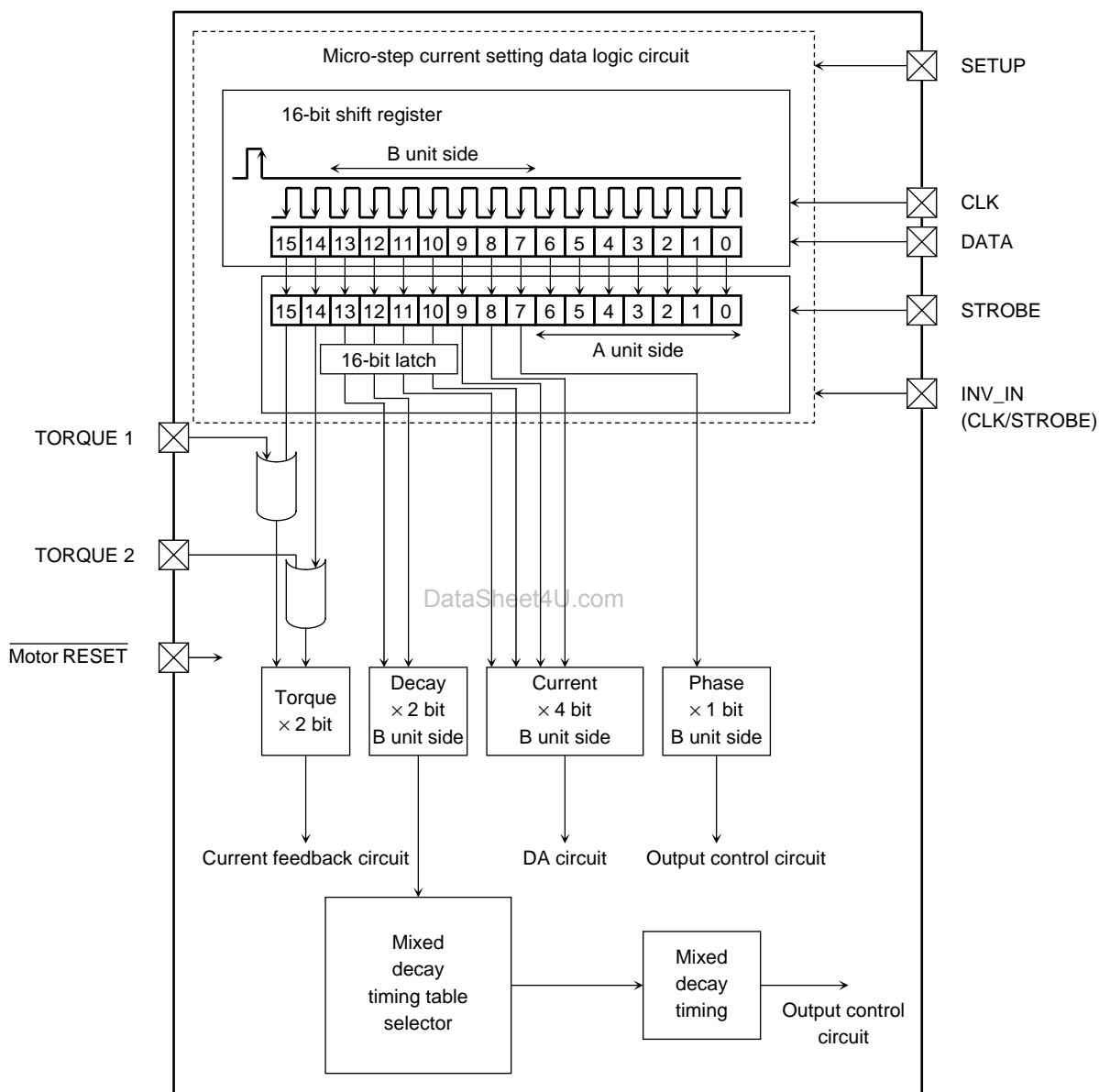


2. Logic unit for motor driver

Function

This circuit is used to input from the DATA pins micro-step current setting data and to transfer them to the subsequent stage. By switching the SETUP pin, the data in the mixed decay timing table can be rewrite

External input data and the 2-bit input signal from 16-bit shift register can be used to set the torque circuit. When 1 is input to one of them, 1 is reflected such as a function of OR gate.



Note: The Motor RESET and SETUP pins are pulled down in the IC by 100 kΩ resistor.

When the SETUP pin and the TORQUE pin are not used, connect them to ground. Otherwise, malfunction may occur.

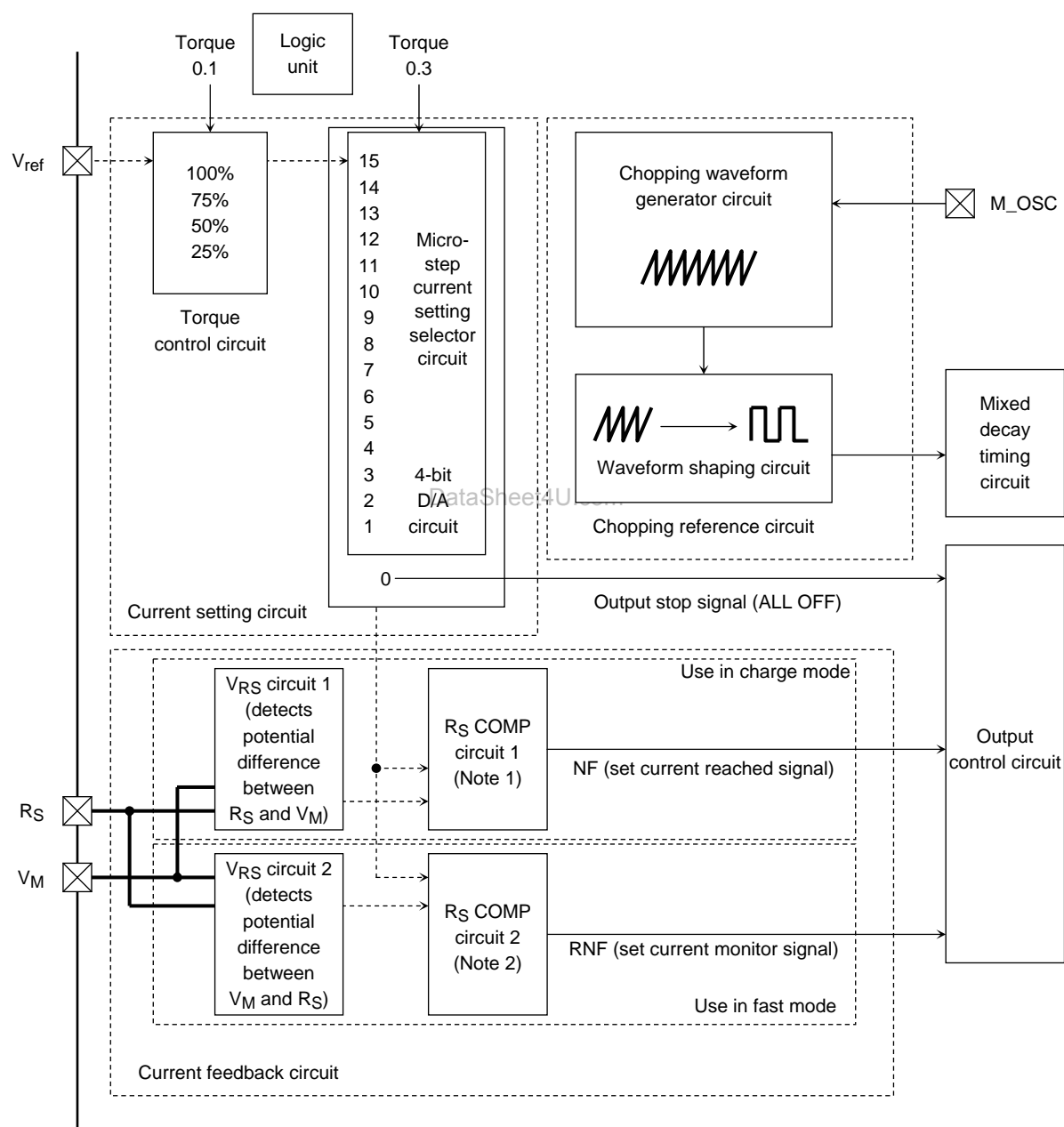
3. Current feedback circuit and current setting circuit for motor driver

Function

The current setting circuit is used to set the reference voltage of the output current using the micro-step current setting data input from the DATA pins.

The current feedback circuit is used to output to the output control circuit the relation between the set current value and output current. This is done by comparing the reference voltage output to the current setting circuit with the potential difference generated when current flows through the current sense resistor connected between R_S and V_M .

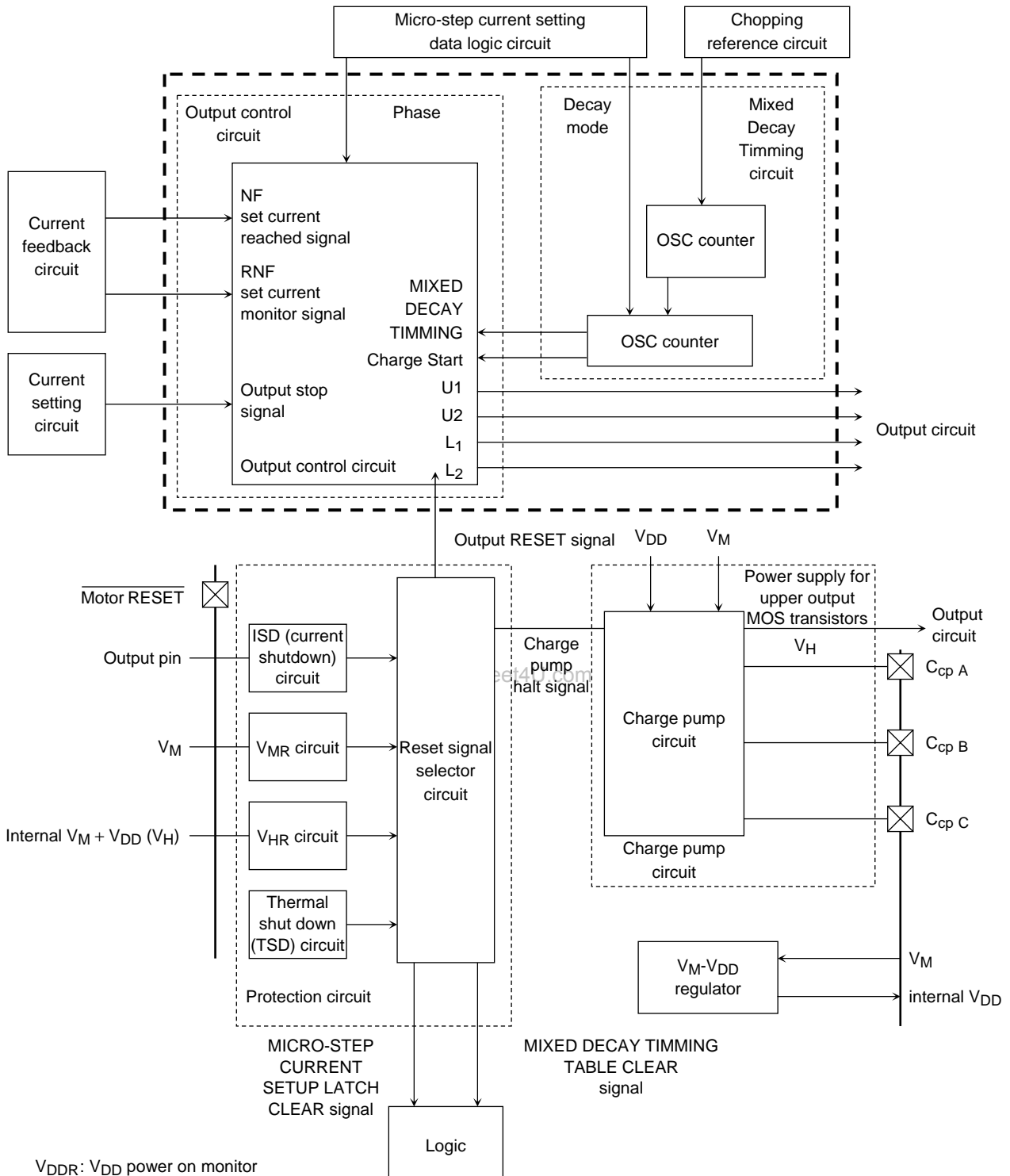
The chopping waveform generator, to which a capacitor is connected, generates clock (OSC-CLK) used as reference for the chopping frequency, so that these two circuits are pure digital logic.



Note 1: R_S COMP1: Compares the set current with the output current and outputs a signal when the output current reaches the set current.

Note 2: R_S COMP2: Compares the set current with the output current at the end of Fast mode during chopping. Outputs a signal when the set current is below the output current.

4. Output control circuit, current feedback circuit and current setting circuit for motor driver



V_{DDR}: V_{DD} power on monitor

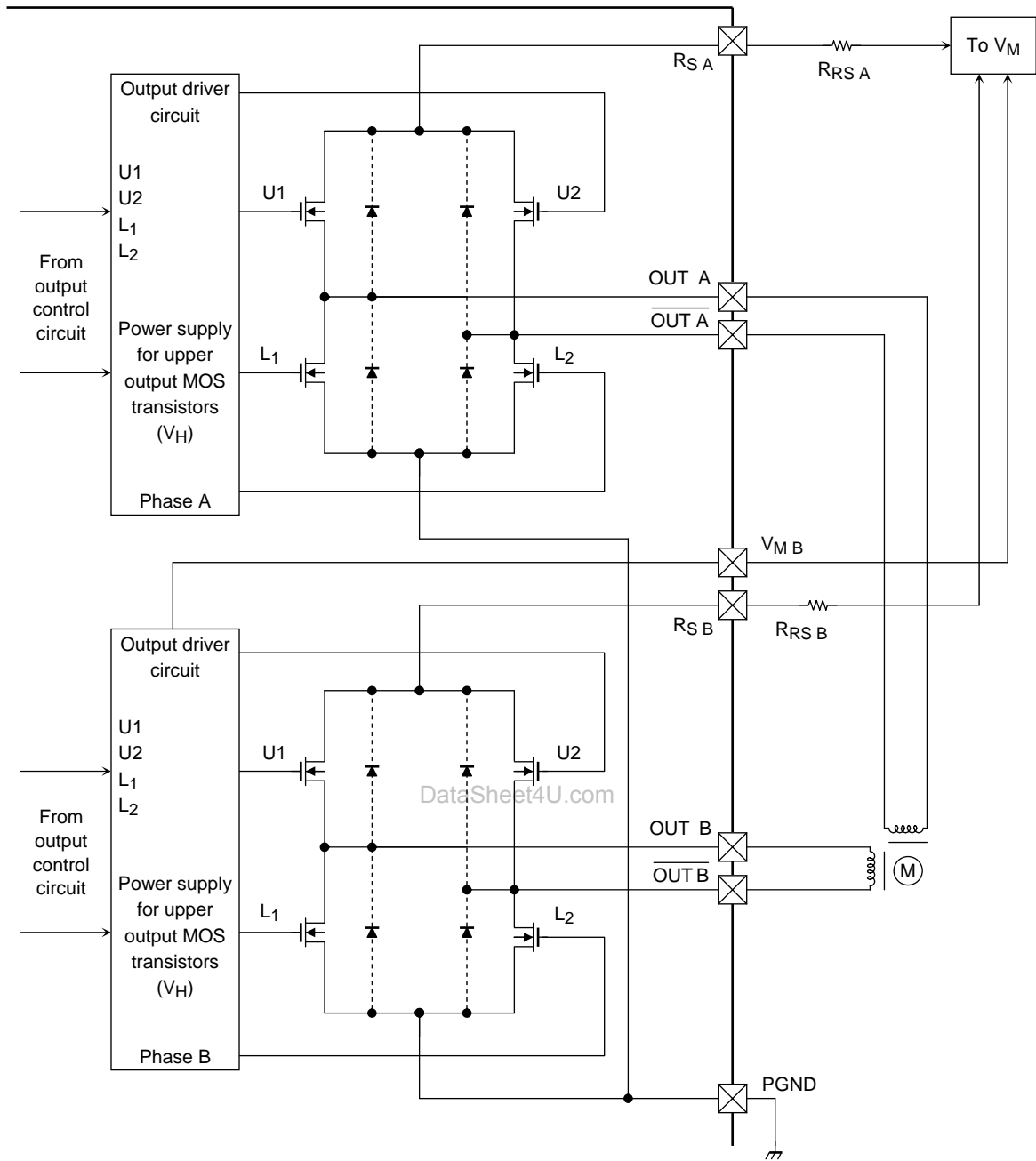
V_{MR} : V_M power on monitor

ISD : Current shutdown circuit

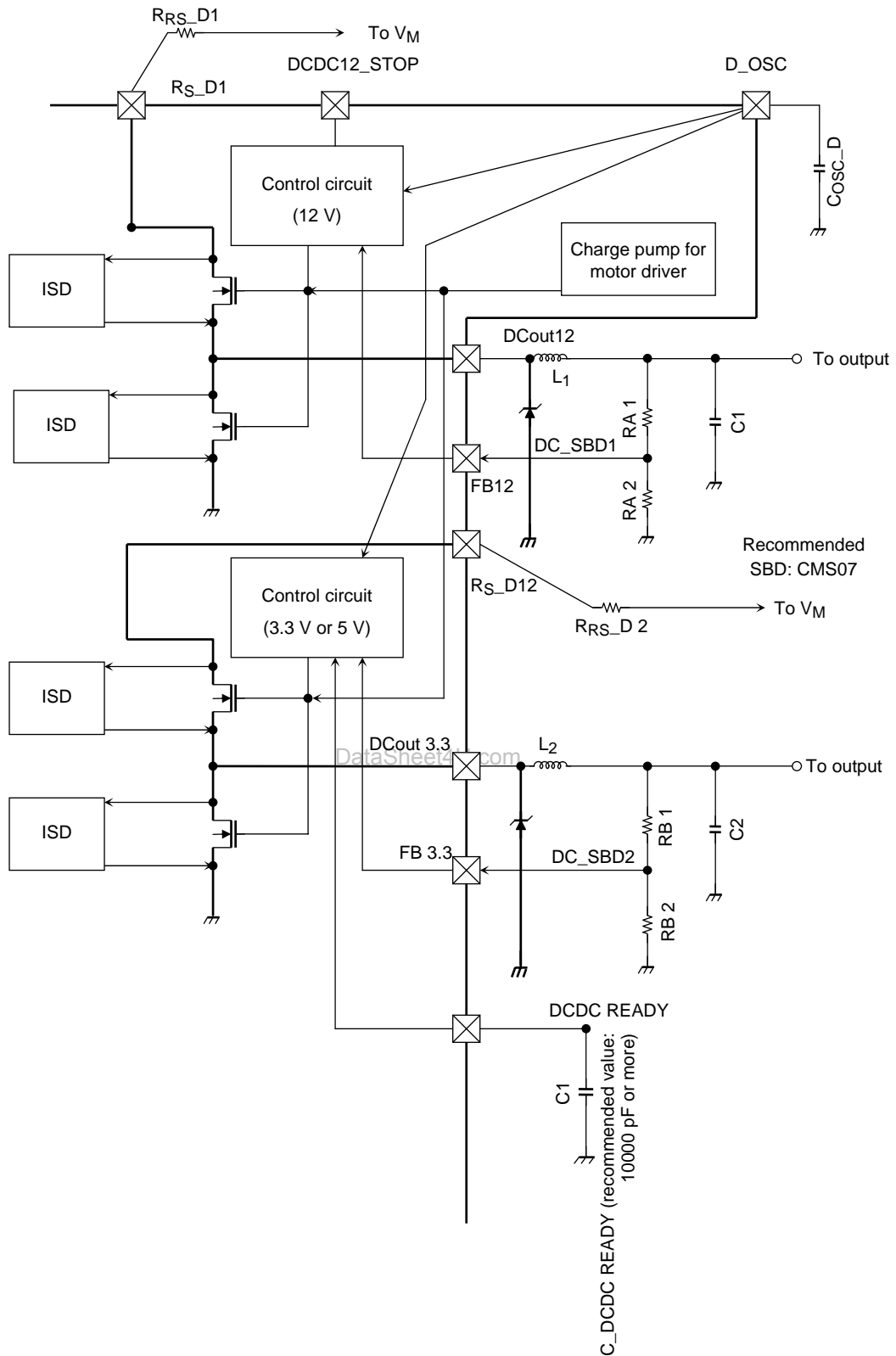
TSD : Thermal shutdown circuit

Note: The $\overline{\text{Motor RESET}}$, and SETUP pins are pulled down in the IC by a 100-k Ω resistor. When these pins are not used, connect them to ground. If they are left open, malfunction may occur.

5. Output equivalent circuit for motor driver



6. DCDC conversion circuit



et4U.com

DataSheet4U.com

DataShee

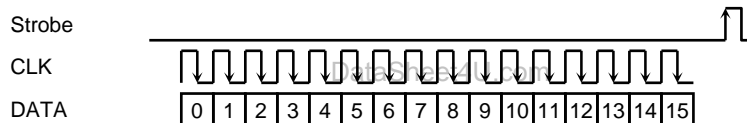
Pin Descriptions

Pin No.	Pin Symbol	Pin Description
1	V _M	Power supply monitor pin for output part
2	TORQUE S0	External motor torque setting pin for motor
3	TORQUE S1	External motor torque setting pin for motor
4	INV_IN	Inverse input pin for motor CLK and STROBE
5	V _{SS1}	Ground pin for LOGIC part (Please connect the pin 5 to F _{IN} .)
6	NC	Not connected
7	OUT \bar{A}	Motor \bar{A} output pin
8	R _{S A}	Motor A channel current detection pin (power supply pin)
9	OUT A	Motor A output pin
F _{IN}	F _{IN}	F _{IN} (V _{SS}): Ground pin for LOGIC
10	OUT \bar{B}	Motor \bar{B} output pin
11	R _{S B}	Motor B channel current detection pin (power supply pin)
12	OUT B	Motor B output pin
13	NC	Not connected
14	V _{SS2}	Ground pin for LOGIC part (Please connect the pin 14 to F _{IN} .)
15	STROBE	Motor STROBE (latch) signal input pin (↓: LATCH @ INV_IN: L)
16	CLK	Motor lock input pin (↑: CLK @ INV_IN: L)
17	DATA	Motor serial data signal input pin
18	OSC_M	External chopping reference pin for motor, that sets the chopping frequency.
19	V _{DD_MO}	Internal power supply monitor pin for logic part (Internal power supply)
20	V _{ref}	Motor V _{ref} input pin
21	SETUP	Mode switching pin for Motor SETUP (L: Motor operation, H: Motor switching)
22	Motor RESET	Motor stopping pin (L: RESET)
23	DCDC12STOP	Output stopping pin for DCDC 12 V
24	DCDC12FB	Voltage feedback pin for DCDC 12 V
25	P-GND12	PGND for DCDC 12 V
26	R _{S_DC12}	Power supply input pin (sense resistor connecting pin) for DCDC 12 V
27	DCDC12OUT	Power voltage output pin for DCDC 12 V
F _{IN}	F _{IN}	F _{IN} (V _{SS}): Ground pin for LOGIC part
28	DCDC3.3OUT	Power voltage output pin for DCDC 3.3 V
29	R _{S_D3.3}	Power supply input pin (sense resistor connecting pin) for DCDC 3.3 V
30	PGND3.3	PGND for DCDC 3.3 V
31	DCDC3.3FB	Power voltage feedback pin for DCDC 3.3 V
32	DCDC READY	Pin for setting start delay time of DCDC 3.3V
33	OSC_D	Capacitor connection pin for DCDC oscillating frequency
34	C _{cp C}	Capacitor pin for charge pump (C _{cp 2})
35	C _{cp B}	Capacitor pin for charge pump (C _{cp 2})
36	C _{cp A}	Capacitor pin for charge pump (C _{cp 1})

Note: When the IC is mounted in the wrong orientation, high voltage will be applied to the low-withstand-voltage block, which causes the IC to be destroyed. Please check the pin 1 positioning mark when mounting it. While the IC is powered-on, do not connect the motor to the IC or vice-versa.

Function**16-bit serial input signals for motor****(apply the signals in reverse order of TB62201AF serial input signals.)**

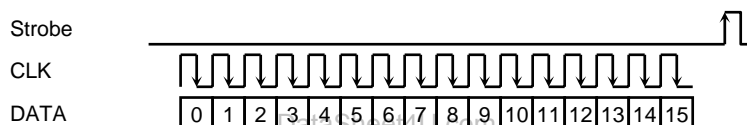
Data Bit	Name	Function
0	Phase A	Phase information (H: out A is high)
1	Current A3	A-channel current setting
2	Current A2	
3	Current A1	
4	Current A0	
5	Decay Mode A1	A-channel current attenuation ratio setting
6	Decay Mode A0	
7	Phase B	Phase information (H: out B is high)
8	Current B3	B-channel current setting
9	Current B2	
10	Current B1	
11	Current B0	
12	Decay Mode B1	B-channel current attenuation ratio setting
13	Decay Mode B0	
14	Torque 1	Torque setting
15	Torque 0	



Note: The direction of DATA and CLK indicated above is under the condition of when INV_IN = H.

Data input signal at setting mixed decay timing table
(Apply the signals in reverse order of TB62201AF data input signals.)

Data Bit	Name	Function	Initial Value
0	Current Mode 3	Sets decay 3 ratio (decay 3 ratio)	1: Mixed Decay Mode
1	Decay Mode 3-2		1
2	Decay Mode 3-1		1
3	Decay Mode 3-0		1: 100%
4	Current Mode 2	Sets decay 2 ratio	1: Mixed Decay Mode
5	Decay Mode 2-2		1
6	Decay Mode 2-1		0
7	Decay Mode 2-0		1: 75%
8	Current Mode 2	Sets decay 1 ratio	1: Mixed Decay Mode
9	Decay Mode 1-2		0
10	Decay Mode 1-1		1
11	Decay Mode 1-0		0: 37.5%
12	Current Mode 0	Sets decay 0 ratio	0: Mixed Decay Mode
13	Decay Mode 0-2		0
14	Decay Mode 0-1		0
15	Decay Mode 0-0		0: 12.5%



Note: The direction of DATA and CLK indicated above is under the condition of when INV_IN = H.

Table for Setting (1) D0

Setting Phase A

Data Bit	Name	Function	Phase	Setting Value Phase
0	Phase A	Switching phases	0	OUT A = L, OUT \bar{A} = H
			1	OUT A = H, OUT \bar{A} = L

Table for Setting (2) D1, D2, D3, D4, D8, D9, D10, D11**Setting Current**

Data Bit	Step	A3	A2	A1	A0	B3	B2	B1	B0	Setting Angle (degree)
1	16	1	1	1	1	0	0	0	0	90
2	15	1	1	1	1	0	0	0	1	84
3	14	1	1	1	0	0	0	1	0	79
4	13	1	1	0	1	0	0	1	1	73
	12	1	1	0	0	0	1	0	0	68
8	11	1	0	1	1	0	1	0	1	61
9	10	1	0	1	0	0	1	1	0	56
10	9	1	0	0	1	0	1	1	1	51
11	8	1	0	0	0	1	0	0	0	45
	7	0	1	1	1	1	0	0	1	39
	6	0	1	1	0	1	0	1	0	34
	5	0	1	0	1	1	0	1	1	28
	4	0	1	0	0	1	1	0	0	23
	3	0	0	1	1	1	1	0	1	17
	2	0	0	1	0	1	1	1	0	11
	1	0	0	0	1	1	1	1	1	6
	0	0	0	0	0	1	1	1	1	0

Table for Setting (3) D5, D6, D12, D13**Setting Decay Mode**

Data Bit	Name	Function	Decay Mode 1	Decay Mode 0	Setting Value Decay Mode
5	Decay Mode A1	Setting Decay Mode	0	0	Mixed Decay Mode: 12.5%
6	Decay Mode A0		0	1	Mixed Decay Mode: 37.5%
			1	0	Mixed Decay Mode: 75.0%
			1	1	Fast Decay Mode

Table for Setting (3) D7**Setting Phase B**

Data Bit	Name	Function	Phase	Setting Value Phase
7	Phase B	Switching phases (+side, -side)	0	OUT B = L, OUT \bar{B} = H
			1	OUT B = H, OUT \bar{B} = L

Table for Setting (3) D14, D15**Setting Torque**

Data Bit	Name	Function	Torque 1	Torque 0	Setting Value Torque (typ.)
0	Torque 0	Setting current range	0	0	25%
1	Torque 1		0	1	50%
			1	0	75%
			1	1	100%

Function of External Input Pins**External Torque 1.2**

Pin Number	Name	Function	Torque 1	Torque 0	Setting Value Torque (typ.)
3	TORQUE S1	Setting current range	0	0	25%
2	TORQUE S0		0	1	50%
			1	0	75%
			1	1	100%

When 1 is applied to either the external Torque 1.2 or the serial data Torque 1.2, 1 is reflected such as a function of OR gate.

INV_IN

Pin number	Name	Function	Torque 1	Setting Value Torque (typ.)
4	INV_IN	Determine which direction to reflect the STROBE CLK of the serial data input.	H	The same direction as TB62201AF Down CLK Up Edge Strobe
			L	The opposite direction from TB62201AF Up CLK Down Edge Strobe

Maximum Ratings (Ta = 25°C)

Characteristics	Symbol	Rating	Unit	Remarks
Motor/DCDC power supply voltage	V _M	30	V	
Motor output current	I _{OUT}	0.7	A/phase	(Note 1)
Maximum DCDC converter input current	I _{DCOUT}	1.2	A	(Note 2)
Maximum DCDC initial charge current	I _{DCOUT_S}	0.8	A	(Note 3)
Maximum constant output current	I _{DCconst}	I _{DCOUT} × 0.8	A	(Note 4)
Maximum Vref voltage range	V _{ref}	4.0	V	
Current detect pin voltage	V _{RS}	V _M ± 4.5	V	
Maximum voltage at charge pump (CCP1) pin	V _H	V _M + 7.0	V	Inside regulator
Logic input voltage	V _{IN}	Up to 5.7	V	(Note 5)
Power dissipation	P _D	1.4	W	(Note 6)
		3.2		(Note 7)
Operating temperature	T _{opr}	-40 to 85	°C	
Storage temperature	T _{stg}	-55 to 150	°C	
Junction temperature	T _j	150	°C	

Note 1: Perform thermal calculations for the maximum current value of the motor under normal conditions. Use the IC at 0.6 A or less per phase.

Note 2: Under the condition of DCDC output voltage × 0.9 V or higher (typ.)
In this case, the input current to the power supply becomes the current value (1.2 A) that is controlled by the sense resistor.

Note 3: Under the condition of DCDC output voltage × 0.9 V or lower (typ.)

Note 4: The output current is lower by 20% than the input current value of the DCDC converter (calculated value).
When The value of I_{DCOUT} is 1.2 A (max), the output current will be 0.96 A (max).

Note 5: Input 5.5 V or less as V_{IN}.

Note 6: Measured for the IC only. (Ta = 25°C)

Note 7: Measured when mounted on the board. (Ta = 25°C)

Ta: IC ambient temperature

T_{opr}: IC ambient temperature when starting operation

T_j: IC chip temperature during operation T_j (max) is controlled by TSD (thermal shutdown circuit)

Note : Notes on maximum voltage

This device does not incorporate an overvoltage protection circuit. When an excessive voltage is applied to the device, it may be destroyed. Thus, make sure that the power supply voltage is within the specification value.

Recommended Operating Conditions (Ta = 0°C to 85°C)

Characteristics	Symbol	Test Condition	Min	Typ.	Max	Unit
Voltage range	V _M	—	14	24	28	V
Motor output current	I _{OUT}	Ta = 25°C, per phase	—	0.4	0.6	A
DCDC converter current range	I _{DCOUT}	—	—	1.0	1.1	A
DCDC initial charge current	I _{DCOUT_S}	—	—	0.6	0.7	A
Maximum constant output current	I _{DCOut_Const}	Maximum DCDC initial charge current × 0.8	—	0.8	0.84	A
Logic input voltage	V _{IN}	—	GND	—	5	V
Clock frequency	f _{CLK}	—	—	1.0	25	MHz
Motor chopping frequency	f _{chop_M}	V _M = 24 V	40	100	150	kHz
DCDC chopping frequency	f _{chop_D}	V _M = 24 V	40	100	150	kHz
V _{ref} reference voltage	V _{ref}	V _M = 24 V	0	2.0	3.0	V
Current detect pin voltage	V _{RS}	V _M = 24 V	0	±1.0	±1.5	V

Note: In terms of the temperature withstand capability, the maximum value of T_j should be approximately 120°C.

Operating Precaution

This device does not incorporate an overvoltage protection circuit. Thus, if an excess voltage is applied to the IC, the IC may be destroyed. Please design the IC so that an excess voltage will not be applied to the IC.

Motor Electrical Characteristics 1

(unless otherwise specified, $T_a = 25^\circ\text{C}$, $V_M = 24\text{ V}$, $C_{cp1} = 0.22\ \mu\text{F}$, $C_{cp2} = 0.022\ \mu\text{F}$)

Characteristics		Symbol	Test Circuit	Test Condition	Min	Typ.	Max	Unit
Input voltage	High	$V_{IN(H)}$	DC	CLK, $\overline{\text{Motor RESET}}$, STROBE, DATA Torque 0, Torque 1, SETUP pins	2.0	3.3	5.4	V
	Low	$V_{IN(L)}$			GND - 0.4	GND	0.8	
Input hysteresis		$V_{IN(HIS)}$	DC	CLK input pin	—	0.3	—	V
Input current 1		$I_{IN1(H)}$	DC	CLK, STROBE, DATA pins	—	—	1.0	μA
		$I_{IN1(L)}$			—	—	1.0	
Input current 2		$I_{IN2(H)}$	DC	$\overline{\text{Motor RESET}}$, SETUP pins	—	—	100	μA
		$I_{IN2(L)}$			—	—	100	
Current dissipation (Pin V_M)		IM1	DC	OUT = open, motor logic = L DCDC3.3 ON (100-kHz external operation) $V_M = 24\text{ V}$, motor output stage = OFF Charge pump = charged $C_{cp1} = 0.22\ \mu\text{F}$, $C_{cp2} = 0.02\ \mu\text{F}$	8	12	15	mA
		IM2		OUT = open, fchop = 100 kHz (phase input 200 kHz) DCDC3.3 ON (100-kHz external operation) $V_M = 24\text{ V}$, motor output stage = open Charge pump = charged $C_{cp1} = 0.22\ \mu\text{F}$, $C_{cp2} = 0.02\ \mu\text{F}$	22	24	26	
		IM3		OUT = open, chopping = 100 kHz DCDC12 ON (100-kHz external operation) Charge pump = charged $C_{cp1} = 0.22\ \mu\text{F}$, $C_{cp2} = 0.02\ \mu\text{F}$	24	30	35	
Output standby current	Upper	I_{OH}	DC	$V_{RS} = V_M = 24\text{ V}$, $V_{out} = 0\text{ V}$, $\overline{\text{Motor RESET}} = \text{H}$, DATA = all L	-400	-300	-200	μA
Output bias current	Upper	I_{OB}		$V_{RS} = V_M = 24\text{ V}$, $V_{out} = 24\text{ V}$, RESET = H, DATA = all L	-200	-120	-80	μA
Output leakage current	Lower	I_{OL}		$V_{RS} = V_M = C_{cp1} = V_{out} = 24\text{ V}$, $\overline{\text{Motor RESET}} = \text{L}$	—	—	1.0	μA
Comparator reference voltage ratio	HIGH (reference)	$V_{RS(H)}$	DC	$V_{ref} = 3.0\text{ V}$, $V_{ref}(\text{gain}) = 1/4.0$ TORQUE = (H.H) = 100% setting	—	100	—	%
	MID HIGH	$V_{RS(MH)}$		$V_{ref} = 3.0\text{ V}$, $V_{ref}(\text{gain}) = 1/4.0$ TORQUE = (H.L) = 75% setting	73	75	77	
	MID LOW	$V_{RS(ML)}$		$V_{ref} = 3.0\text{ V}$, $V_{ref}(\text{gain}) = 1/4.0$ TORQUE = (L.H) = 50% setting	48	50	52	
	LOW	$V_{RS(L)}$		$V_{ref} = 3.0\text{ V}$, $V_{ref}(\text{gain}) = 1/4.0$ TORQUE = (L.L) = 25% setting	23	25	27	
Output current differential		ΔI_{out1}	DC	Differences between output current channels $I_{out} = 700\text{ mA}$	-5	—	5	%
Output current setting differential		ΔI_{out2}	DC	$I_{out} = 700\text{ mA}$	-5	—	5	%
RS pin current		I_{RS}	DC	$V_{RS} = 24\text{ V}$, $V_M = 24\text{ V}$, $\overline{\text{Motor RESET}} = \text{L}$ (RESET status)	—	—	10	μA
Output transistor drain-source On-resistance		RON (D-S) 1	DC	$I_{out} = 1.0\text{ A}$, $T_j = 25^\circ\text{C}$, Drain-source	—	0.7	0.85	Ω
		RON (S-D) 1		$I_{out} = 1.0\text{ A}$, $T_j = 25^\circ\text{C}$, Source-drain	—	0.7	0.85	
		RON (D-S) 2		$I_{out} = 1.0\text{ A}$, $T_j = 105^\circ\text{C}$, Drain-source	—	0.9	1.1	
		RON (S-D) 2		$I_{out} = 1.0\text{ A}$, $T_j = 105^\circ\text{C}$, Source-drain	—	0.9	1.1	

Motor Electrical Characteristics 2(unless otherwise specified, $T_a = 25^\circ\text{C}$, $V_M = 24\text{ V}$, $C_{cp1} = 0.22\ \mu\text{F}$, $C_{cp2} = 0.022\ \mu\text{F}$)

Characteristics	Symbol	Test Circuit	Test Condition	Min	Typ.	Max	Unit
Internal logic power supply voltage	V_{DD}	DC	Automatically created	4.7	5.0	5.3	V
V_{ref} input voltage	V_{ref}	DC	$\overline{\text{Motor RESET}} = \text{H}$, Output on	0	—	3.3	V
V_{ref} input current	I_{ref}	DC	$\overline{\text{Motor RESET}} = \text{H}$, Output off, $V_{ref} = 3.0\text{ V}$	20	45	60	μA
V_{ref} attenuation ratio	V_{ref} (gain)	DC	$\overline{\text{Motor RESET}} = \text{H}$, Output on, $V_{ref} = 0\text{ V to } 3.3\text{ V}$	1/3.8	1/4	1/4.2	—
TSD temperature	T_{jTSD} (Note 1)	DC	—	130	150	170	$^\circ\text{C}$
V_M return voltage	V_{MR}	DC	$\overline{\text{Motor RESET}} = \text{H}$, $\text{STRBE} = \text{H}$	10.5	11.0	11.5	V
Over current protected circuit operation current	I_{SD} (Note 2)	DC	$f_{chop} = 100\text{ kHz set}$	—	3.0	—	A

Note 1: Thermal shutdown (TSD) circuit

When the IC junction temperature reaches the specified value and the TSD circuit is activated, the internal reset circuit is activated switching the outputs of both motors to off.

When the temperature is set between 130 (min) to 170 $^\circ\text{C}$ (max), the TSD circuit operates. When the TSD circuit is activated, the function data latched at that time are cleared. Output is halted until the reset is released. While the TSD circuit is in operation, the charge pump is halted.

Note 2: Overcurrent protection circuit

When current exceeding the specified value flows to the DCDC output, the internal reset circuit is activated switching the outputs of both shafts to off.

When the ISD circuit is activated, the function data latched at that time are cleared.

The overcurrent protection circuit remains activated until the V_M voltage is reapplied. Activating the ISD initializes all the circuits in the IC, which causes the charge pump to be stopped. For the failsafe operation, insert a fuse in the power supply.

Motor Electrical Characteristics 3

(Ta = 25°C, VM = 24 V, Iout = 0.7 A, Ccp1 = 0.22 µF, Ccp2 = 0.022 µF)

Characteristics	Symbol	Test Circuit	Test Condition	Min	Typ.	Max	Unit
Chopper current	Vector	DC	θA = 90 (θ16)	—	100	—	%
			θA = 84 (θ15)	—	100	—	
			θA = 79 (θ14)	93	98	—	
			θA = 73 (θ13)	91	96	—	
			θA = 68 (θ12)	87	92	97	
			θA = 62 (θ11)	83	88	93	
			θA = 56 (θ10)	78	83	88	
			θA = 51 (θ9)	72	77	82	
			θA = 45 (θ8)	66	71	76	
			θA = 40 (θ7)	58	63	68	
			θA = 34 (θ6)	51	56	61	
			θA = 28 (θ5)	42	47	52	
			θA = 23 (θ4)	33	38	43	
			θA = 17 (θ3)	24	29	34	
θA = 11 (θ2)	15	20	25				
θA = 6 (θ1)	5	10	15				
θA = 0 (θ0)	—	0	—				

DCDC Converter Electrical Characteristics 1 (unless otherwise specified, Ta = 25°C, VDD = 3.3 V, VM = 24 V, Ccp1 = 0.22 µF, Ccp2 = 0.022 µF)

Characteristics	Symbol	Test Circuit	Test Condition	Min	Typ.	Max	Unit
DCDC output voltage error (DCDC load regulation)	ΔVout1	DC	Output voltage error Vout = 3.3 V, FB with 1% resistor	-5	0	5	%
			0.96 A, C = 470 µF, L = 470 µF				
	ΔVout2		Output voltage error Vout = 3.3 V, FB with 1% resistor				
			Iout = 0.7 A, C = 470 µF, L = 470 µF, VM = 12-28 V				
DCDC Pin FB input current	IIN (FB)	DC	VM = 24 V, VIN (FB)	—	—	500	nA
Pin FB threshold voltage	Vth (FB)	DC	—	—	2.5	—	V
Soft/full switching voltage ratio	VDC_SF	DC	Iout = 700 mA	90	92	94	%
DCDC output off leak current	IODC	DC	VM = 24 V, upper	-200	—	—	nA
			VM = 24 V, lower	-400	—	—	
DCDC Maximum duty cycle	DC_duty	DC	—	—	90	—	%
Output transistor drain – source ON resistance	RON (D-S) 1	DC	Iout = 1.0 A, Tj = 25°C, forward direction	—	0.7	0.84	Ω
	RON (D-S) 1		Iout = 1.0 A, Tj = 25°C, opposite direction	—	0.7	0.84	
	RON (D-S) 2		Iout = 1.0 A, Tj = 105°C, forward direction	—	0.9	1.1	
	RON (D-S) 2		Iout = 1.0 A, Tj = 105°C, opposite direction	—	0.9	1.1	

AC Characteristics for Motor Driver

(Ta = 25°C, VM = 24 V, 6.8 mH/5.7 Ω, Ccp1 = 0.22 μF, Ccp2 = 0.022 μF)

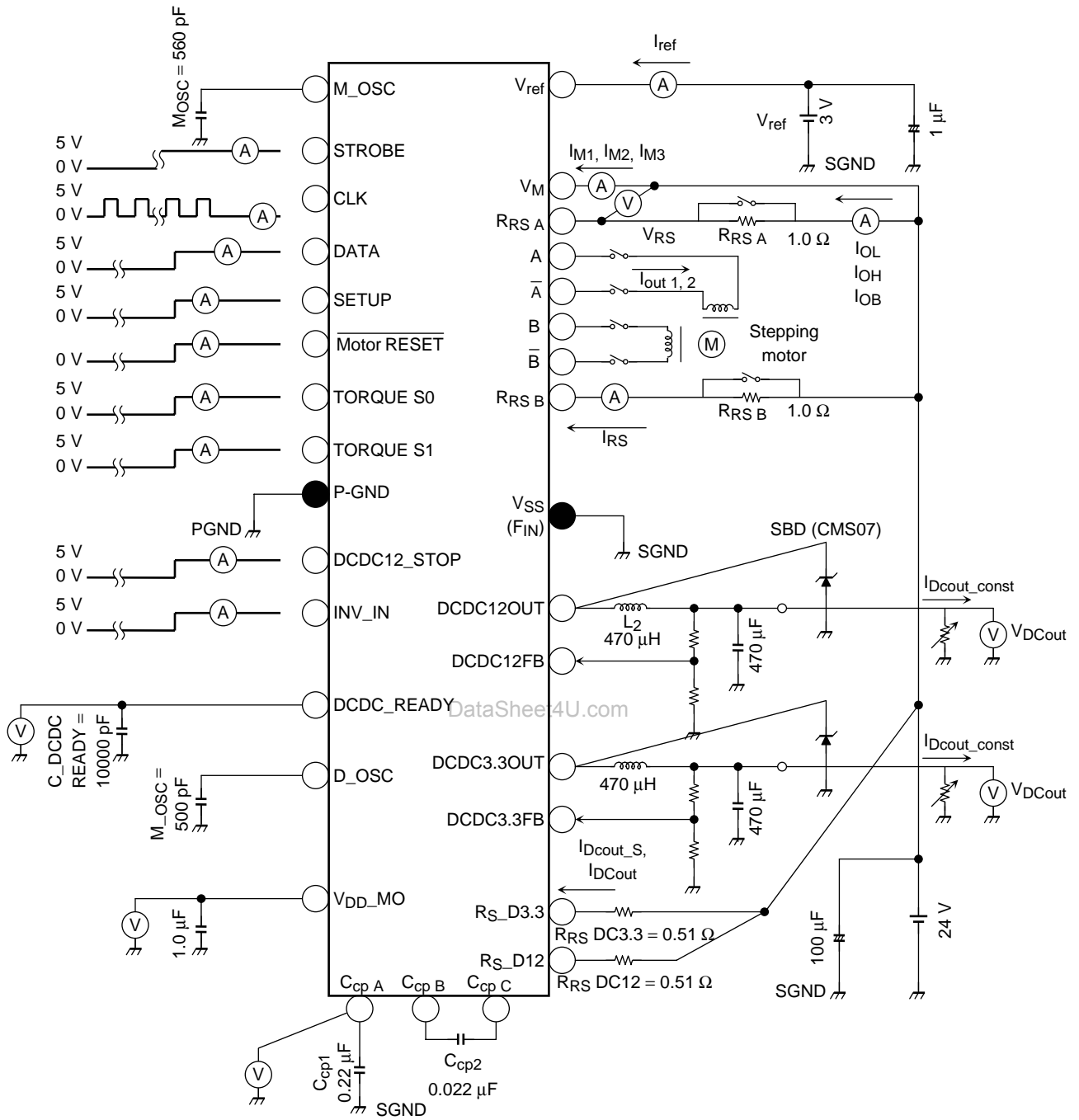
Characteristics	Symbol	Test Circuit	Test Condition	Min	Typ.	Max	Unit
Motor clock frequency	f _{CLK}	AC	—	1.0	—	25	MHz
Motor minimum clock pulse width	t _w (CLK)	AC	—	40	—	—	ns
	t _{wp} (CLK)			20	—	—	
	t _{wn} (CLK)			20	—	—	
Motor minimum STROBE pulse width	t _{STROBE}	AC	—	40	—	—	ns
	t _{STROBE} (H)			20	—	—	
	t _{STROBE} (L)			20	—	—	
Motor data setup time	t _{suSIN-CLK}	AC	—	20	—	—	ns
	t _{suST-CLK}			20	—	—	
Motor data hold time	t _{hSIN-CLK}	AC	—	20	—	—	ns
	t _{hCLK-ST}			20	—	—	
Motor output transistor switching characteristic	t _r	AC	Output load: 6.8 mH/5.7 Ω	—	0.1	—	μs
	t _f			—	0.1	—	
	t _{pLH} (ST)		STROBE (↑) to V _{OUT} Output load: 6.8 mH/5.7 Ω	—	15	—	
	t _{pHL} (ST)			—	10	—	
	t _{pLH} (CR)		CR to V _{OUT} Output load: 6.8 mH/5.7 Ω	—	1.2	—	
	t _{pHL} (CR)			—	2.5	—	
Motor noise rejection dead band time	t _{BLNK}	AC	I _{out} = 0.7 A	180	300	400	ns
Motor CR reference signal oscillation frequency	f _{CR}	AC	C _{osc} = 560 pF	640	840	1000	kHz
Motor chopping frequency range	f _{chop} (min)	AC	Output active (I _{out} = 0.7 A) Step fixed, C _{cp1} = 0.22 μF, C _{cp2} = 0.022 μF	40	100	150	kHz
	f _{chop} (typ.)						
	f _{chop} (max)						
Motor motor chopping frequency	f _{chop} (M)	AC	Output active (I _{out} = 0.7 A) M _{osc} CLK = 800 kHz	—	105	—	kHz
Charge pump rising time	t _{ONG}	AC	C _{cp2} = 0.22 μF, C _{cp} = 0.02 μF V _M = 24 V, V _{MR} = OFF are reference voltages	—	0.5	1.0	ms

AC Characteristics for DCDC Converter

(Ta = 25°C, VM = 24 V, 470 μH, 470 μF)

Characteristics	Symbol	Test Circuit	Test Condition	Min	Typ.	Max	Unit
Output transistor switching characteristic	t _{r_D}	AC	470 μH/470 μF	—	0.1	—	μs
	t _{f_D}			—	0.1	—	
DCDC reference signal oscillation frequency	f _{OSC_D}	AC	C _{osc} = 560 pF	—	90	—	kHz
DCDC setting frequency range	f _{chop_D}	AC	—	40	100	150	kHz

Test Circuit (DC characteristics)



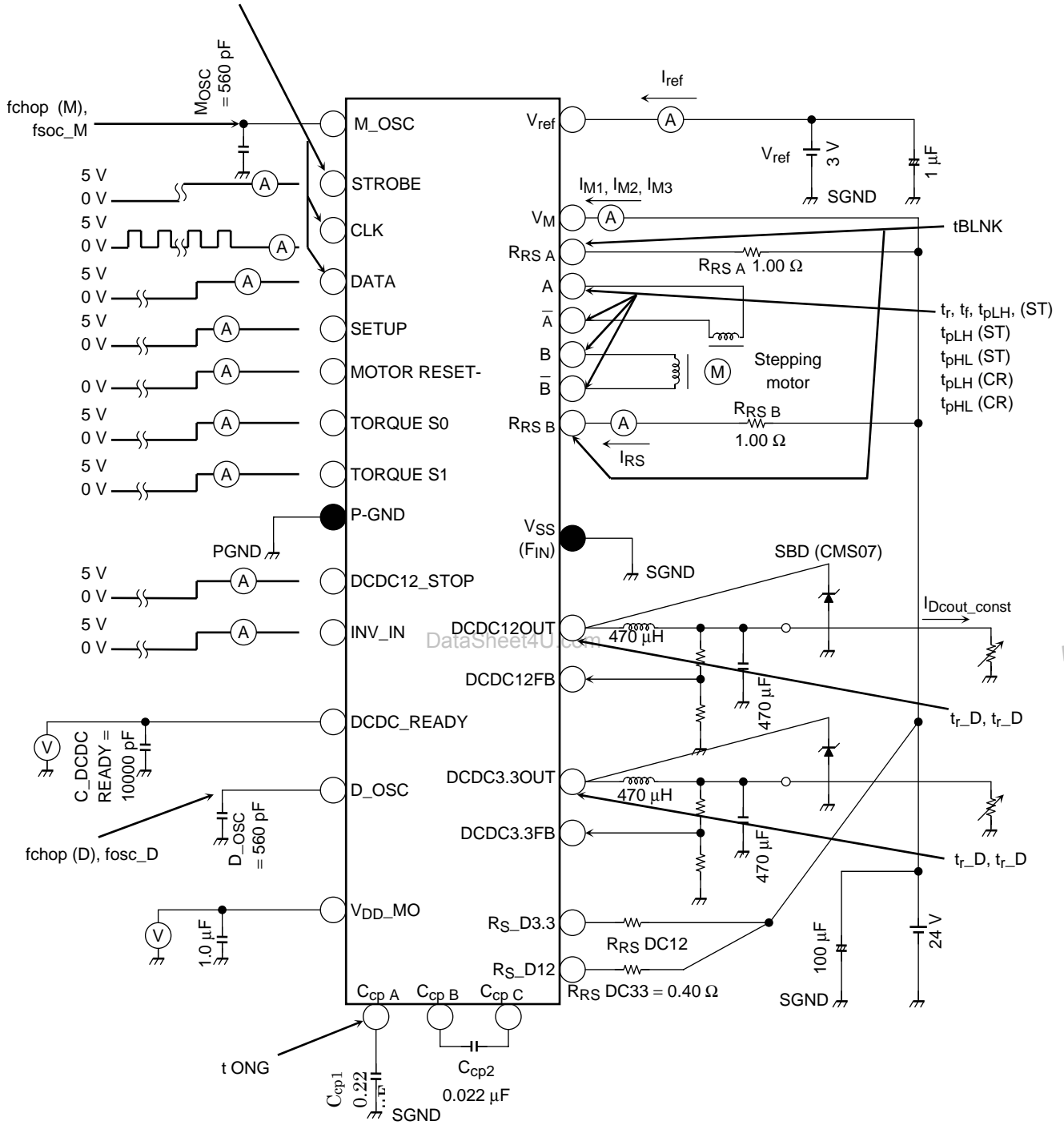
et4U.com

DataSheet4U.com

DataShee

Test Circuit (AC characteristics)

FCLK, t_w (CLK), t_{wp} (CLK), t_{wn} (CLK)
 TSTROBE, t_{STROBE} (H), t_{STROBE} (L)
 $t_{suSin-CLK}$, $t_{suST-CLK}$, $t_{hSin-CLK}$, $t_{hCLK-ST}$



et4U.com

DataShee

Calculation of Set Current

To obtain the motor setting current value (peak current), values of R_{RS} , V_{ref} and Torque should be determined according to the equation below.

$$I_{out} (\text{max}) = \frac{1}{V_{ref} (\text{gain})} \times V_{ref} (\text{V}) \times \frac{\text{Torque (torque = 100, 75, 50, 25% : input serial data)}}{R_{RS} (\Omega)}$$

$1/V_{ref}$ (gain): $1/V_{ref}$ attenuation ratio is 1/4.0 (typ.).

For example,

to input $V_{ref} = 1 \text{ V}$ and Torque = 100% and to output $I_{out} = 0.25 \text{ A}$,

$R_{RS} = 1.0 \Omega$ (0.1 W or more) is required.

Formulas for Calculating Reference Oscillation Frequency (chopping reference frequency)

The M_{osc} oscillation frequency (f_{osc_M}) and, chopping frequency (f_{chop}) can be calculated by the following formulas :

$$f_{osc_M} = \frac{1}{KA \times (CR \times 36000R + KB \times C)} [\text{Hz}]$$

KA (constant): 0.523

KB (constant): 600

R = 3.6 k Ω (internal resistor)

$$f_{chop} = \frac{M_{osc}}{8} [\text{Hz}]$$

Example: When $COSC = 560 \text{ pF}$ is connected, $M_{osc} = 813 \text{ kHz}$.

At this time, the chopping frequency f_{chop} is: $f_{chop} = f_{osc}/8 = 101 \text{ kHz}$.

Note: $f_{chopc} = \frac{1}{f_{osc}}$

$t_{osc_M} = t (\text{charge}) + t (\text{discharge})$

t_{osc_M} : Motor OSC oscillation cycle

t (charge): Motor OSC charge time

DCDC Converter Oscillating Frequency

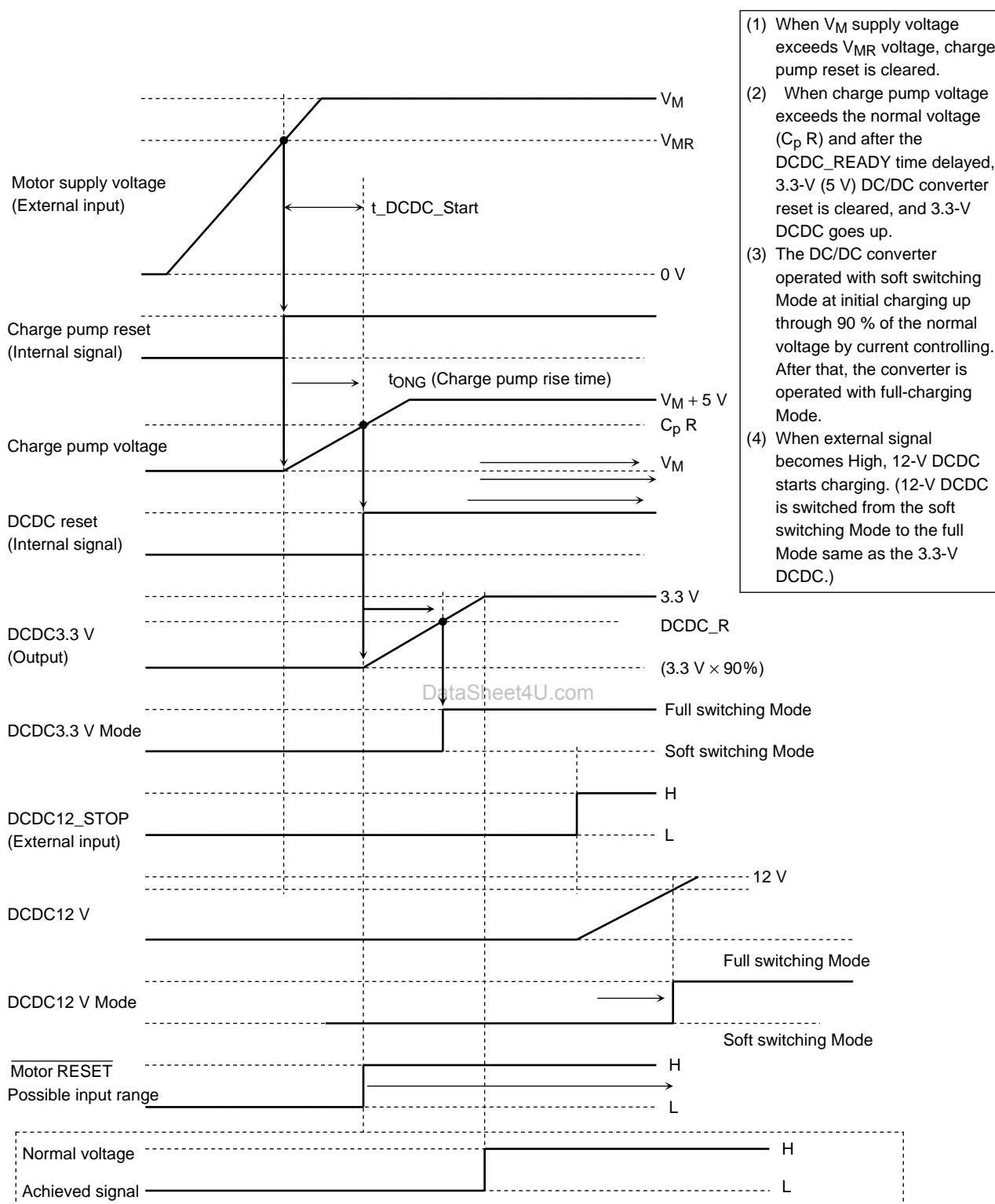
f_{DCDC} (DCDC PWM frequency) = $50 (\mu)/(0.8 \times COSC_D)$ (Hz)

PWM frequency for DCDC block is about 100 kHz when $COSC_D$ is 620 pF.

Example:

$COSC_D = 680 \text{ pF}$: 91 kHz
 = 620 pF: 100 kHz
 = 560 pF: 111 kHz
 = 510 pF: 122 kHz
 = 470 pF: 133 kHz
 = 390 pF: 160 kHz

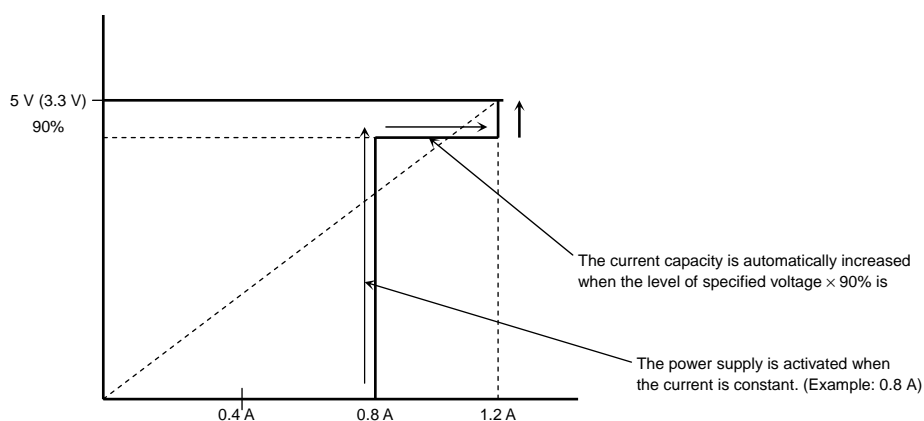
Startup Sequence of Power Supply (Voltage)



et4U.com

DataSheet4U.com

DataShee

Graph of the Power Supply on DCDC Input Side**Equations for Calculating Maximum Current Values in Soft-Start Mode and Full Mode**

The values of limited current of the DCDC block in Soft-start Mode and Full Mode are obtained using the following equations.

- (1) When the specified voltage is 0% to 90% of the voltage range

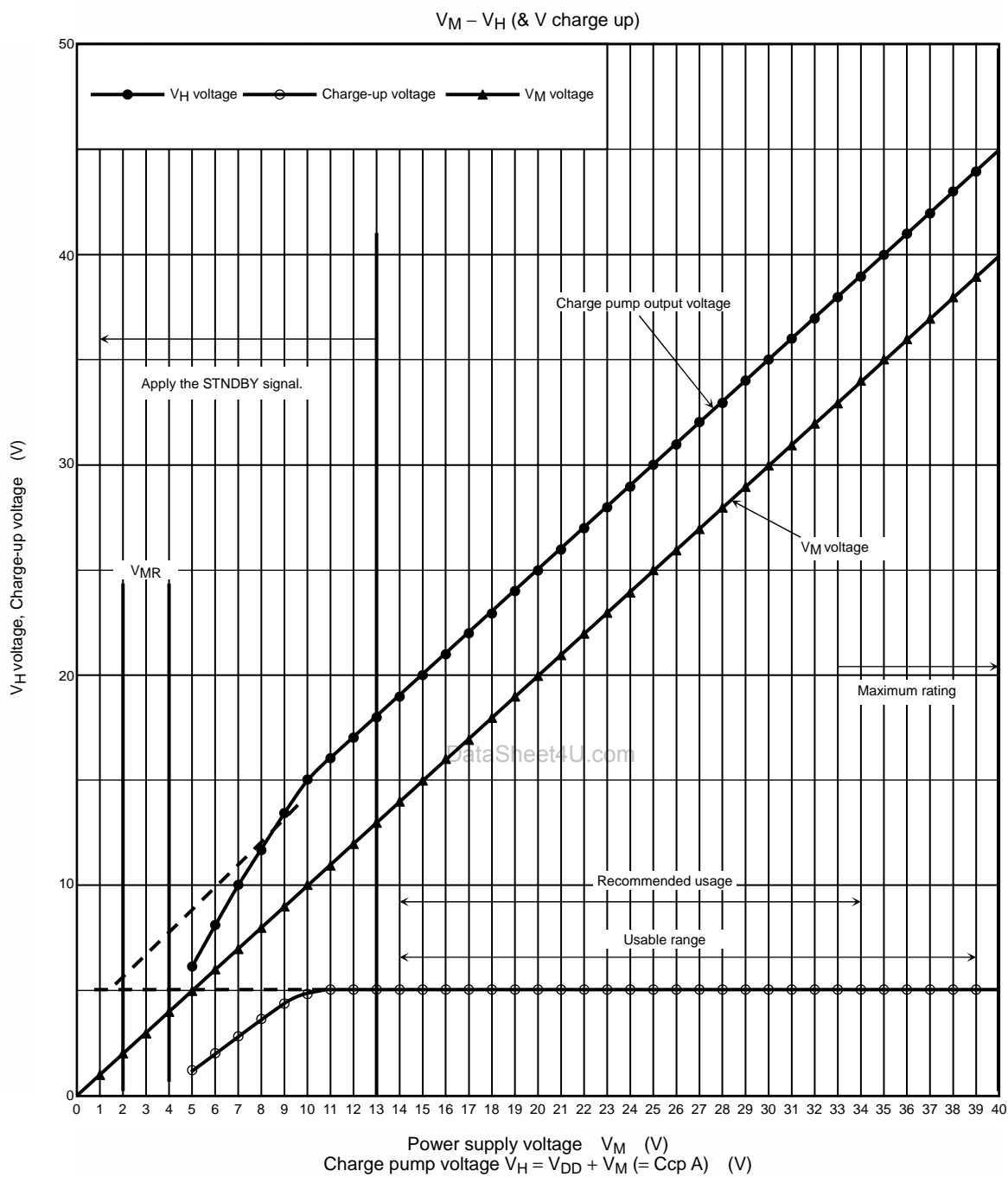
The maximum current value in Soft-start Mode : $I_{DCout_S} = 0.33/R_{RS_D33}$ (or D12) (A)

- (2) When the specified voltage is 90% to 100% of the voltage range

The maximum current value in Full Mode : $I_{DC_out} = I_{DCout_S} \times 1.5$ (A)

When the current is specified in Full Mode, the current value which can be driven out is obtained using the following equation.

The maximum load current : $I_{DCout_const} = I_{DC_out} \times 0.8$ (A)

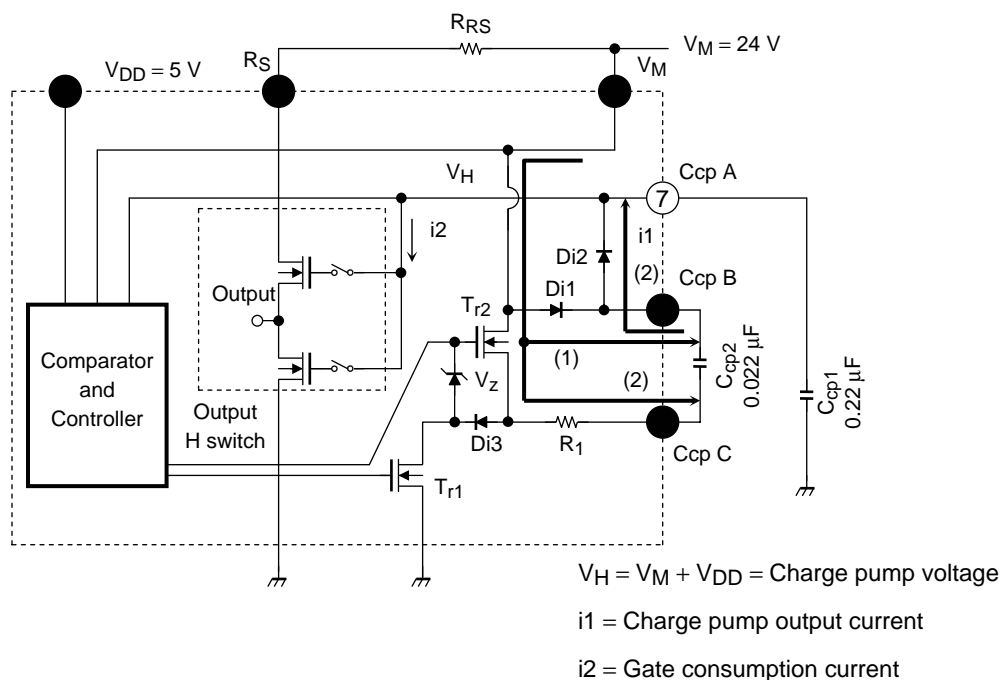
Relationship between V_M and V_H (charge pump voltage)

Note: $V_{DD} = 5\text{ V}$

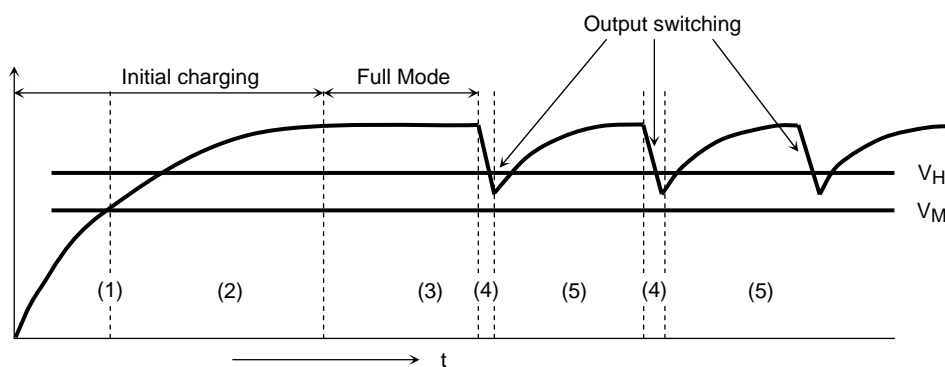
$C_{cp1} = 0.22\ \mu\text{F}$, $C_{cp2} = 0.022\ \mu\text{F}$, $f_{chop} = 150\ \text{kHz}$

(Keep in mind that the temperatures of the charge pump capacitors change.)

Charge Pump Circuit Operation

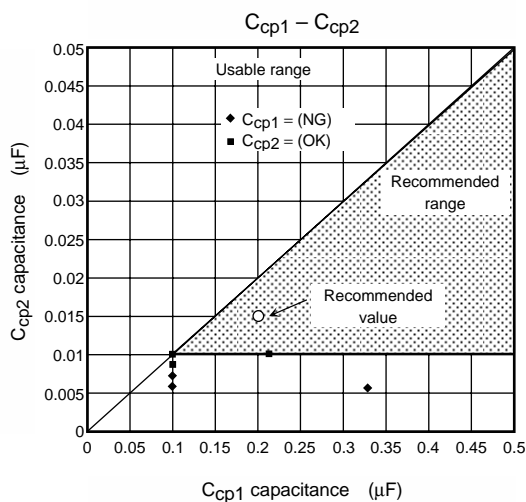


- At initial charging
 - (1) When the RESET circuit is released, Tr1 is turned on. Then Tr2 is turned off and Ccp2 is charged from the VM power supply via Di1.
 - (2) When Tr1 is turned off and Tr2 is turned on, Ccp1 is charged from Ccp2 via Di2.
 - (3) When the potential difference between VM and VH (Ccp A pin voltage = charge pump voltage) reaches VDD or higher, the operation of the charge pump circuit stops. (In Full Mode)
- When IC is operating
 - (4) Ccp1 charge is used at fchop switching and the VH potential drops.
 - (5) Charges up by (1) and (2) above.



External Constant of Charge Pump

When $V_{DD} = 5V$, $f_{chop} = 100\text{ kHz}$, and $L = 10\text{ mH}$ is driven with $V_M = 24\text{ V}$, $I_{out} = 1000\text{ mA}$, the theoretical values for C_{cp1} and C_{cp2} are as shown below:



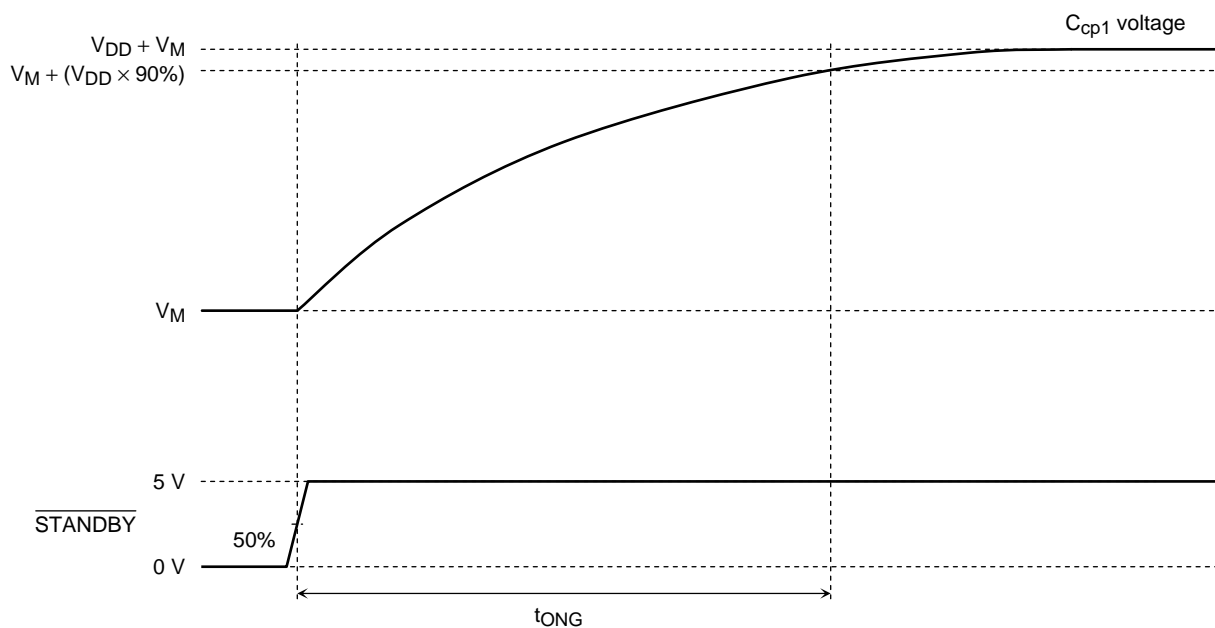
For the combination of C_{cp1} and C_{cp2} , please refer to the shaded area in the figure above.

Toshiba recommends the relation of $C_{cp1} : C_{cp2} \geq 10 : 1$.

When the values of C_{cp1} and C_{cp2} are specified, perform an adequate test and allow sufficient margins for the values.

Please use the recommended values of $C_{cp1} = 0.22\ \mu\text{F}$ and $C_{cp2} = 0.022\ \mu\text{F}$ for normal operation.

Startup Time of Charge Pump



t_{ONG} : Time taken for capacitor C_{cp2} (charging capacitor) to fill up C_{cp1} (capacitor used to save charge) to $V_M + V_{DD}$ after a reset is released.

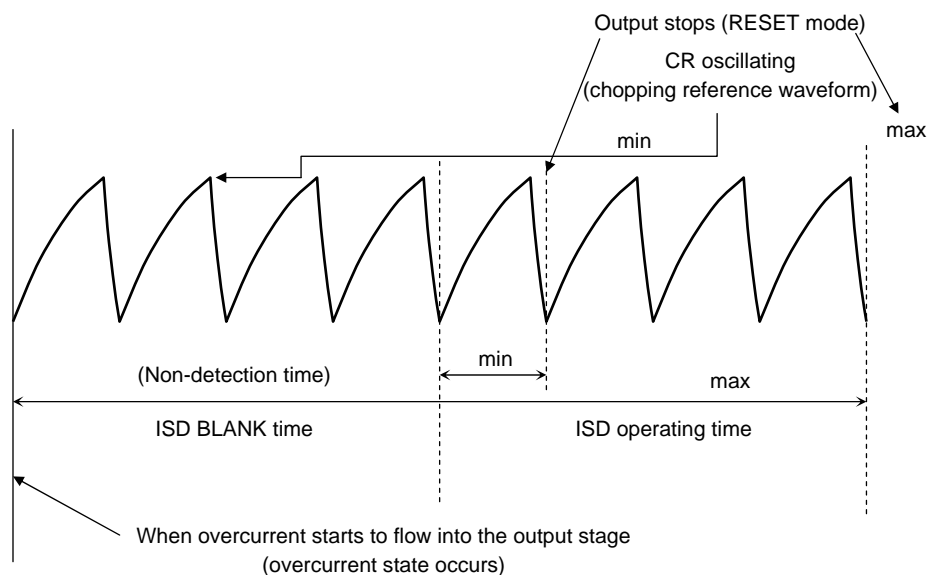
Until the voltage of C_{cp1} reaches $V_M + V_{DD}$, the motor and the DCDC converter do not operate normally. To prevent erroneous operations, the TB62205FG incorporates a protection circuit.

When the voltage of the charge pump is increased up to the specified level, the motor can operate standalone. However, the initial charging of the DCDC converter starts at this timing. Thus, the DCDC converter startup time should be included when the system startup time is set.

Basically, the larger the C_{cp1} capacitance, the longer the initial charge-up time but the smaller the voltage fluctuation.

The smaller the C_{cp1} capacitance, the shorter the initial charge-up time but the larger the voltage fluctuation.

Depending on the combination of capacitors (especially with small capacitance), voltage may not be sufficiently boosted. Thus, use the capacitors under the capacitor combination conditions ($C_{cp1} = 0.22 \mu\text{F}$, $C_{cp2} = 0.022 \mu\text{F}$) recommended by Toshiba.

Operating Time of Overcurrent Protection Circuit**ISD non-detection time and ISD operating time**

The overcurrent protection circuit has a non-detection time to prevent erroneous detection of spike current generated in diode recovery current (I_{RR}) or at switching. The non-detection time being synchronized with the CR cycle for setting chopping frequency is expressed as follows.

$$\text{Non-detection time} = 4 \times \text{CR cycle}$$

Time required to stop the output after overcurrent flows into the output stage is expressed as follows.

$$\text{Minimum time} = 5 \times \text{CR cycle}$$

$$\text{Maximum time} = 8 \times \text{CR cycle}$$

Note that the operating times as shown above are achieved when overcurrent flows as it is expected.

Depends on the timing of output control mode, the circuit may not be triggered.

Thus, to ensure safe operation, please insert a fuse in the V_M power supply.

(The capacity of the fuse is determined according to a condition to be used. Please select one whose capacity does not exceed the power dissipation for the IC to avoid any operating problems.)

Example of Application Operation Input Data (4-bit micro-step drive)

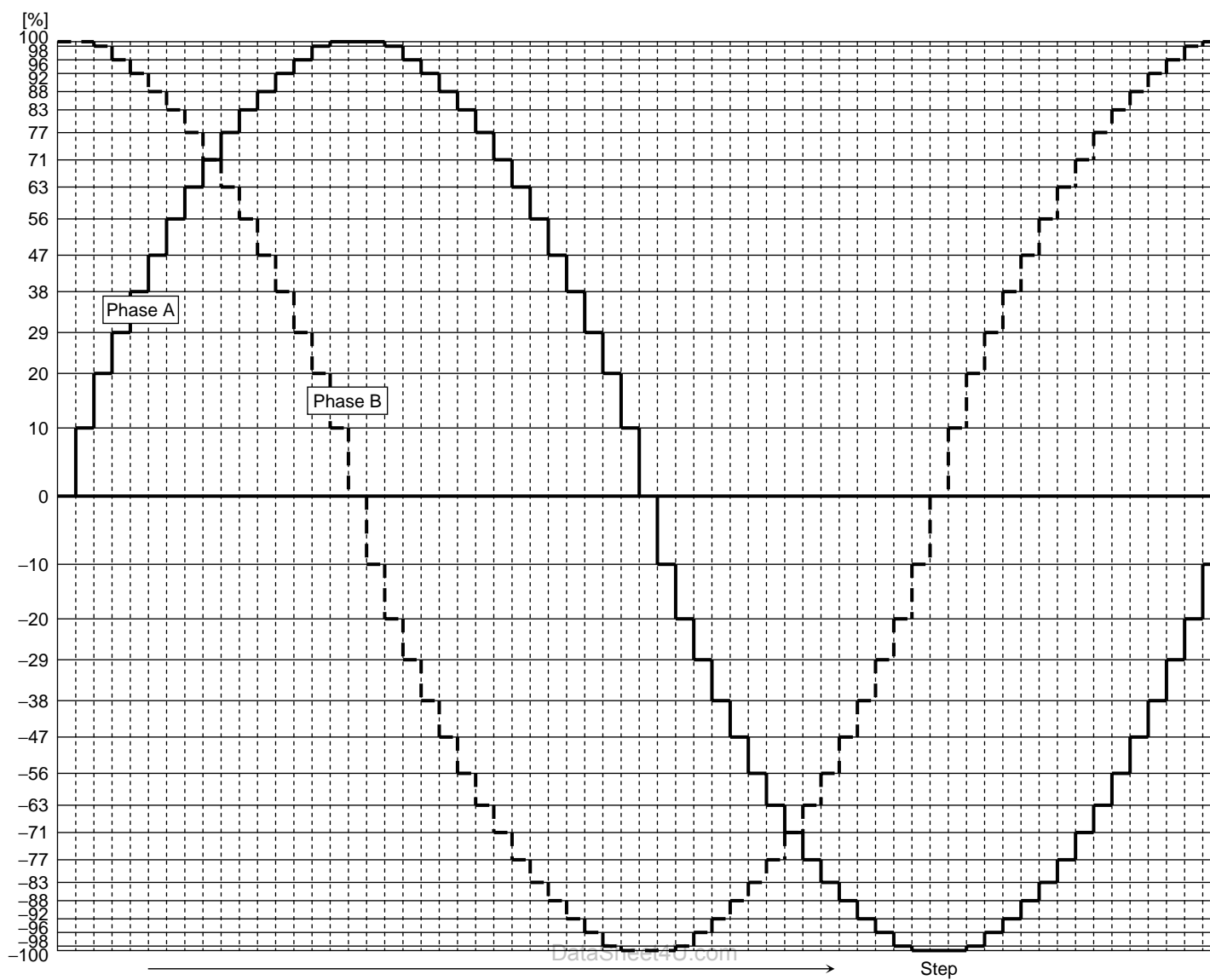
	Torque 0	Torque 1	Decay B ₀	Decay B ₁	B ₀	B ₁	B ₂	B ₃	Phase B	Decay A ₀	Decay A ₁	A ₀	A ₁	A ₂	A ₃	Phase A
Bit	15	14	13	12	11	10	9	8	7	6	5	4	3	2	1	0
1	1	1	1	0	1	1	1	1	1	1	0	0	0	0	0	1
2	1	1	1	0	1	1	1	1	1	1	0	1	0	0	0	1
3	1	1	1	0	0	1	1	1	1	1	0	0	1	0	0	1
4	1	1	1	0	1	0	1	1	1	1	0	1	1	0	0	1
5	1	1	1	0	0	0	1	1	1	1	0	0	0	1	0	1
6	1	1	1	0	1	1	0	1	1	1	0	1	0	1	0	1
7	1	1	1	0	0	1	0	1	1	1	0	0	1	1	0	1
8	1	1	1	0	1	0	0	1	1	1	0	1	1	1	0	1
9	1	1	1	0	0	0	0	1	1	1	0	0	0	0	1	1
10	1	1	1	0	1	1	1	0	1	1	0	1	0	0	1	1
11	1	1	1	0	0	1	1	0	1	1	0	0	1	0	1	1
12	1	1	1	0	1	0	1	0	1	1	0	1	1	0	1	1
13	1	1	1	0	0	0	1	0	1	1	0	0	0	1	1	1
14	1	1	1	0	1	1	0	0	1	1	0	1	0	1	1	1
15	1	1	1	0	0	1	0	0	1	1	0	0	1	1	1	1
16	1	1	1	0	1	0	0	0	1	1	0	1	1	1	1	1
17	1	1	1	0	0	0	0	0	1	1	0	1	1	1	1	1
18	1	1	1	0	0	0	0	0	0	1	0	1	1	1	1	1
19	1	1	1	0	1	0	0	0	0	1	0	1	1	1	1	1
20	1	1	1	0	0	1	0	0	0	1	0	0	1	1	1	1
21	1	1	1	0	1	1	0	0	0	1	0	1	0	1	1	1
22	1	1	1	0	0	0	1	0	0	1	0	0	0	1	1	1
23	1	1	1	0	1	0	1	0	0	1	0	1	1	0	1	1
24	1	1	1	0	0	1	1	0	0	1	0	0	1	0	1	1
25	1	1	1	0	1	1	1	0	0	1	0	1	0	0	1	1
26	1	1	1	0	0	0	0	1	0	1	0	0	0	0	1	1
27	1	1	1	0	1	0	0	1	0	1	0	1	1	1	0	1
28	1	1	1	0	0	1	0	1	0	1	0	0	1	1	0	1
29	1	1	1	0	1	1	0	1	0	1	0	1	0	1	0	1
30	1	1	1	0	0	0	1	1	0	1	0	0	0	1	0	1
31	1	1	1	0	1	0	1	1	0	1	0	1	1	0	0	1
32	1	1	1	0	0	1	1	1	0	1	0	0	1	0	0	1
33	1	1	1	0	1	1	1	1	0	1	0	1	0	0	0	1
34	1	1	1	0	1	1	1	1	0	1	0	0	0	0	0	1

	Torque 0	Torque 1	Decay B ₀	Decay B ₁	B ₀	B ₁	B ₂	B ₃	Phase B	Decay A ₀	Decay A ₁	A ₀	A ₁	A ₂	A ₃	Phase A
Bit	15	14	13	12	11	10	9	8	7	6	5	4	3	2	1	0
35	1	1	1	0	1	1	1	1	0	1	1	0	0	0	0	0
36	1	1	1	0	1	1	1	1	0	1	1	1	0	0	0	0
37	1	1	1	0	0	1	1	1	0	1	1	0	1	0	0	0
38	1	1	1	0	1	0	1	1	0	1	1	1	1	0	0	0
39	1	1	1	0	0	0	1	1	0	1	1	0	0	1	0	0
40	1	1	1	0	1	1	0	1	0	1	1	1	0	1	0	0
41	1	1	1	0	0	1	0	1	0	1	1	0	1	1	0	0
42	1	1	1	0	1	0	0	1	0	1	1	1	1	1	0	0
43	1	1	1	0	0	0	0	1	0	1	1	0	0	0	1	0
44	1	1	1	0	1	1	1	0	0	1	1	1	0	0	1	0
45	1	1	1	0	0	1	1	0	0	1	1	0	1	0	1	0
46	1	1	1	0	1	0	1	0	0	1	1	1	1	0	1	0
47	1	1	1	0	0	0	1	0	0	1	1	0	0	1	1	0
48	1	1	1	0	1	1	0	0	0	1	1	1	0	1	1	0
49	1	1	1	0	0	1	0	0	0	1	1	0	1	1	1	0
50	1	1	1	0	1	0	0	0	0	1	1	1	1	1	1	0
51	1	1	1	0	0	0	0	0	0	1	1	1	1	1	1	0
52	1	1	1	0	0	0	0	0	1	1	0	1	1	1	1	0
53	1	1	1	0	1	0	0	0	1	1	0	1	1	1	1	0
54	1	1	1	0	0	1	0	0	1	1	0	0	1	1	1	0
55	1	1	1	0	1	1	0	0	1	1	0	1	0	1	1	0
56	1	1	1	0	0	0	1	0	1	1	0	0	0	1	1	0
57	1	1	1	0	1	0	1	0	1	1	0	1	1	0	1	0
58	1	1	1	0	0	1	1	0	1	1	0	0	1	0	1	0
59	1	1	1	0	1	1	1	0	1	1	0	1	0	0	1	0
60	1	1	1	0	0	0	0	1	1	1	0	0	0	0	1	0
61	1	1	1	0	1	0	0	1	1	1	0	1	1	1	0	0
62	1	1	1	0	0	1	0	1	1	1	0	0	1	1	0	0
63	1	1	1	0	1	1	0	1	1	1	0	1	0	1	0	0
64	1	1	1	0	0	0	1	1	1	1	0	0	0	1	0	0
65	1	1	1	0	1	0	1	1	1	1	0	1	1	0	0	0
66	1	1	1	0	0	1	1	1	1	1	0	0	1	0	0	0
67	1	1	1	0	1	1	1	1	1	1	0	1	0	0	0	0
68	1	1	1	0	1	1	1	1	1	1	0	0	0	0	0	0

Data are applied on the rising edge of CLK. Every input of a data string (16-bit) requires input of the Strobe signal. For the function of the input signals, please refer to the section "Function".

In the above input data example, Decay Mode has a Mixed Decay mode (37.5%) setting for both the rising and falling directions of the sine wave, and a torque setting of 100%.

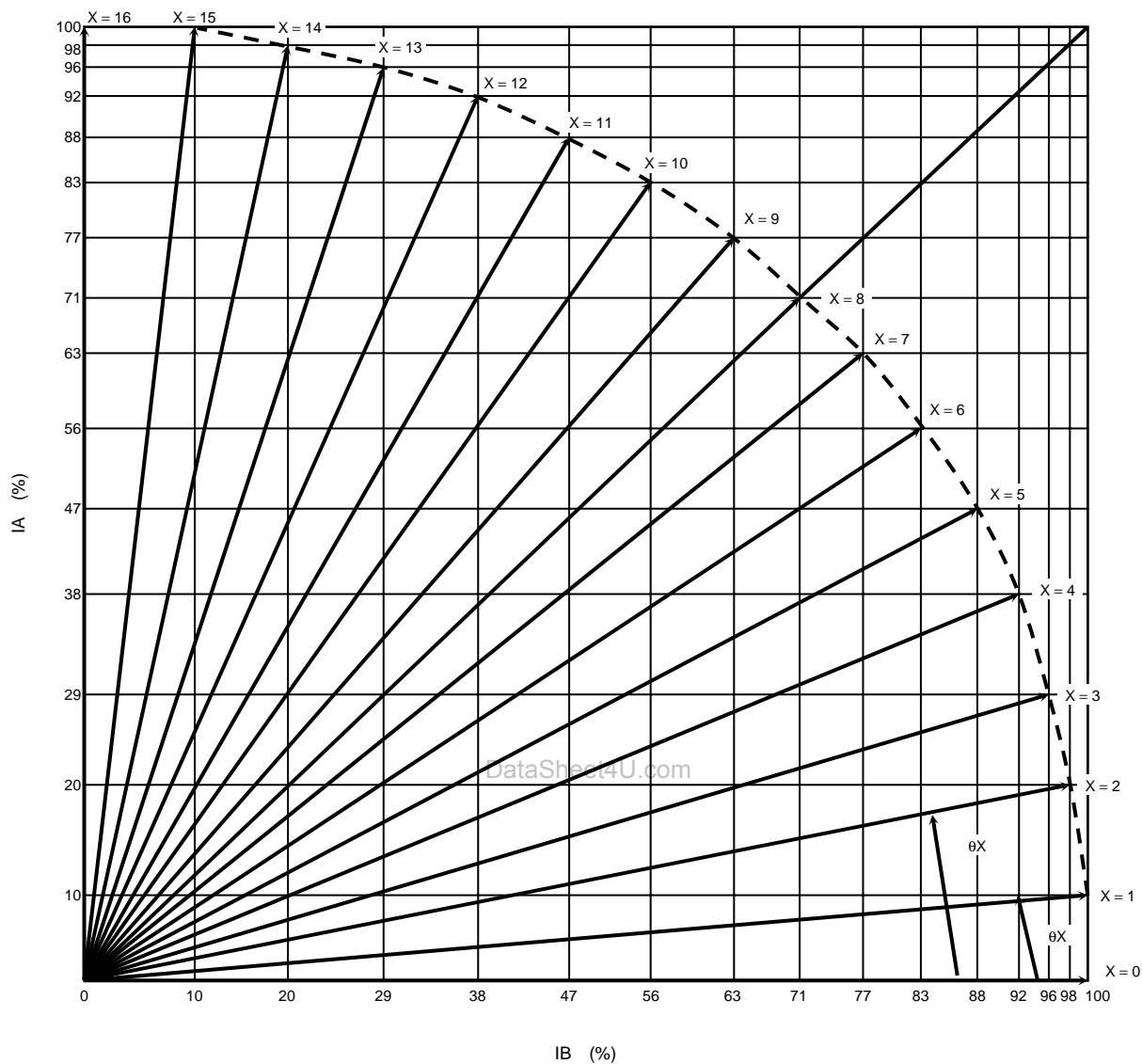
4W 1-2 Phase Excitation Output Current Waveform (4-bit micro-step drive)



17-step micro-step drive from 0° to 90° can be achieved by combining Current DATA (AB and CD) and phase data.

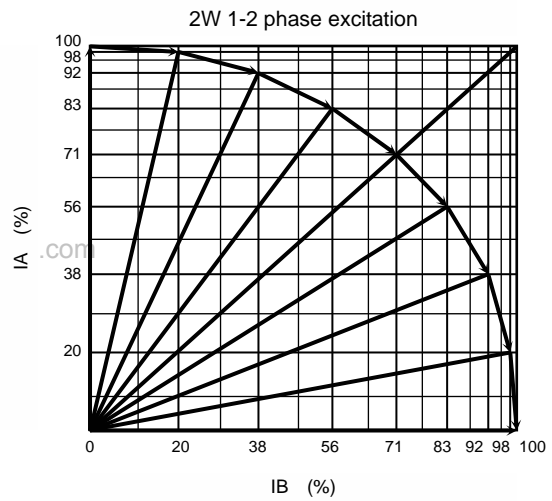
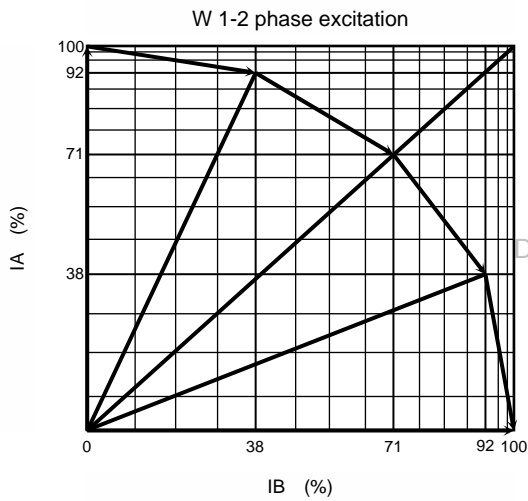
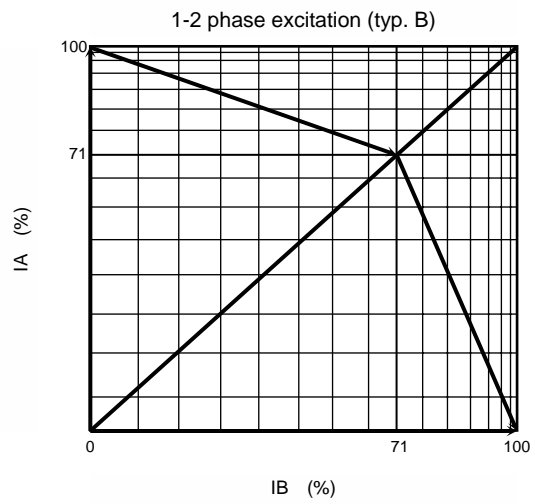
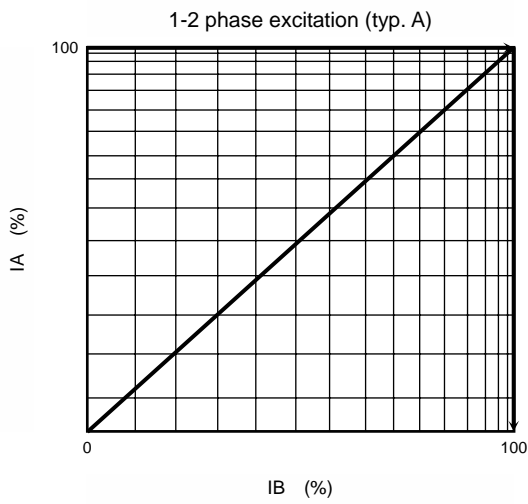
For the input current data, please refer to "Current A0 to A3 and B0 to B3" in the section "Function".

Depending on the load, the optimum condition changes for selecting Mixed Decay Mode when the sine wave rises and falls. Select the appropriate Mixed Decay timing according to the load.

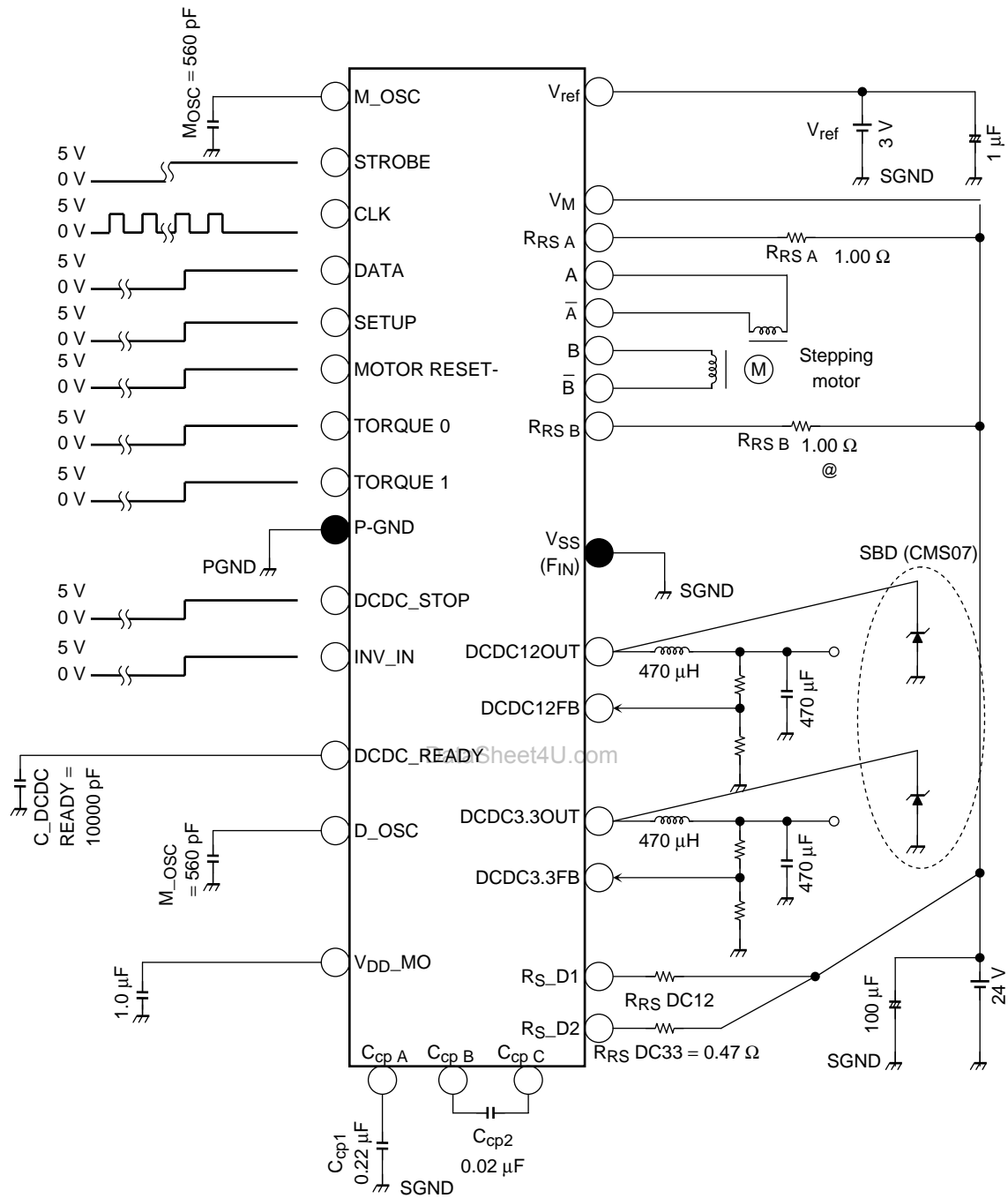
Output Current Vector Locus**4W 1-2 Phase Excitation (4-bit micro-step drive)**

For the input data, please refer to the "Function" column in the "Current" row in the section "Function".

Output Vector Locus 2 (Modes other than 4 W 1-2 phase)



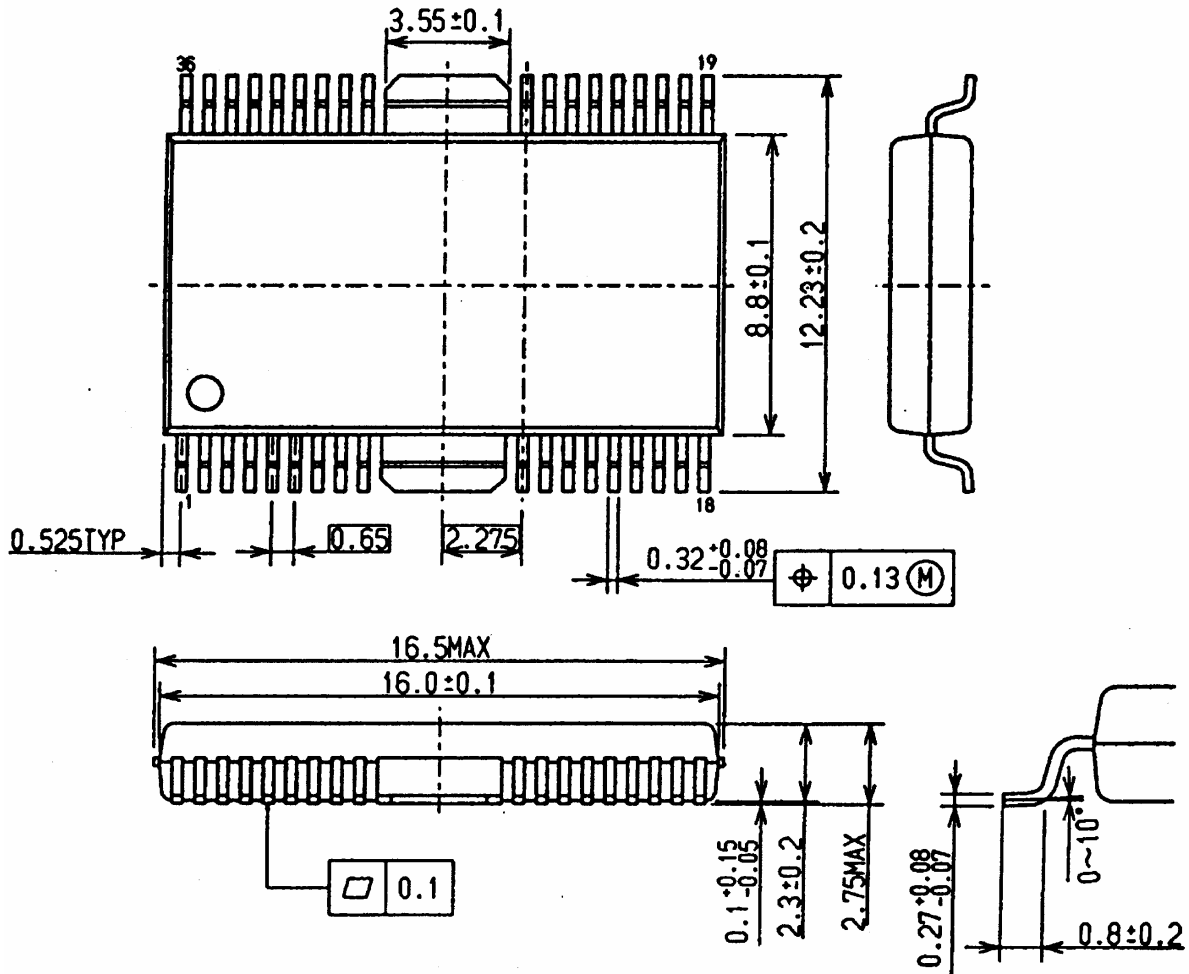
Application Circuit



Package Dimensions

HSOP36-P-450-0.65

Unit: mm



Weight: 0.79 g (typ.)

RESTRICTIONS ON PRODUCT USE

030619EBA

- The information contained herein is subject to change without notice.
- The information contained herein is presented only as a guide for the applications of our products. No responsibility is assumed by TOSHIBA for any infringements of patents or other rights of the third parties which may result from its use. No license is granted by implication or otherwise under any patent or patent rights of TOSHIBA or others.
- TOSHIBA is continually working to improve the quality and reliability of its products. Nevertheless, semiconductor devices in general can malfunction or fail due to their inherent electrical sensitivity and vulnerability to physical stress. It is the responsibility of the buyer, when utilizing TOSHIBA products, to comply with the standards of safety in making a safe design for the entire system, and to avoid situations in which a malfunction or failure of such TOSHIBA products could cause loss of human life, bodily injury or damage to property.
In developing your designs, please ensure that TOSHIBA products are used within specified operating ranges as set forth in the most recent TOSHIBA products specifications. Also, please keep in mind the precautions and conditions set forth in the "Handling Guide for Semiconductor Devices," or "TOSHIBA Semiconductor Reliability Handbook" etc..
- The TOSHIBA products listed in this document are intended for usage in general electronics applications (computer, personal equipment, office equipment, measuring equipment, industrial robotics, domestic appliances, etc.). These TOSHIBA products are neither intended nor warranted for usage in equipment that requires extraordinarily high quality and/or reliability or a malfunction or failure of which may cause loss of human life or bodily injury ("Unintended Usage"). Unintended Usage include atomic energy control instruments, airplane or spaceship instruments, transportation instruments, traffic signal instruments, combustion control instruments, medical instruments, all types of safety devices, etc.. Unintended Usage of TOSHIBA products listed in this document shall be made at the customer's own risk.
- The products described in this document are subject to the foreign exchange and foreign trade laws.
- TOSHIBA products should not be embedded to the downstream products which are prohibited to be produced and sold, under any law and regulations.